

ELECTRICAL SPECIFICATIONS:

1.0	TURNS RATIO (P6-P5-P4) : (J6-J3)	: 1CT : 1 ± 3%	NOT
	(P3-P2-P1) : (J2-J1)	: 1.25CT : 1 ± 3%	1.0 CD
2.0	INDUCTANCE (P6-P4)	: 350uH MIN. @ 0.1V , 100KHz, 8mA DC Bias	
	(P3-P1)	: 350uH MIN. @ 0.1V, 100KHz, 8mA DC Bias	
3.0	LEAKAGE INDUCTANCE P6-P4 (WITH J6 AND J3 SHORT)	: 0.3 MAX. @ 1MHz	
	P3-P1 (WITH J2 AND J1 SHORT)	: 0.3 MAX. @ 1MHz	
4.0	INTERWINDING CAPACITANCE (P6,P5,P4) TO (J6,J3)	: 25pf MAX @ 1MHz	
	(P3,P2,P1) TO (J2,J1)	: 25pf MAX. @ 1MHz	
5.0	DC RESISTANCE (J6-J3)=(J2-J1)	: 1.2 ohms Max.	

6.0 RETURN LOSS:

1MHz TO 30MHz : 18dB  
60MHz TO 80MHz : 12dB

NOTE: 100 OHMS CONNECTED TO (J2-J1) OR (J6-J3).

7.0 VOLTAGE WITHSTAND:

(J1, J2) TO (P1, P3) : 1500  
(J3, J6) TO (P4,P6) : 1500

8.0 INSERTION LOSS: RS=RL=100 ohms

100KHz TO 100MHz 1.1 dB

9.0 RISE TIME: RS=100 OHMS AND RL = 100 OHMS

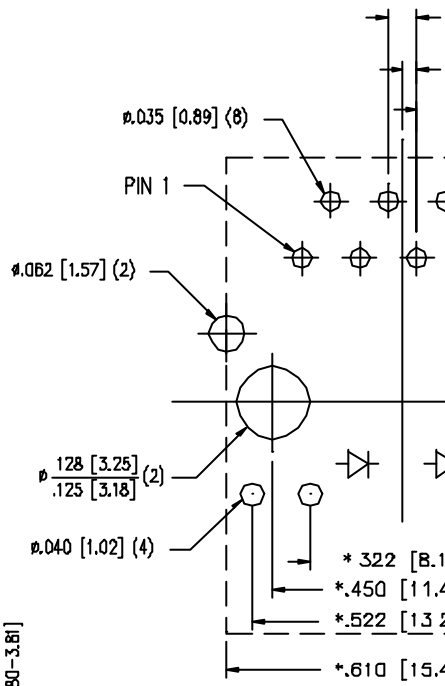
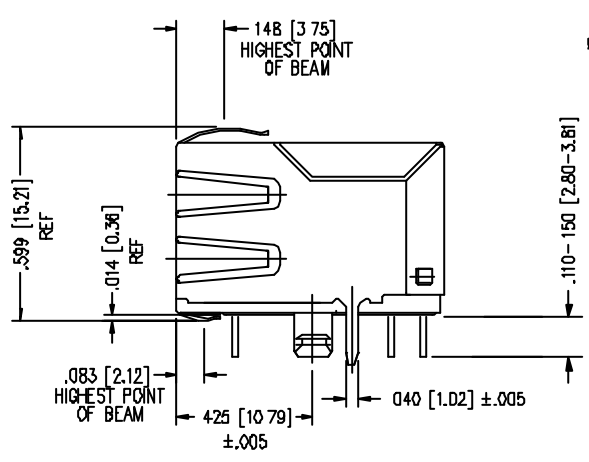
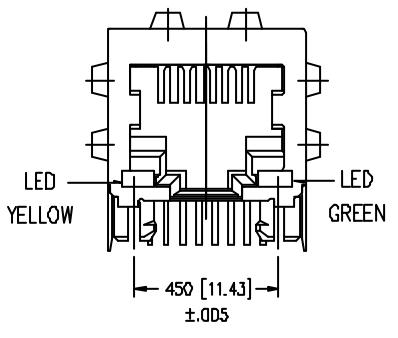
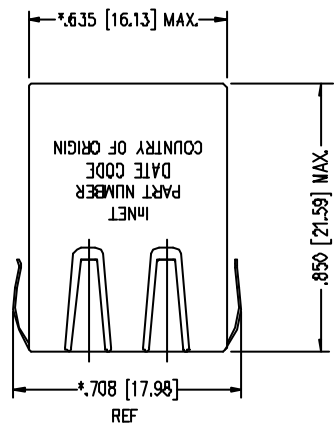
OUTPUT VOLTAGE = 1 V peak 3.0 nS  
PULSE WIDTH= 112nS 3.0 nS

10.0 CROSS TALK:

1MHz TO 100MHz 40 dB

11.0 COMMON TO COMMON MODE ATTENUATION:

30MHz TO 100MHz 35dB



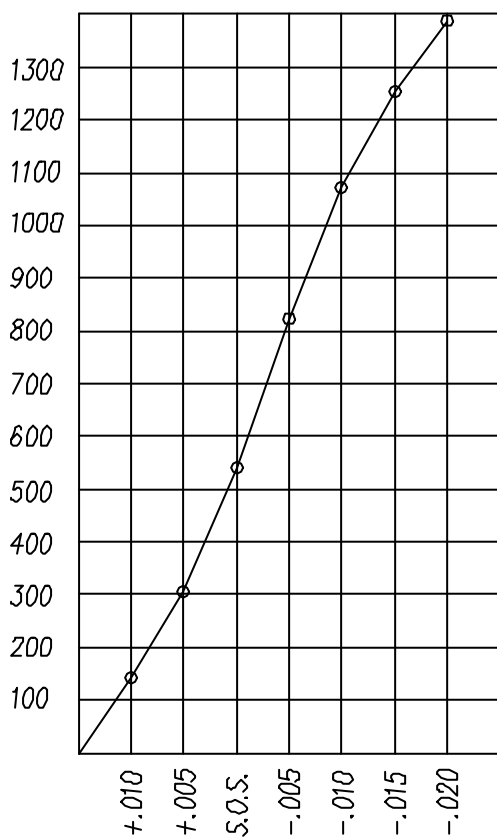
P.C.B. RECOMMENDED  
SEEN FROM COMPO  
TOLERANCE  $\pm 0.003$  [0.08] UNLESS

- NOTES:
- TOLERANCES COMPLY WITH F.C.C. DIMENSION REQUIREMENTS
  - DIMENSIONS SHOWN WITH "\*" TO BE CENTRAL ABOUT CENTER LINE
  - DIMENSIONS SHOWN ARE SUBJECT TO CHANGE WITHOUT NOTICE
  - PIN NOT ELECTRICALLY CONNECTED MAYBE OMITTED. SEE ELECTRICAL DRAWING FOR OMITTED PINS.
  - STANDARD 50 MICRO-INCH SELECTIVE GOLD PLATING.

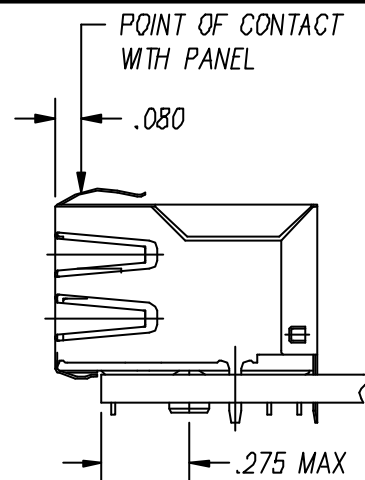
LED SPECIFICATIONS

	YELLOW	GREEN
- COLOR:	YELLOW	GREEN
- FORWARD VOLTAGE(20mA) :	2.5v (MAX)	2.5v (MAX)
- FORWARD VOLTAGE(20mA) :	2.1v (TYP)	2.2v (TYP)
- POWER DISSIPATION :	105mW	105mW
- WAVE LENGTH:	590nm	565nm
- LUMINOUS INTENSITY (10mA) :	2-8 MCD	8-32 MCD

InNet  
http://  
Stewart  
http://  
SHEET  
3 OF 4



PANEL GROUNDING BEAM DEFLECTION  
S.O.S. = SUGGESTED OPENING SIZE



THE SUGGESTED PANEL OPENING IS INTENDED TO GIVE THE USER THE ABILITY TO HAVE REASONABLE JACK / PANEL CLEARANCES YET MAINTAIN RELIABLE GROUNDING CAPABILITY. THESE VARIABLES CAN BE ADJUSTED IN EITHER DIRECTION BUT MAY CARRY SOME CONSEQUENCES IN THE FORM OF LOWER MATING FORCES OR TIGHTER ASSEMBLY TOLERANCES. FORCE VALUES ON THE GRAPH ARE GENERAL AVERAGES TAKEN AT THE POINT OF CONTACT SHOWN ABOVE. THE SUGGESTED PANEL OPENING INCLUDES APPROXIMATELY .020 CLEARANCE ON THE SIDES AND TOP AND .013 ON THE BOTTOM, AT PANEL OPENING.

