

ELECTRICAL SPECIFICATIONS:

- | | | | |
|-----|---------------------------|------------------------------|--|
| 1.0 | URNS RATIO: | (P6-P5-P4) : (J6-J3) | : 1CT : 1CT ± 3% |
| | | (P3-P2-P1) : (J2-J1) | : 1CT : 1.41CT ± 3% |
| 2.0 | INDUCTANCE: | (P6-P4) | : 350uH MIN. @ 0.1V, 100KHZ, 8mA DC Bias |
| | | (P3-P1) | : 350uH MIN. @ 0.1V, 100KHZ, 8mA DC Bias |
| 3.0 | LEAKAGE INDUCTANCE: | P6-P4 (WITH J6 AND J3 SHORT) | : 0.3uH MAX. @ 1MHZ |
| | | P3-P1 (WITH J2 AND J1 SHORT) | : 0.3uH MAX. @ 1MHZ |
| 4.0 | INTERWINDING CAPACITANCE: | (P6,P5,P4) TO (J6,J3) | : 30pf TYP. @ 1MHZ |
| | | (P3,P2,P1) TO (J2,J1) | : 30pf TYP. @ 1MHZ |
| 5.0 | DC RESISTANCE: | (J6-J3)=(J2-J1) | : 1.2 ohms Max. |

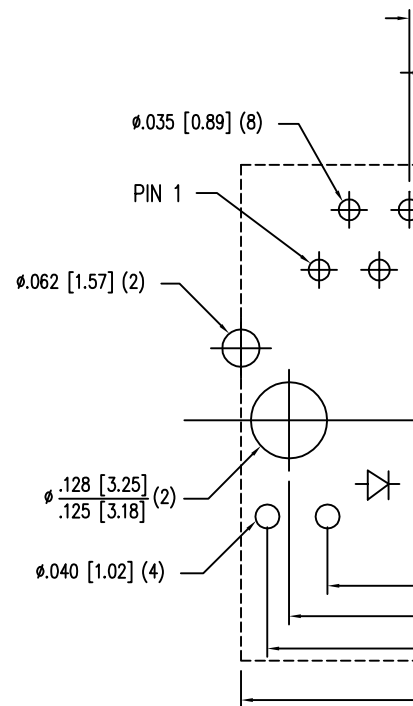
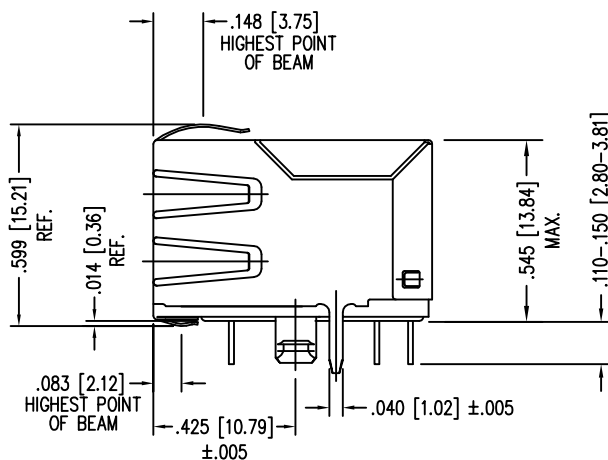
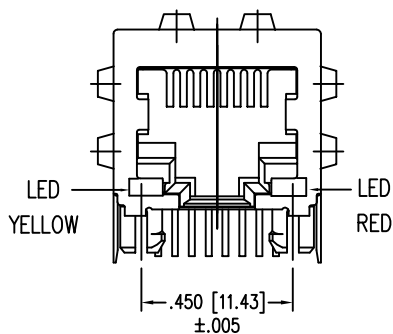
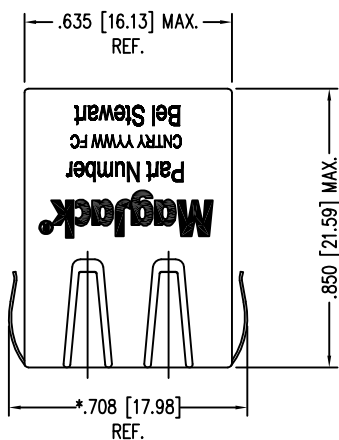
NOTE
1.0 F
CON

Bel Stewart C
11118 Susquehanna
Glen Rock, Pa 1732
717.234.7512

THIS DRAWING AND THE SUBJECT MATTER SHOWN THEREON ARE CONFIDENTIAL AND PROPERTY OF BEL STEWART CONNECTOR AND SHALL NOT BE REPRODUCED, COPIED, OR USED IN ANY MANNER WITHOUT PRIOR WRITTEN CONTENT OF BEL STEWART CONNECTOR. THE SUBJECT MATTER MAY BE PATENTED OR A PATENT MAY BE PENDING.

SHEET
1 OF 4

	<u>RECEIVE</u>	<u>TRANSMIT</u>
6.0 RETURN LOSS: 1MHz TO 30MHz 60MHz TO 80MHz NOTE: 100 OHMS CONNECTED TO (J2-J1) OR (J6-J3).	: 18dB MIN. : 12dB MIN.	12dB MIN.
7.0 DIELECTRIC WITHSTAND: (J1, J2) TO (P1, P3) (J3, J6) TO (P4,P6)	: 1500 VAC : 1500 VAC	1500 VAC 1500 VAC
8.0 INSERTION LOSS: RS=RL=100 ohms 100KHz TO 100MHz	: 1.1 dB TYP	1.1 dB TYP
9.0 RISE TIME: RS=100 OHMS AND RL = 100 OHMS OUTPUT VOLTAGE = 1 V peak PULSE WIDTH= 112nS	: 3.0 nS MAX : 3.0 nS MAX	3.0 nS MAX 3.0 nS MAX
10.0 CROSS TALK: 1MHz TO 100MHz	: 40 dB TYP	40 dB TYP
11.0 COMMON TO COMMON MODE ATTENUATION: 30MHz TO 100MHz	: 35dB TYP	35dB TYP



P.C.B. RECOMMENDED
SEEN FROM C
TOLERANCE $\pm .003 [0.08]$

NOTES:

- CONNECTOR MATERIALS:
HOUSING: THERMOPLASTIC UL94 V-0
CONTACT/SHIELD: COPPER ALLOY
SHIELD PLATING: NICKEL OR TIN
CONTACT PLATING: SELECTIVE GOLD,
50 MICRO-INCHES MIN. IN CONTACT AREA.
- PIN NOT ELECTRICALLY CONNECTED MAYBE OMITTED.
SEE ELECTRICAL DRAWING FOR OMITTED PINS.
- TOLERANCES COMPLY WITH F.C.C. DIMENSION REQUIREMENTS.
- THE SUGGESTED PANEL OPENING IS INTENDED TO GIVE
USER THE ABILITY TO HAVE REASONABLE JACK/PANEL
CLEARANCES, YET MAINTAIN GROUNDING CAPABILITY.

LED SPECIFICATION			
STANDARD LED	WAVELENGTH	* Forward V (MAX)	(TYP)
YELLOW	590 nm	2.5 V	2.1 V
RED	625 nm	2.5 V	2.0 V

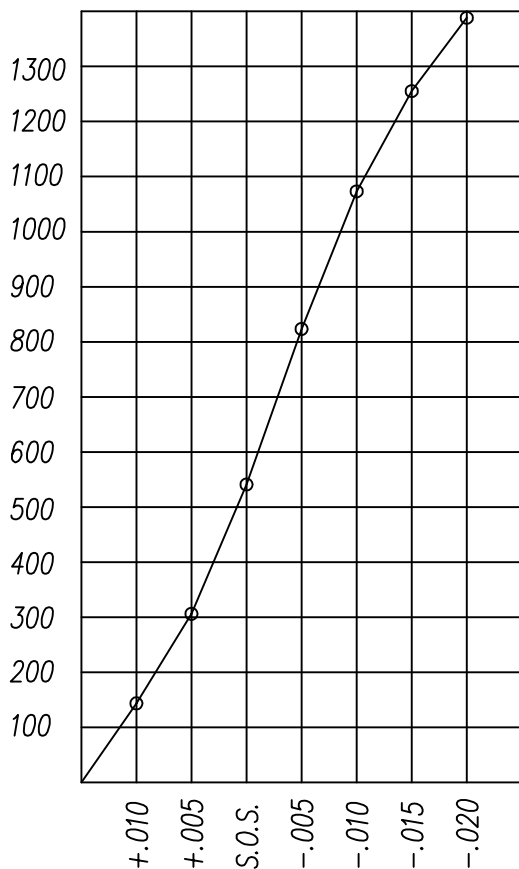
*WITH A FORWARD CURRENT OF 20 mA

CT720034X1/24-0066

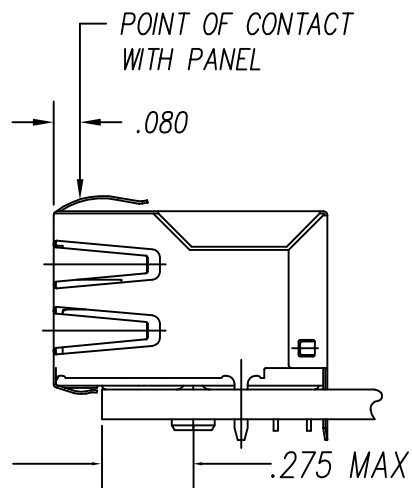
THIS DRAWING AND THE SUBJECT MATTER SHOWN THEREON ARE CONFIDENTIAL AND PROPERTY OF BEL STEWART CONNECTOR AND SHALL NOT BE REPRODUCED, COPIED, OR USED IN ANY MANNER WITHOUT PRIOR WRITTEN CONTENT OF BEL STEWART CONNECTOR. THE SUBJECT MATTER MAY BE PATENTED OR A PATENT MAY BE PENDING.

Bel Stewart C
11118 Susquehanna
Glen Rock, Pa 1732
717.234.7512

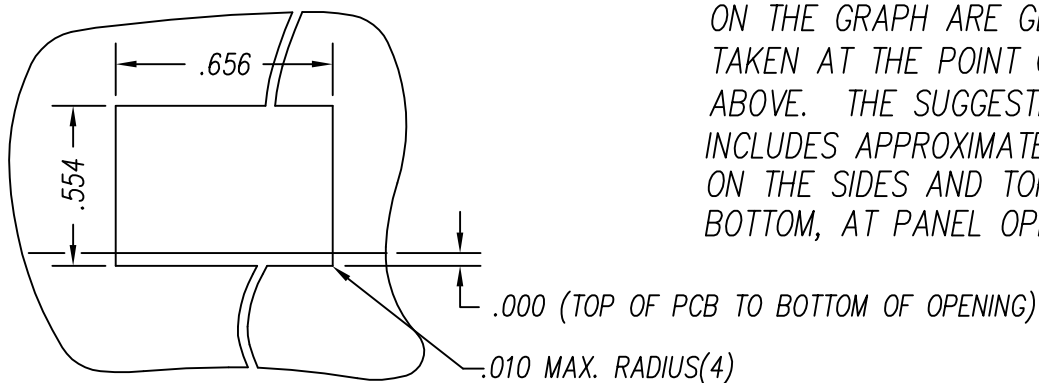
SHEET
3 OF 4



PANEL GROUNDING BEAM DEFLECTION
S.O.S. = SUGGESTED OPENING SIZE



THE SUGGESTED PANEL OPENING IS INTENDED TO GIVE THE USER THE ABILITY TO HAVE REASONABLE JACK / PANEL CLEARANCES YET MAINTAIN RELIABLE GROUNDING CAPABILITY. THESE VARIABLES CAN BE ADJUSTED IN EITHER DIRECTION BUT MAY CARRY SOME CONSEQUENCES IN THE FORM OF LOWER MATING FORCES OR TIGHTER ASSEMBLY TOLERANCES. FORCE VALUES ON THE GRAPH ARE GENERAL AVERAGES TAKEN AT THE POINT OF CONTACT SHOWN ABOVE. THE SUGGESTED PANEL OPENING INCLUDES APPROXIMATELY .020 CLEARANCE ON THE SIDES AND TOP AND .013 ON THE BOTTOM, AT PANEL OPENING.



SUGGESTED PANEL OPENING

CT720034X1/24-001302

Bel Stewart C
11118 Susquehanna
Glen Rock, Pa 1732
717.234.7512