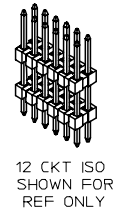
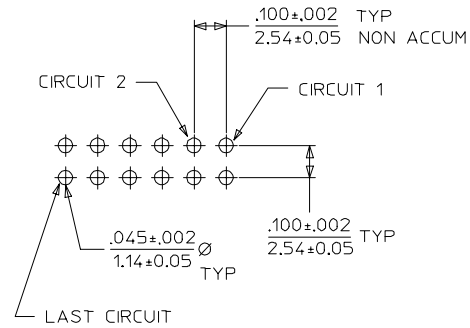
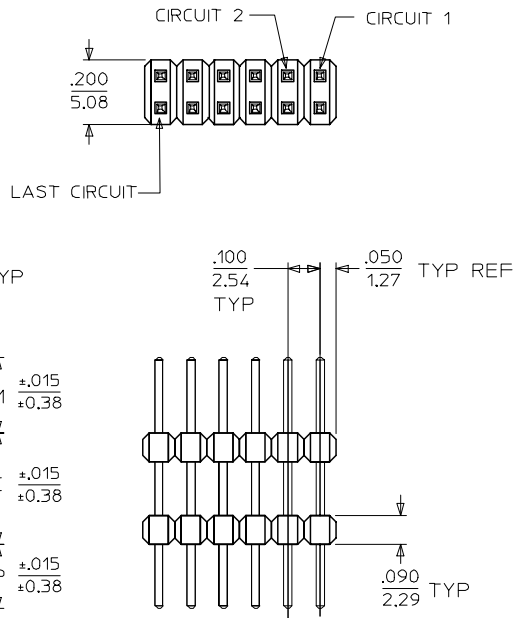


NOTES:

- MATERIAL:  
 OPTION 1: POLYESTER, UL 94 V-0, COLOR: BLACK  
 OPTION 2: LIQUID CRYSTAL POLYMER, 30% GLASS FILLED, UL94 V-0, COLOR: BLACK  
 PIN: .025/0.64 SQ PIN: PHOSPHOR BRONZE
- FINISH: FOR ADDITIONAL PLATING INFORMATION SEE SDES-88.  
 (154)- OVERALL TIN: .000100/0.00254 MIN. OVER NICKEL: .000050/0.00127 MIN.  
 (208)- SELECT GOLD: .000015/0.00038 MIN.  
 SELECT TIN: .000100/0.00254 MIN.  
 WITH OVERALL NICKEL UNDERPLATE: .000050/0.00127 MIN.  
 (228)- SELECT GOLD: .000030/0.00076 MIN.  
 SELECT TIN: .000100/0.00254 MIN.  
 WITH OVERALL NICKEL UNDERPALTE: .000050/0.00127 MIN.  
 \*THE PRIMARY SHIPPING CARTON WILL BE LABELED 'COMPLIANT TO RoHS DIRECTIVE 2002/95/EC 'AND ELV ANNEX II OF DIRECTIVE 2000/53/EC, AND CARTONS WITHOUT THIS LABEL MAY CONTAIN PRODUCT WITH TIN-LEAD PLATING.
- PRODUCT SPECIFICATION: NONE
- PACKAGING INFORMATION: PK-68312-001
- PARTS ARE NOT STACKABLE ON .100/2.54 CENTERS



PCB LAYOUT: COMPONENT SIDE  
 RECOMMENDED PCB THICKNESS: 1.57/.062

GENERAL DOC	3	E18
GENERAL DOC	2	E18
ME10	1	E18

ADD 68312-2034 EC NO: UCP2005-2380 DRAWN: ADERR 2005/04/27 CHKD: 2005/04/28 APPR: FSM:TH 2005/04/28	QUALITY SYMBOLS ▽=0 ▽7=0	GENERAL TOLERANCES (UNLESS SPECIFIED)		DIMENSION STYLE IN/MM		SCALE ---	DESIGN UNITS INCH	THIRD ANGLE PROJECTION																
		<table border="1"> <tr> <th></th> <th>mm</th> <th>INCH</th> </tr> <tr> <td>4 PLACES</td> <td>± ---</td> <td>± ---</td> </tr> <tr> <td>3 PLACES</td> <td>± ---</td> <td>± .005</td> </tr> <tr> <td>2 PLACES</td> <td>± 0.13</td> <td>± .010</td> </tr> <tr> <td>1 PLACE</td> <td>± 0.25</td> <td>± ---</td> </tr> </table>			mm	INCH	4 PLACES	± ---	± ---	3 PLACES	± ---	± .005	2 PLACES	± 0.13	± .010	1 PLACE	± 0.25	± ---	DRAWN BY: SAMIEC DATE: 2000/11/03		TITLE: CUSTOM HEADER .100 DUAL ROW / DUAL BODY		MOLEX INCORPORATED	
			mm	INCH																				
		4 PLACES	± ---	± ---																				
3 PLACES	± ---	± .005																						
2 PLACES	± 0.13	± .010																						
1 PLACE	± 0.25	± ---																						
ANGULAR ±1/2°		CHECKED BY: SAMIEC DATE: 2000/11/03		APPROVED BY: EDGLEY DATE: 2000/11/03																				
DRAFT WHERE APPLICABLE MUST REMAIN WITHIN DIMENSIONS		MATERIAL NO. SEE CHART		DOCUMENT NO. SD-68312-001		SHEET NO. 1 OF 3																		



# CUSTOM HEADER

68312

MATERIAL NO	PLT REF	DIM M	DIM C	DIM P	FINAL # OF CKTS	VOID CKT#	KINKED PIN	PACK PER	HEADER MATERIAL
68312-1001	208	.245 6.22	.200 5.08	.120 3.05	72	NONE	NONE	PK-68312-001	POLYESTER
68312-1003	208	.425 10.80	.750 19.05	.090 2.29	10	NONE	NONE	PK-68312-001	POLYESTER
68312-1005	208	.276 7.00	.531 13.50	.143 3.63	30	NONE	NONE	PK-68312-001	POLYESTER
68312-2000	208	.230 5.84	1.100 27.94	.100 2.54	36	NONE	NONE	PK-68312-001	POLYESTER
68312-2001	154	5.84 8.00	1.080 19.94	.120 3.05	30	NONE	NONE	PK-68312-001	POLYESTER
68312-2002	154	.315 8.00	.785 19.94	.135 3.43	20	NONE	ES-68308-998	PK-68312-001	POLYESTER
68312-2003	208	.240 6.10	.285 7.24	.100 2.54	12	NONE	NONE	PK-68312-001	POLYESTER
68312-2004	561	.355 9.02	.590 14.99	.355 9.02	40	NONE	NONE	PK-68312-001	POLYESTER
68312-2006	208	.240 6.10	.350 8.89	.100 2.54	12	NONE	NONE	PK-68312-001	POLYESTER
68312-2007	208	.240 6.10	1.157 29.39	.103 2.62	20	NONE	NONE	PK-68312-001	POLYESTER
68312-2008	208	.118 3.00	.219 5.56	.118 3.00	4	NONE	NONE	PK-68312-001	POLYESTER
68312-2009	154	.225 5.72	.795 20.19	.110 2.79	4	NONE	NONE	PK-68312-001	POLYESTER
68312-2010	208	.255 6.48	.370 9.40	.105 2.67	8	NONE	NONE	PK-68312-001	POLYESTER
68312-2011	208	6.10 6.10	.470 11.94	.120 3.05	32	NONE	NONE	PK-68312-001	POLYESTER
68312-2012	154	.262 6.65	.626 15.90	.262 6.65	10	NONE	NONE	PK-68312-001	POLYESTER
68312-2013	208	.265 6.73	.500 12.70	.110 2.79	42	NONE	NONE	PK-68312-001	POLYESTER
68312-2014	228	.325 8.26	.700 17.78	.125 3.18	50	NONE	NONE	PK-68312-001	POLYESTER
68312-2015	154	.275 6.99	.287 7.29	.123 3.12	40	NONE	NONE	PK-68312-001	POLYESTER
68312-2016	228	.370 9.40	.450 11.43	.110 2.79	30	NONE	NONE	PK-68312-001	POLYESTER
68312-2017	228	.290 7.37	.400 10.16	.110 2.79	20	NONE	NONE	PK-68312-001	POLYESTER
68312-2018	228	.256 6.50	.384 9.75	.110 2.79	8	NONE	NONE	PK-68312-001	POLYESTER
68312-2019	228	.320 8.13	.500 12.70	.110 2.79	80	NONE	NONE	PK-68312-001	POLYESTER
68312-2020	154	.240 6.10	.285 7.24	.125 3.18	8	NONE	NONE	PK-68312-001	POLYESTER
68312-2021	228	.370 9.40	.450 11.43	.110 2.79	50	NONE	NONE	PK-68312-001	POLYESTER
68312-2022	208	.300 7.62	.235 5.97	.130 3.30	28	NONE	NONE	PK-68312-001	POLYESTER
68312-2023	228	.296 7.52	.119 3.02	.350 8.89	12	NONE	NONE	PK-68312-001	POLYESTER
10-88-2023									

REVISION: Revision Data:

TITLE: CUSTOM HEADER 100 CENTER

SHEET No.

**E18**

EC: UCP2005-2380

DATE: 04/28/2005

BREAKAWAY  
DUAL ROW / DUAL BODY

2

DOCUMENT NUMBER:

SD-68312-001

CREATED / REVISED BY:

ADERR

CHECKED BY:

ELHAG

APPROVED BY:

FSMITH



# CUSTOM HEADER

68312

MATERIAL NO	PLT REF	DIM M	DIM C	DIM P	FINAL # OF CKTS	VOID CKT#	KINKED PIN	PACK PER	HEADER MATERIAL
68312-2024	208	.225 5.72	.395 10.03	.100 2.54	12	NONE	NONE	PK-68312-001	POLYESTER
68312-2025	154	.118 3.00	.740 18.80	.118 3.00	50	NONE	NONE	PK-68312-001	LCP
68312-2026	208	.370 9.40	.450 11.43	.110 2.79	16	NONE	NONE	PK-68312-001	POLYESTER
68312-2027	208	.370 9.40	.450 11.43	.110 2.79	50	NONE	NONE	PK-68312-001	POLYESTER
68312-2028	154	.090 2.29	.475 12.07	.090 2.29	12	NONE	NONE	PK-68312-001	POLYESTER
68312-0005	208	.500 12.70	.500 12.70	.110 2.79	40	NONE	NONE	PK-68312-001	POLYESTER
68318-0005	208	.500 12.70	.500 12.70	.110 2.79	40	NONE	NONE	PK-68312-001	POLYESTER
68312-2029	154	.250 6.35	.250 6.35	.100 2.54	10	NONE	NONE	PK-68312-001	POLYESTER
68312-2030	154	.235 5.97	.350 8.89	.100 2.54	8	NONE	NONE	PK-68312-001	POLYESTER
68312-2031	208	.355 9.02	.710 18.03	.200 5.08	60	NONE	NONE	PK-68312-001	POLYESTER
68312-2032	154	.319 8.10	.450 11.43	.126 3.20	80	NONE	NONE	PK-68312-001	POLYESTER
68312-2033	154	.410 10.41	.184 4.67	.126 3.20	8	NONE	NONE	PK-68312-001	POLYESTER
68312-2034	154	.232 5.89	.300 7.62	.113 2.87	14	NONE	NONE	PK-68312-001	POLYESTER

REVISION: Revision Data: TITLE: CUSTOM HEADER 100 CENTER SHEET No.

**E18** EC: UCP2005-2380  
 DATE: 04/28/2005  
 BREAKAWAY  
 DUAL ROW / DUAL BODY

DOCUMENT NUMBER: SD-68312-001  
 CREATED / REVISED BY: ADERR  
 CHECKED BY: ELHAG  
 APPROVED BY: FSMITH