



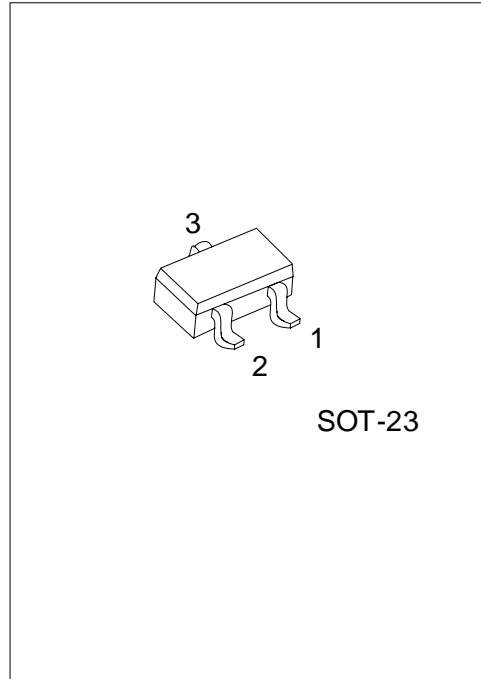
MMBT5551

NPN EPITAXIAL SILICON TRANSISTOR

HIGH VOLTAGE SWITCHING TRANSISTOR

FEATURES

- * High Collector-Emitter Voltage:
V_{CEO}=160V
- * High current gain



*Pb-free plating product number:MMBT5551L

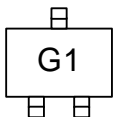
www.DataSheet4U.com

ORDERING INFORMATION

Order Number		Package	Pin Assignment			Packing
Normal	Lead Free Plating		1	2	3	
MMBT5551-x-AE3-6-R	MMBT5551L-x-AE3-6-R	SOT-23	E	B	C	Tape Reel

<p>MMBT5551L-x-AE3-6-R</p> <p>(1)Packing Type (2)Pin Assignment (3)Package Type (4)Rank (5)Lead Plating</p>	<p>(1) R: Tape Reel (2) refer to Pin Assignment (3) AE3: SOT-23 (4) x: refer to Classification of h_{FE} (5) L: Lead Free Plating, Blank: Pb/Sn</p>
---	---

MARKING



MMBT5551

NPN EPITAXIAL SILICON TRANSISTOR

■ ABSOLUTE MAXIMUM RATINGS (Ta = 25 °C)

PARAMETER	SYMBOL	RATINGS	UNIT
Collector -Base Voltage	V_{CBO}	180	V
Collector -Emitter Voltage	V_{CEO}	160	V
Emitter -Base Voltage	V_{EBO}	6	V
DC Collector Current	I_C	600	mA
Power Dissipation	P_D	350	mW
Operating and Storage Junction Temperature	T_J, T_{STG}	-55 ~ +150	

Note Absolute maximum ratings are those values beyond which the device could be permanently damaged.

Absolute maximum ratings are stress ratings only and functional device operation is not implied.

■ ELECTRICAL CHARACTERISTICS (Ta= 25 °C, unless otherwise specified)

PARAMETER	SYMBOL	TEST CONDITIONS	MIN	TYP	MAX	UNIT
Collector-Base Breakdown Voltage	V_{CBO}	$I_C=100\mu A, I_E=0$	180			V
Collector-Emitter Breakdown Voltage	V_{CEO}	$I_C=1mA, I_B=0$	160			V
Emitter-Base Breakdown Voltage	V_{EBO}	$I_E=10\mu A, I_C=0$	6			V
Collector Cut-off Current	I_{CBO}	$V_{CB}=120V, I_E=0$			50	nA
Emitter Cut-off Current	I_{EBO}	$V_{BE}=4V, I_C=0$			50	nA
DC Current Gain(note)	h_{FE}	$V_{CE}=5V, I_C=1mA$ $V_{CE}=5V, I_C=10mA$ $V_{CE}=5V, I_C=50mA$	80 80 80	160	400	
Collector-Emitter Saturation Voltage	$V_{CE(SAT)}$	$I_C=10mA, I_B=1mA$ $I_C=50mA, I_B=5mA$			0.15 0.2	V
Base-Emitter Saturation Voltage	$V_{BE(SAT)}$	$I_C=10mA, I_B=1mA$ $I_C=50mA, I_B=5mA$			1 1	V
Current Gain Bandwidth Product	f_T	$V_{CE}=10V, I_C=10mA, f=100MHz$	100		300	MHz
Output Capacitance	C_{ob}	$V_{CB}=10V, I_E=0, f=1MHz$			6.0	pF
Noise Figure	N_F	$I_C=0.25mA, V_{CE}=5V$ $R_S=1k\Omega, f=10Hz \sim 15.7kHz$			8	dB

Note: Pulse test: PW<300μs, Duty Cycle<2%

■ CLASSIFICATION OF h_{FE}

RANK	A	B	C
RANGE	80-170	150-240	200-400

TYPICAL CHARACTERISTICS

Fig.1 Collector Output Capacitance

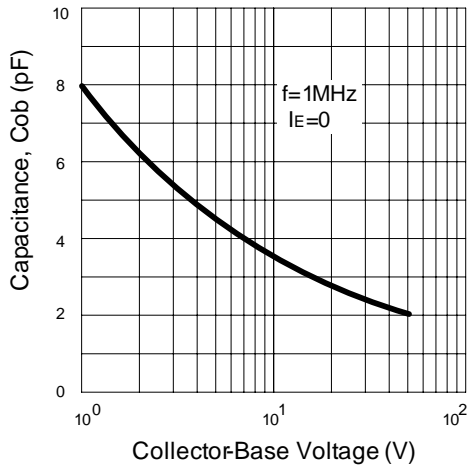


Fig.2 DC Current Gain

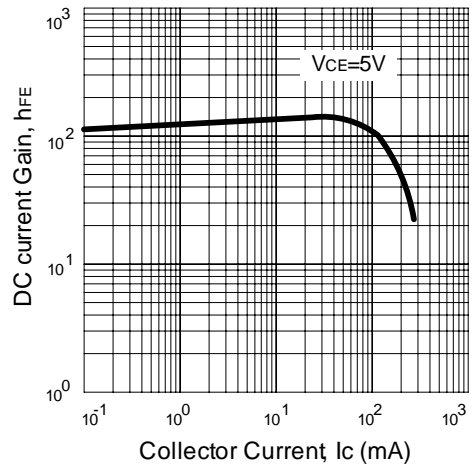


Fig.3 Base-Emitter on Voltage

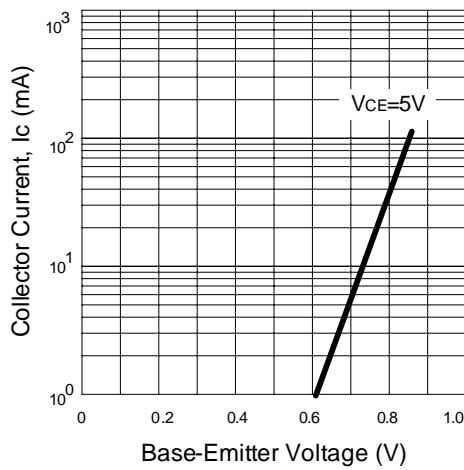


Fig.4 Saturation Voltage

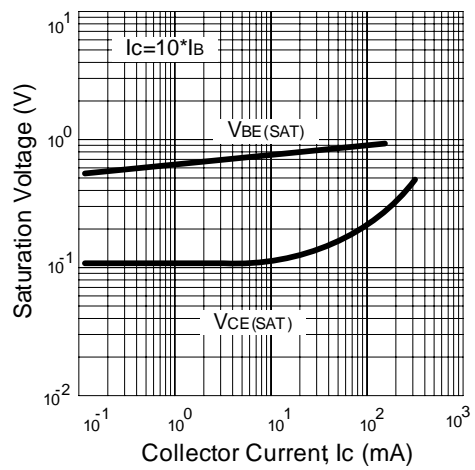
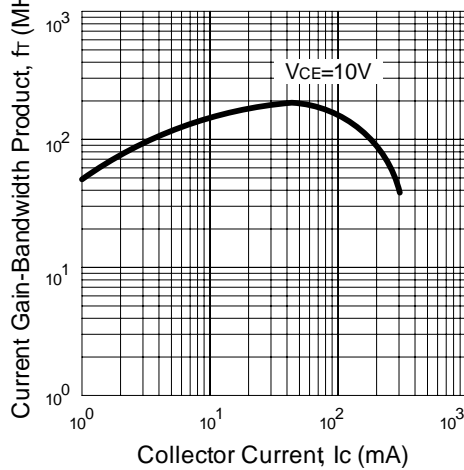


Fig.5 Current Gain-Bandwidth Product



UTC assumes no responsibility for equipment failures that result from using products at values that exceed, even momentarily, rated values (such as maximum ratings, operating condition ranges, or other parameters) listed in products specifications of any and all UTC products described or contained herein. UTC products are not designed for use in life support appliances, devices or systems where malfunction of these products can be reasonably expected to result in personal injury. Reproduction in whole or in part is prohibited without the prior written consent of the copyright owner. The information presented in this document does not form part of any quotation or contract, is believed to be accurate and reliable and may be changed without notice.