

# Customer Information Sheet

DRAWING No.: M22-202XXXX

SHEET 2 OF 2

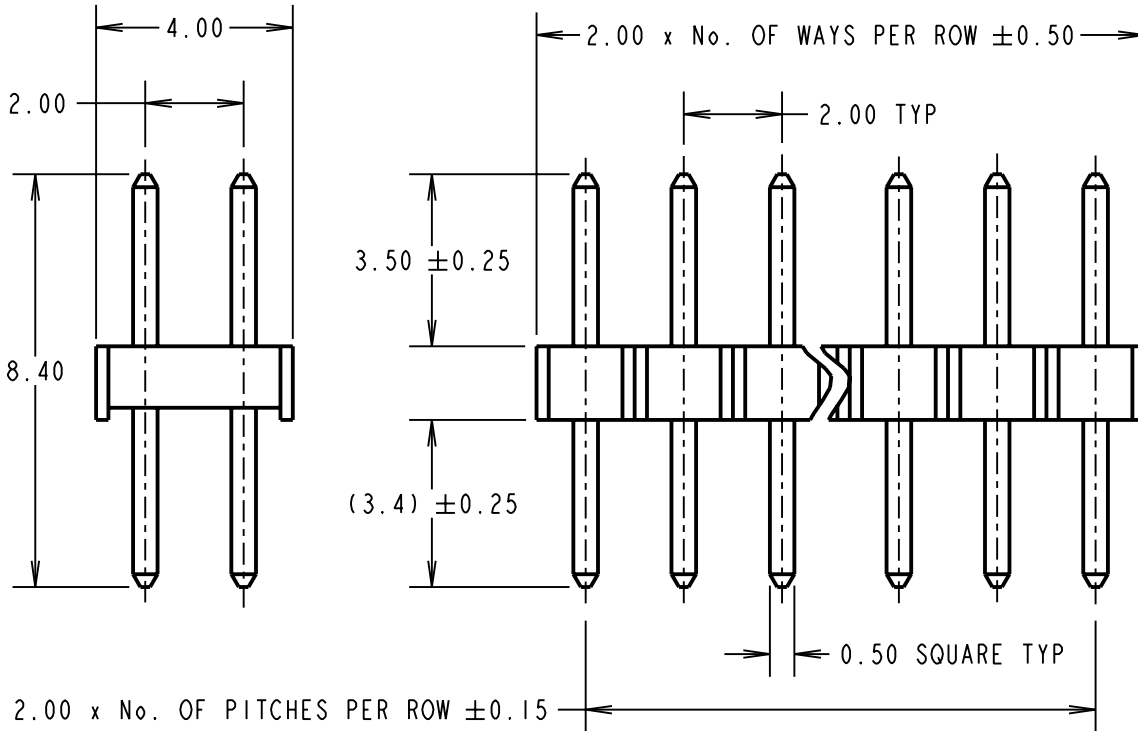
IF IN DOUBT - ASK

©

NOT TO SCALE

THIRD ANGLE PROJECTION

ALL DIMENSIONS IN mm



**SPECIFICATIONS:**

**MATERIAL:**

MOULDING = NYLON 6T, UL94V-0, BLACK  
CONTACTS = PHOSPHOR BRONZE

**FINISH:**

05 = GOLD  
46 = 100% TIN

**ELECTRICAL:**

CURRENT RATING = 1A  
VOLTAGE PROOF = 650V AC  
CONTACT RESISTANCE (INITIAL) = 15 mΩ MAX (GOLD), 20 mΩ MAX (TIN)  
CONTACT RESISTANCE (AFTER CONDITIONING) = 20 mΩ MAX (GOLD), 30 mΩ MAX (TIN)

INSULATION RESISTANCE (INITIAL) = 1,000 MΩ MIN  
INSULATION RESISTANCE (AFTER CONDITIONING) = 100 MΩ MIN

**MECHANICAL:**

DURABILITY = 300 OPERATIONS (GOLD), 50 OPERATIONS (TIN)  
INSERTION FORCE = 2N MAX  
WITHDRAWAL FORCE = 0.3N MIN

**ENVIRONMENTAL:**

TEMPERATURE RANGE = -55°C TO +105°C

**PACKING:**

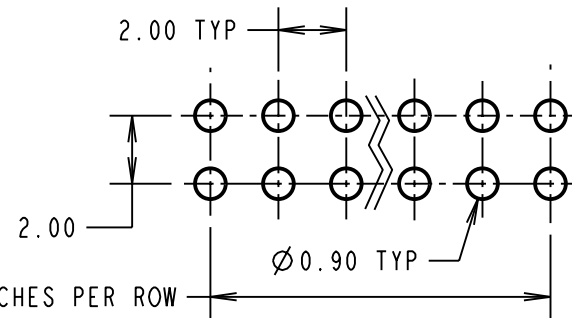
BAG

FOR COMPLETE SPECIFICATION, SEE COMPONENT SPECIFICATION C018XX (LATEST ISSUE)

**NOTES:**

1. ALL TOLERANCES ARE ±0.20 UNLESS OTHERWISE STATED.

**RECOMMENDED PCB LAYOUT**



ORDER CODE:

**M22-202XXXX**

No. OF WAYS PER ROW  
02-50

FINISH

05 = GOLD  
46 = 100% TIN

CP	9	23.12.09	10623
NAME	ISS.	DATE	C/NOTE
APPROVED:		C. PENROSE	
CHECKED:		R. ADDE	
DRAWN:		P. D. COLLINS	
CUSTOMER REF.:			
ASSEMBLY DRG:			

**HARWIN**

THIS DRAWING AND ANY INFORMATION OR DESCRIPTIVE MATTER SET OUT HEREON ARE CONFIDENTIAL AND COPYRIGHT PROPERTY OF THE HARWIN GROUP AND MUST NOT BE DISCLOSED, LOANED, COPIED OR USED FOR MANUFACTURING, TENDERING OR FOR ANY OTHER PURPOSE WITHOUT THEIR WRITTEN PERMISSION.

**TOLERANCES**

~~X. = ±1mm  
X.X = ±0.25mm  
X.XX = ±0.10mm  
X.XXX = ±0.01mm~~

ANGLES = ±5°

UNLESS STATED

**MATERIAL:**

SEE ABOVE

**FINISH:**

SEE ABOVE

**S/AREA:**

mm<sup>2</sup>

**TITLE:**

2.00mm PITCH DIL VERTICAL PIN HEADER ASSEMBLY

**DRAWING NUMBER:**

**M22-202XXXX**

HARWIN USA  
TEL: 603 893 5376  
FAX: 603 893 5396  
mis@harwin.com

HARWIN Europe (UK)  
TEL: 023 9231 4545  
FAX: 023 9231 4590  
mis@harwin.co.uk

HARWIN Asia  
TEL: +65 6 779 4909  
FAX: +65 6 779 3868  
mis@harwin.com.sg

SHT  
2 OF  
2