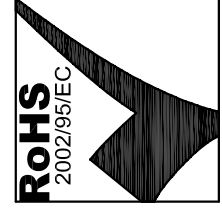


ELECTRICAL SPECIFICATIONS:

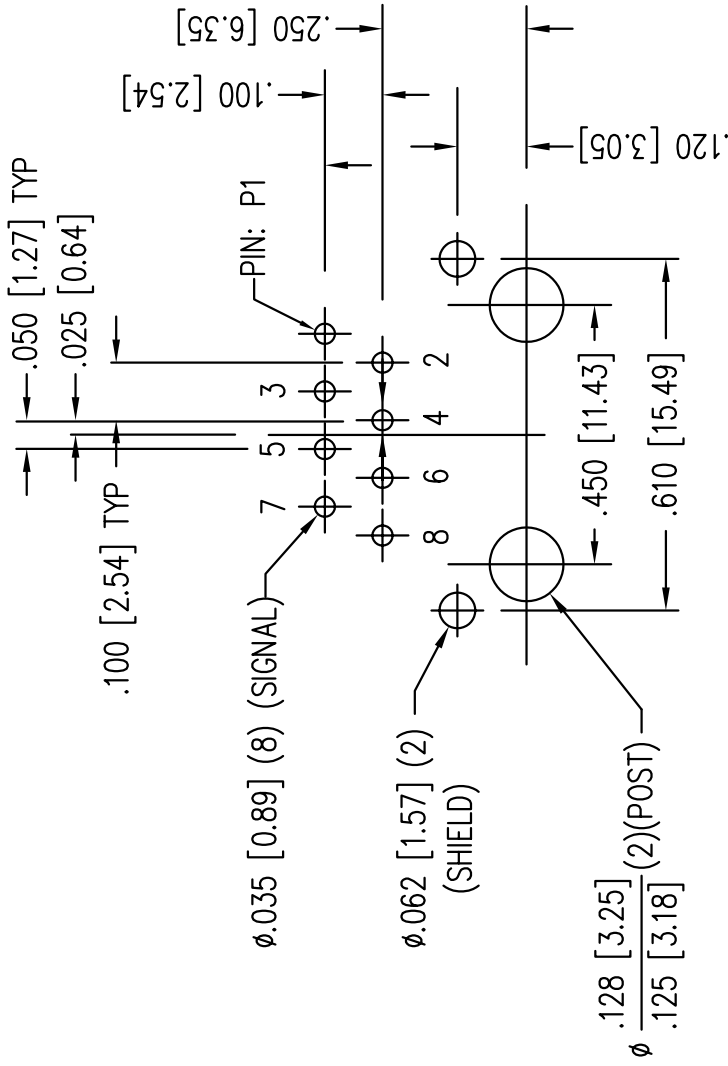
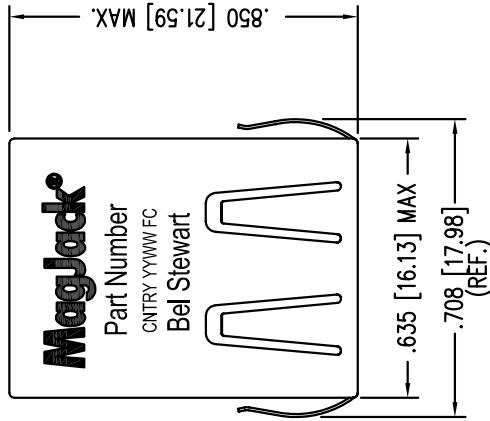
- 1.0 TURNS RATIO: {P6-P8-P3} : {J6-J3} : 1CT : 1 +/--3%
- {P2-P7-P1} : {J2-J1} : 1CT : 2.5 +/--3%
- 2.0 INDUCTANCE: {P6-P3} : 200uH MIN. @ 0.01V, 10KHZ
- {P2-P1} : 35uH MIN. @ 0.01V, 10KHZ
- 3.0 LEAKAGE INDUCTANCE: P6-P3 (WITH J6 AND J3 SHORT) : 0.3uH MAX. @ 1MHZ
- P2-P1 (WITH J2 AND J1 SHORT) : 0.3uH MAX. @ 1MHZ
- 4.0 INTERWINDING CAPACITANCE: {P6,P3} TO {J6,J3} : 10pf MAX @ 1MHZ
- {P2,P1} TO {J2,J1} : 10pf MAX. @ 1MHZ
- 5.0 DC RESISTANCE: {J6-J3}={J2-J1} : 1.0 ohms Max.
- {P6-P8}={P8-P3} : 0.3 ohms Max.
- {P2-P7}={P7-P1} : 0.3 ohms Max.
- 6.0 DIELECTRIC WITHSTAND: {P6,P3} TO {J6,J3} : 1500VAC
- {P2,P1} TO {J2,J1} : 1500VAC

NOTES

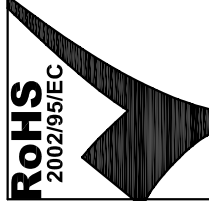
1.0 PINS WITHOUT ELECTRICAL CONNECTION ARE OMITTED.



THIS DRAWING AND THE SUBJECT MATTER SHOWN THEREON ARE CONFIDENTIAL AND PROPERTY OF BEL STEWART CONNECTOR AND SHALL NOT BE REPRODUCED, COPIED, OR USED IN ANY MANNER WITHOUT PRIOR WRITTEN CONTENT OF BEL STEWART CONNECTOR. THE SUBJECT MATTER MAY BE PATENTED OR A PATENT MAY BE PENDING.



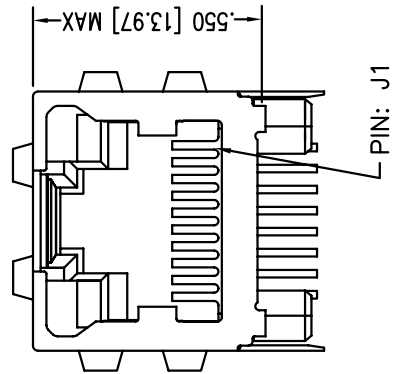
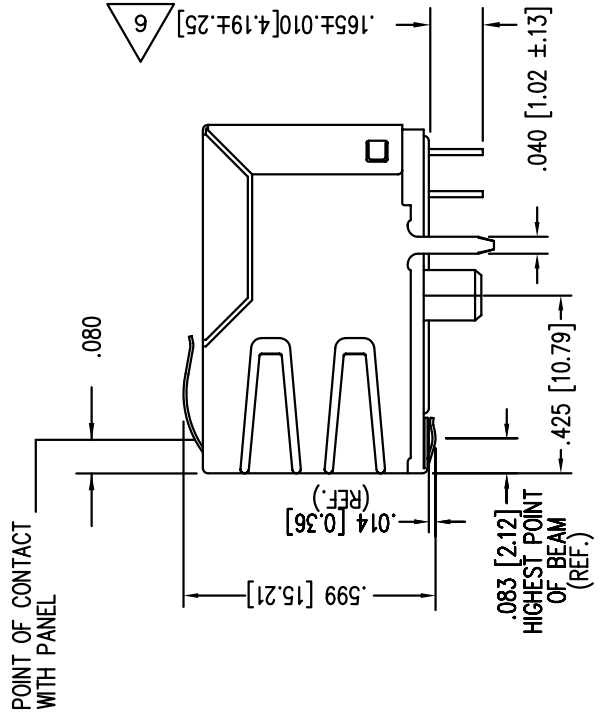
P.C.B. RECOMMENDED HOLE LAYOUT  
 SEEN FROM COMPONENT SIDE  
 TOLERANCE  $\pm 0.03$  [0.08] UNLESS OTHERWISE SPECIFIED



NOTES:

- CONNECTOR MATERIALS:  
 HOUSING: THERMOPLASTIC UL94 V-0  
 CONTACT/SHIELD: COPPER ALLOY  
 SHIELD PLATING: NICKEL OR TIN  
 CONTACT PLATING: SELECTIVE GOLD,  
 50 MICRO-INCHES MIN. IN CONTACT AREA.
- PIN NOT ELECTRICALLY CONNECTED MAYBE OMITTED.  
 SEE ELECTRICAL DRAWING FOR OMITTED PINS.
- TOLERANCES COMPLY WITH F.C.C. DIMENSION REQUIREMENTS.
- ALL TOLERANCES NOT OTHERWISE SPECIFIED TO BE  $\pm 0.005$  [0.13]
- REFLOW AND WAVE SOLDER COMPATIBLE -260°C FOR  
 10 SECONDS MAX.

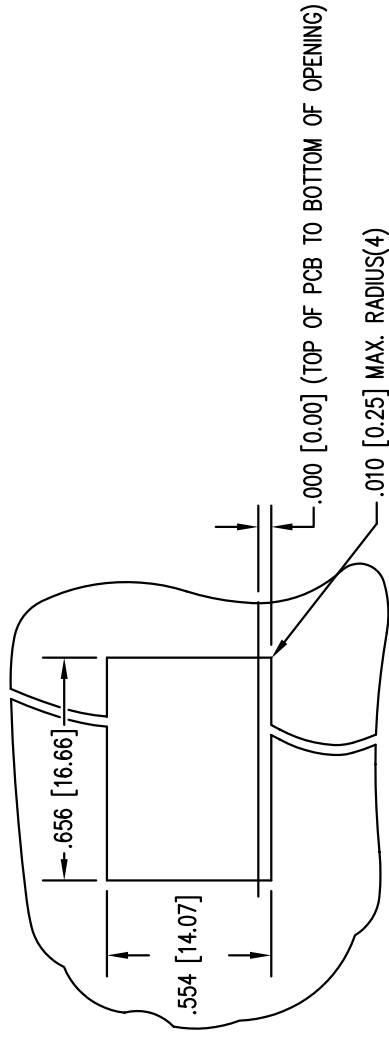
NOTE SPECIAL LEAD LENGTH



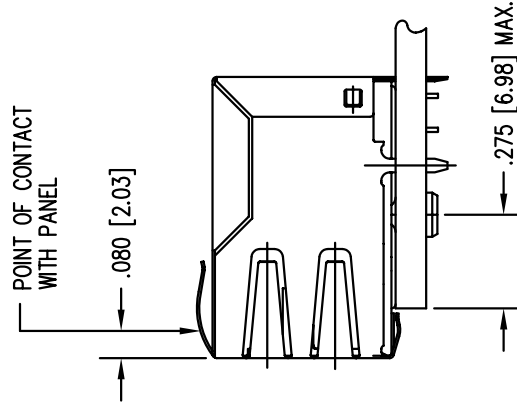
**Bel Stewart Connector**  
 11118 Susquehanna Trail, South  
 Glen Rock, Pa. 17327-9199  
 717.234.7512

**MagJack**  
<http://www.stewartconnector.com>

THIS DRAWING AND THE SUBJECT MATTER SHOWN THEREON ARE CONFIDENTIAL AND PROPERTY OF BEL STEWART CONNECTOR AND SHALL NOT BE REPRODUCED, COPIED, OR USED IN ANY MANNER WITHOUT PRIOR WRITTEN CONTENT BEL STEWART CONNECTOR. THE SUBJECT MATTER SHOWN THEREON MAY BE PATENTED OR A PATENT MAY BE PENDING.



SUGGESTED PANEL OPENING



1. THE SUGGESTED PANEL OPENING IS INTENDED TO GIVE THE USER THE ABILITY TO HAVE REASONABLE JACK / PANEL CLEARANCES YET MAINTAIN RELIABLE GROUNDING CAPABILITY.
2. ALL TOLERANCES NOT OTHERWISE SPECIFIED TO BE  $\pm 0.005$  [0.13]

Bel Stewart Connector  
 11118 Susquehanna Trail, South  
 Glen Rock, Pa 17327-9199  
 717.234.7512

**MagJack®**

<http://www.stewartconnector.com>

THIS DRAWING AND THE SUBJECT MATTER SHOWN THEREON ARE CONFIDENTIAL AND PROPERTY OF BEL STEWART CONNECTOR AND SHALL NOT BE REPRODUCED, COPIED, OR USED IN ANY MANNER WITHOUT PRIOR WRITTEN CONTENT FROM BEL STEWART CONNECTOR. THE SUBJECT MATTER SHOWN HEREON MAY BE PATENTED OR A PATENT MAY BE PENDING FOR THE SUBJECT MATTER SHOWN HEREON.

SHEET 3 OF 3

DRAWING NO. SI-50113-F

REV. 05