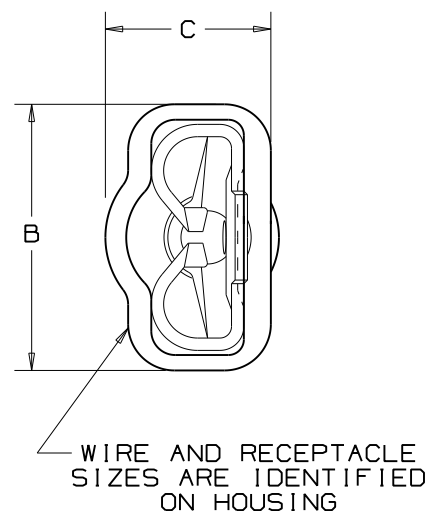
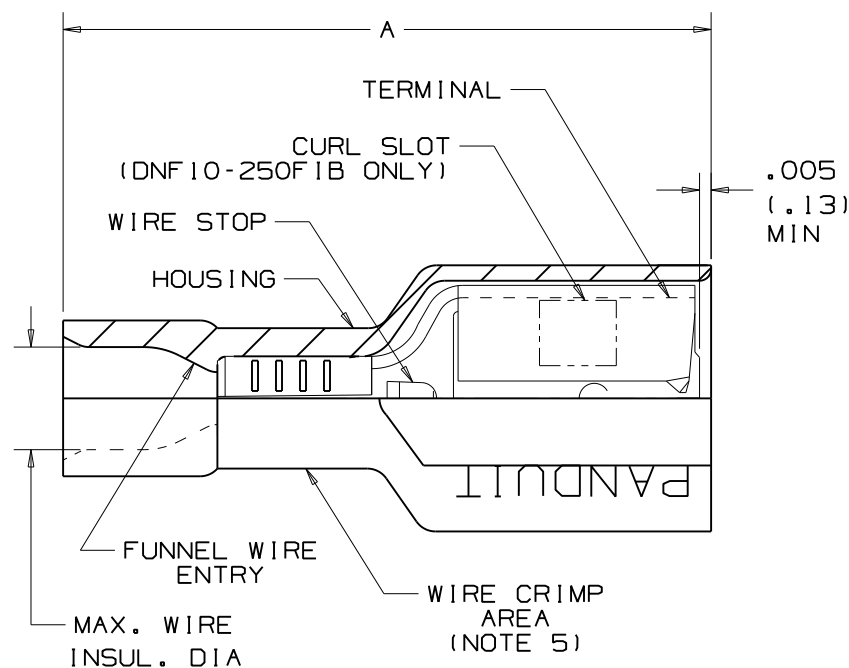


THIS COPY IS PROVIDED ON A RESTRICTED BASIS AND IS NOT TO BE USED IN ANY WAY DETRIMENTAL TO THE INTERESTS OF PANDUIT CORP.

NOTES:

- UL LISTED AND CSA CERTIFIED FOR:
  - 600V MAX VOLTAGE RATING
  - 221°F (105°C) MAX TEMP RATING (CSA).
  - 257°F (125°C) MAX. TEMP. RATING (UL).
  - STRANDED COPPER WIRE ONLY.
  - 6-12 LBS. INITIAL INSERTION/WITHDRAWL FORCE.
- MATERIAL:
  - STAMPING-CDA 260 BRASS, TIN PLATED
  - HOUSING-TYPE 66 NYLON
- DIMENSIONS IN BRACKETS ARE IN mm OR mm<sup>2</sup>
- COLORS ARE TRANSLUCENT
- PACKAGING:
  - STD -C=100, -L=50
  - BULK -M=1000, -D=500
- DNF10-250F1B IS UL APPROVED FOR USE WITH THE FOLLOWING WIRE COMBINATIONS:
  - #14, (2) #16, (2) #18
 TWIST WIRES TOGETHER BEFORE CRIMPING

PART NUMBER	PK	TAB SIZE	WIRE RANGE AWG (mm <sup>2</sup> )	COLOR (note 4)	MAX. INSUL.	DIMENSIONS in.			STRIP LENGTH +1/32 (.08) - 0	TOOL CHART
						A <sup>+0.03</sup> <sub>(.8)</sub>	B <sup>+0.01</sup> <sub>(.3)</sub>	C <sup>+0.02</sup> <sub>(.5)</sub>		
DNF 18-250F1B	-C -M	.250 X .032	22-18 (0.5-1.5)	RED	.136 (3.45)	.84 (21.3)	.35 (8.9)	.22 (5.6)	9/32 (7.1)	CT-520 CT-1525
DNF 18-205F1B	-L -M	.205/.187 X .032	22-18 (0.5-1.5)	RED	.136 (3.45)	.78 (19.8)	.31 (7.9)	.22 (5.6)		
DNF 18-206F1B	-L -M	.205/.187 X .020	22-18 (0.5-1.5)	RED	.136 (3.45)	.78 (19.8)	.31 (7.9)	.22 (5.6)		
DNF 18-187F1B	-C -M	.187 X .032	22-18 (0.5-1.5)	RED	.136 (3.45)	.78 (19.8)	.29 (7.4)	.16 (4.1)		
DNF 18-188F1B	-C -M	.187 X .020	22-18 (0.5-1.5)	RED	.136 (3.45)	.78 (19.8)	.29 (7.4)	.16 (4.1)		
DNF 14-250F1B	-C -M	.250 X .032	16-14 (1.5-2.5)	BLUE	.160 (4.06)	.84 (21.3)	.35 (8.9)	.22 (5.6)		
DNF 14-205F1B	-C -M	.205/.187 X .032	16-14 (1.5-2.5)	BLUE	.160 (4.06)	.78 (19.8)	.31 (7.9)	.22 (5.6)		
DNF 14-206F1B	-C -M	.205/.187 X .020	16-14 (1.5-2.5)	BLUE	.160 (4.06)	.78 (19.8)	.31 (7.9)	.22 (5.6)		
DNF 14-187F1B	-C -M	.187 X .032	16-14 (1.5-2.5)	BLUE	.160 (4.06)	.78 (19.8)	.29 (7.4)	.18 (4.6)		
DNF 14-188F1B	-C -M	.187 X .020	16-14 (1.5-2.5)	BLUE	.160 (4.06)	.78 (19.8)	.29 (7.4)	.18 (4.6)		
DNF 10-250F1B	-L -D	.250 X .032	12-10 (4.0-6.0)	YELLOW	.220 (5.59)	.96 (24.4)	.35 (8.9)	.23 (5.8)	3/8 (9.5)	CT-1525



**PANDUIT** CORP TINLEY PARK, ILLINOIS  
 FULLY INSULATED FEMALE DISCONNECTS  
 .250 X .032, .205/.187 X .187/.188 X .032/.020

							UNLESS OTHERWISE SPECIFIED, DIMENSIONAL TOLERANCES ARE: (.X) ± (.XX) ±		UNLESS OTHERWISE SPECIFIED, ALL DIMENSIONS ARE GIVEN IN INCHES, THIRD ANGLE PROJECTION	
15	02/09	BCT	ADDED NOTE TO TWIST MULTIPLE WIRES TOGETHER PRIOR TO CRIMPING				DRAWN BY	WJB	SCALE NONE	
14	10/08	SRB	Changed packaging codes from "C" to "L"				DATE	1/6/99	DRAWING NO. A41196	
REV	DATE	BY	CHK	DESCRIPTION	ECN #	PM	CUST	CHK'D	DWG SIZE	