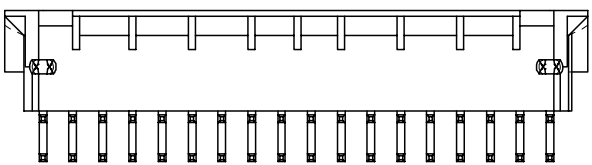
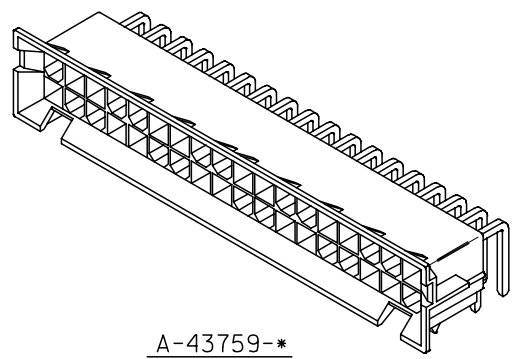


SCALE 4:1

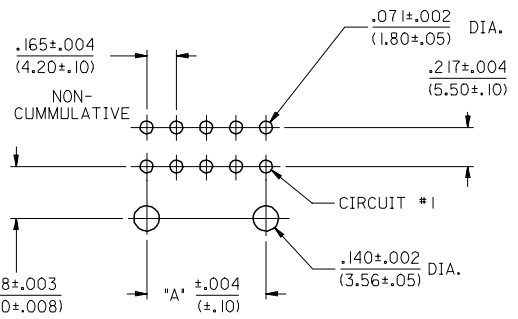


NOTES:

- 1) MATERIAL
HOUSING: 'A' = NYLON 6/6, U.L. 94V-2 COLOR: NATURAL.
TERMINAL MATERIAL: BRASS, ALLOY 260.
- 2) FINISH
1 = .000100/(.00254) MIN. TIN OVER
.000050/(.00127) MIN. NICKEL.
2 = .000030/(.00076) MIN. GOLD OVER
.000050/(.00127) MIN. NICKEL.
- 3) PRODUCT SPECIFICATION: PS-43759-0001
- 4) PART MATES WITH MINI-FIT JR. RECEPTACLE 43760.
- 5) PART ALLOWS FOR .050/(1.27) MISALIGNMENT WITH MATING RECEPTACLE IN ANY DIRECTION. SEE MATING CONNECTOR DRAWINGS FOR SPECIFIC ALLOWANCES.
- 6) CONNECTOR ASSEMBLIES ARE NOT TO BE MATED OR UNMATED WHILE CIRCUITS ARE LIVE.
- 7) CIRCUITS SHOWN PROVIDE THE 'MATE-FIRST/BREAK-LAST' FEATURE.
- 8) DISCOLORATION ON THE BANDOLIER CARRIER AREA OF THE PIN IS ACCEPTABLE.



A-43759-*



RECOMMENDED HOLE LAYOUT FOR .070/(1.78) MAX. THICK P.C. BOARD (SEE NOTE 5.)

CIRCUIT SIZE	DIM. 'A'
36	2.811 (71.40)

ADDED NOTE 8 FC NO: UCP2006-0371 2005/08/17 DRAWNDUNNE 2005/08/17 CHKD:GOLGAR 2005/08/17 APPR:ICOMERCI 2005/08/19	QUALITY SYMBOLS	GENERAL TOLERANCES (UNLESS SPECIFIED)	DIMENSION STYLE	SCALE	DESIGN UNITS	THIRD ANGLE PROJECTION
	=0 =0	mm INCH 4 PLACES ± --- ± --- 3 PLACES ± --- ± .010 2 PLACES ± 0.25 ± .015 1 PLACE ± 0.38 ± --- ANGULAR ±1/2°	IN/MM	2:1	METRIC	THIRD ANGLE PROJECTION
	DRAWN BY: MAB CHECKED BY: RJF APPROVED BY: RAS	DATE: 5/20/96 DATE: 5/20/96 DATE: 5/20/96	MATERIAL NO. SEE SHEET 2	TITLE SELECTIVELY-LOADED DUAL ROW, RT. ANG. HDR. (MAKE FIRST/BREAK LAST)	MOLEX INCORPORATED	SHEET NO. 1 OF 2
	DRAFT WHERE APPLICABLE MUST REMAIN WITHIN DIMENSIONS					

2	B2
1	D
SHT/REV.	

