

Signal Transformer



***High Frequency Drum Core
And Toroidal Inductors***

NEW



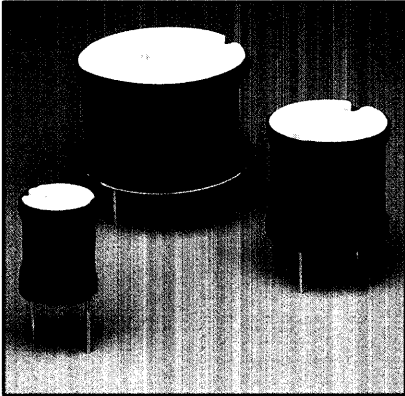
SIGTS00050

FDCI - Ferrite Drum Core Power Inductors Through Hole Mount

BUY DIRECT

 SHIPMENT
 TEL: (516) 239-5777
 FAX: (516) 239-7208

Low Cost High Frequency Inductors



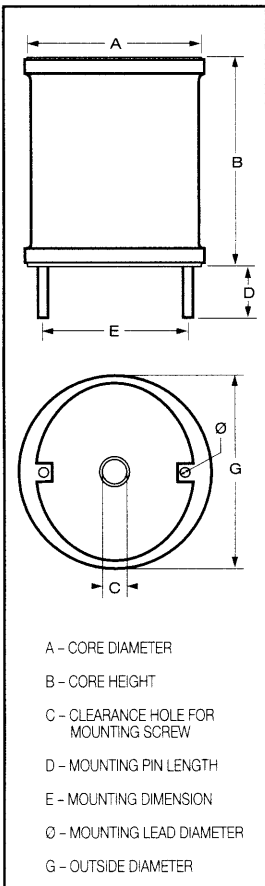
Signal's FDCI Drum Core Inductors have excellent electrical and mechanical characteristics for a wide range of applications in the electronics field.

- SMPS and DC-DC Converters
- Filters
- EMI/RFI Suppression Devices
- SCR and TRIAC Controls, etc.

Ferrite core material has low core loss and the ability to work at high flux densities at high temperatures.

General Specifications

- Inductance – 1 μ H up to 23.9 mH
- Current – Up to 21.0 A
- Stable inductance
- Small PCB footprint
- Additional screw mount through the center hole
- Hot solder pre-tinned self leads for fast through-hole assembly
- Epoxy-coated cores for 1000V isolation
- Protective tubing sleeve on the outside



CORE SIZE	A NOMINAL	B NOMINAL	C REF.	D $\pm .06$ ± 1.6	E REF.	G MAX	NI*
1420	.55" 14.0 mm	.79" 20.0 mm	.12" 3.1 mm	.62" 15.9 mm	.51" 13.0 mm	.64" 16.3 mm	325

*Value of TURNS*IDC which reduces core AL value by less than 5%.

PART NUMBER	INDUCTANCE @ Ø ADC (μ H)	RATED CURRENT (ADC)	DCR NOMINAL (m Ω)	ENERGY STORAGE (μ J)	Ø LEAD DIAMETER (IN)	CORE SIZE
FDCI-1-17.0	1	17.0	1.3	144.5	.073	1420
FDCI-2-12.0	2	12.0	2.3	144.0	.065	1420
FDCI-3-10.0	3	10.0	3.2	150.0	.058	1420
FDCI-4-8.5	4	8.5	4.6	144.5	.052	1420
FDCI-8-7.0	8	7.0	8.3	196.0	.046	1420
FDCI-18-7.0	18	7.0	12.2	441.0	.046	1420
FDCI-22-5.5	22	5.5	17.0	332.8	.041	1420
FDCI-30-4.3	30	4.3	24.4	277.4	.036	1420
FDCI-37-3.4	37	3.4	34.9	213.9	.033	1420
FDCI-50-2.6	50	2.6	50.2	169.0	.029	1420
FDCI-80-2.6	80	2.6	63.2	270.4	.029	1420
FDCI-100-2.1	100	2.1	89.5	220.5	.026	1420
FDCI-135-2.1	135	2.1	103.7	297.7	.026	1420
FDCI-160-1.7	160	1.7	142.3	231.2	.026	1420
FDCI-220-1.7	220	1.7	168.2	317.9	.026	1420
FDCI-300-1.7	300	1.7	196.6	433.5	.026	1420
FDCI-380-1.3	380	1.3	276.7	321.1	.026	1420
FDCI-450-1.3	450	1.3	302.3	380.3	.026	1420
FDCI-600-1.1	600	1.1	438.1	363.0	.026	1420
FDCI-800-1.1	800	1.1	503.6	484.0	.026	1420
FDCI-1350-0.9	1350	0.9	836.0	546.8	.026	1420
FDCI-1670-0.7	1670	0.7	1172.0	409.2	.026	1420
FDCI-2750-0.5	2750	0.5	1898.0	343.8	.026	1420

For
 Custom Parts,
 Please Contact
 Factory.

See following pages for core sizes: 1822, 2424, 3525, and 3535.

Signal Transformer

CALL: 516-239-5777 • FAX: (24hrs) 516-239-7208

Website: <http://www.signaltransformer.com>

500 Bayview Avenue, Inwood, New York 11096

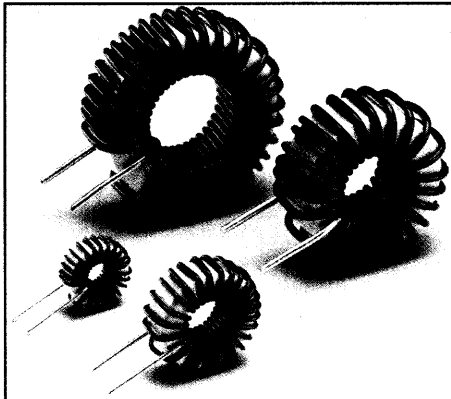
PTI – Powder Iron Toroidal Inductors Printed Circuit Mount

BUY DIRECT



TEL: (516) 239-5777
FAX: (516) 239-7208

Low Cost High Frequency Inductors



Inductors are designed for 30°C temperature rise in still air when loaded to rated DC current at 40 kHz.

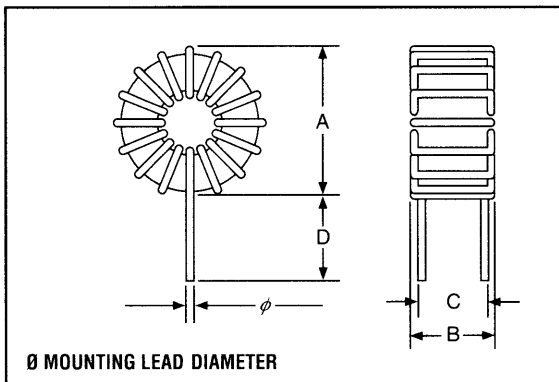
Signal's PTI low price Toroidal Inductors are used in a wide variety of applications:

- Inductors for SMPS applications
- Output chokes
- EMI filters
- Energy storage devices, etc.

Air gaps are inherently distributed in the powder iron core. These air gaps reduce material permeability and increase the energy storage capabilities which results in smaller size inductors.

General Specifications

- Inductance – 22 μ H up to 450 μ H
- Current – Up to 10 ADC
- Repeatability inductance at rated current – excellent for controlled saturation
- Hot solder pre-tinned self leads for fast PCB assembly
- Low price
- Low EMI (inherent to toroidal construction)
- Single layer winding
- Available from stock



CORE SIZE	A MAX	B MAX	C REF.	D $\pm .125$ 3.2
A	.55" 14.0 mm	.25" 6.4 mm	.18" 4.6 mm	.38" 9.6 mm
B	.65" 16.6 mm	.30" 7.6 mm	.28" 7.1 mm	.38" 9.6 mm
C	.85" 21.6 mm	.39" 9.9 mm	.30" 7.6 mm	.38" 9.6 mm
D	1.0" 25.4 mm	.55" 14.0 mm	.45" 11.5 mm	.38" 9.6 mm
E	1.5" 38.1 mm	.65" 16.5 mm	.50" 12.7 mm	.38" 9.6 mm
F	1.6" 40.7 mm	.65" 16.5 mm	.50" 12.7 mm	.38" 9.6 mm

PART NUMBER	INDUCTANCE @ RATED DC CURRENT (μ H)	IDC (A)	ET OPER @40kHz (V- _{rms})	ENERGY STORAGE (μ J)	INDUCTANCE @ 0 ADC ($\pm 20\%$) (μ H)	20 kHz TEST @ 0 DC (mV)	DCR (MAX) (m Ω)	COIL SIZE	ϕ LEAD DIAMETER (IN)
PTI-22-2.2	22	2.2	37	53	20	23	42	A	.020
PTI-40-2.2	40	2.2	55	97	40	37	60	B	.020
PTI-100-2.5	100	2.5	125	313	105	100	106	C	.020
PTI-25-2.6	25	2.6	50	85	22	28	32	B	.025
PTI-65-3.0	65	3.0	100	293	62	78	54	C	.025
PTI-135-3.0	135	3.0	180	608	145	154	92	D	.025
PTI-250-3.0	250	3.0	300	1125	267	325	128	E	.025
PTI-450-3.0	450	3.0	500	2025	506	520	196	F	.025
PTI-90-3.5	90	3.5	160	551	91	122	47	D	.032
PTI-36-4.0	36	4.0	75	288	37	60	27	C	.032
PTI-150-4.0	150	4.0	270	1200	152	245	62	E	.032
PTI-275-4.0	275	4.0	400	2200	314	410	98	F	.032
PTI-30-5.0	30	5.0	60	375	37	60	27	C	.032
PTI-50-5.0	50	5.0	125	625	53	93	24	D	.042
PTI-100-5.0	100	5.0	225	1250	97	196	32	E	.042
PTI-170-5.0	170	5.0	350	2125	190	320	52	F	.042
PTI-50-9.0	50	9.0	150	2025	64	141	17	E	.051
PTI-97-7.0	97	7.0	250	2376	114	247	25	F	.051
PTI-55-10.0	55	10.0	200	2750	66	190	13	F	.064

For Custom Parts, Please Contact Factory.

Signal Transformer

CALL: 516-239-5777 • FAX: (24hrs) 516-239-7208

Website: <http://www.signaltransformer.com>

500 Bayview Avenue, Inwood, New York 11096

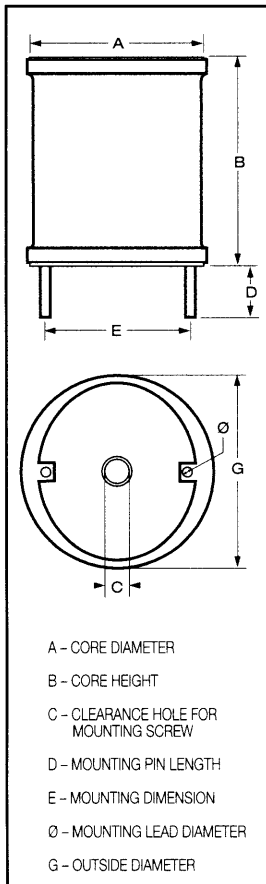
FDCI - Ferrite Drum Core Power Inductors Through Hole Mount

BUY DIRECT



TEL: (516) 239-5777
FAX: (516) 239-7208

Low Cost High Frequency Inductors



CORE SIZE	A NOMINAL	B NOMINAL	C REF.	D _{.06} ± 1.6	E REF.	G MAX	NI*
3525	1.38" 25.0 mm	.99" 35.0 mm	.27" 6.9 mm	.62" 15.9 mm	1.14" 29.0 mm	1.50" 38.1 mm	570
3535	1.38" 35.0 mm	1.38" 35.0 mm	.27" 6.9 mm	.62" 15.9 mm	1.14" 29.0 mm	1.50" 38.1 mm	700

*Value of TURNS*IDC which reduces core AL value by less than 5%.

PART NUMBER	INDUCTANCE @ Ø ADC (µH)	RATED CURRENT (ADC)	DCR NOMINAL (mΩ)	ENERGY STORAGE (µJ)	Ø LEAD DIAMETER (IN)	CORE SIZE
FDCI-62-21.0	62	21.0	10.0	13671	.082	3525
FDCI-80-17.0	80	17.0	16.0	11560	.073	3525
FDCI-100-12.0	100	12.0	21.0	7200	.065	3525
FDCI-147-10.0	147	10.0	38.0	7350	.058	3525
FDCI-210-10.0	210	10.0	41.0	10650	.058	3525
FDCI-300-8.5	300	8.5	61.0	10946	.052	3525
FDCI-380-8.5	380	8.5	69.0	13800	.052	3525
FDCI-450-8.5	450	8.5	75.0	16401	.052	3525
FDCI-500-7.0	500	7.0	99.0	12250	.046	3525
FDCI-600-7.0	600	7.0	108.0	14676	.046	3525
FDCI-700-5.5	700	5.5	149.0	10693	.041	3525
FDCI-860-5.5	860	5.5	165.0	13068	.041	3525
FDCI-1010-5.5	1010	5.5	178.0	15352	.041	3525
FDCI-1300-4.3	1300	4.3	254.0	12037	.036	3525
FDCI-1600-4.3	1600	4.3	282.0	14764	.036	3525
FDCI-2000-3.4	2000	3.4	401.0	11647	.033	3525
FDCI-3000-3.4	3000	3.4	489.0	17328	.033	3525
FDCI-4000-2.6	4000	2.6	709.0	13503	.033	3525
FDCI-5000-2.1	5000	2.1	999.0	11100	.033	3525
FDCI-6000-2.1	6000	2.1	1093.0	13294	.033	3525
FDCI-7530-1.7	7530	1.7	1553.0	10887	.033	3525
FDCI-9000-1.7	9000	1.7	1698.0	13014	.033	3525
FDCI-10000-1.7	10000	1.7	1793.0	14502	.033	3525

PART NUMBER	INDUCTANCE @ Ø ADC (µH)	RATED CURRENT (ADC)	DCR NOMINAL (mΩ)	ENERGY STORAGE (µJ)	Ø LEAD DIAMETER (IN)	CORE SIZE
FDCI-115-21.0	115	21.0	16.0	25578	.082	3535
FDCI-180-17.0	180	17.0	25.0	26010	.073	3535
FDCI-300-12.0	300	12.0	41.0	21816	.065	3535
FDCI-375-12.0	375	12.0	45.0	27072	.065	3535
FDCI-530-10.0	530	10.0	68.0	26550	.058	3535
FDCI-750-8.5	750	8.5	102.0	27021	.052	3535
FDCI-1000-7.0	1000	7.0	149.0	24573	.046	3535
FDCI-1320-6.0	1320	6.0	170.0	23742	.046	3535
FDCI-1760-5.5	1760	5.5	249.0	26620	.041	3535
FDCI-2140-5.0	2140	5.0	274.0	26750	.041	3535
FDCI-2900-4.3	2900	4.3	403.0	26847	.036	3535
FDCI-4030-3.4	4030	3.4	601.0	23316	.033	3535
FDCI-5000-3.2	5000	3.2	670.0	25672	.033	3535
FDCI-6500-2.6	6500	2.6	959.0	22044	.033	3535
FDCI-8500-2.5	8500	2.5	1097.0	26659	.033	3535
FDCI-10050-2.1	10050	2.1	1490.0	22193	.033	3535
FDCI-13050-2.0	13050	2.0	1703.0	26108	.033	3535
FDCI-16000-1.7	16000	1.7	2400.0	23133	.033	3535
FDCI-20000-1.6	20000	1.6	2683.0	25611	.033	3535
FDCI-23900-1.5	23900	1.5	2934.0	26930	.033	3535

For Custom Parts, Please Contact Factory.

Signal Transformer

CALL: 516-239-5777 • FAX: (24hrs) 516-239-7208

Website: <http://www.signaltransformer.com>

500 Bayview Avenue, Inwood, New York 11096

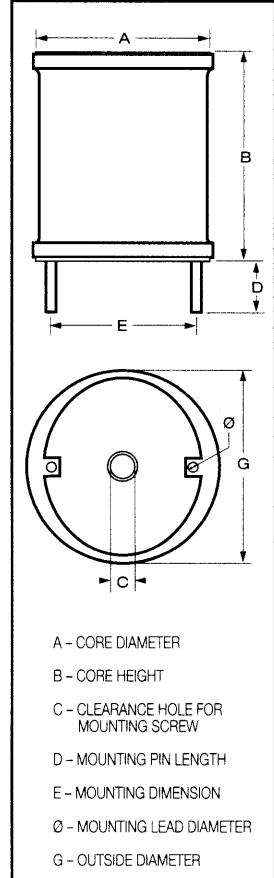
FDCI - Ferrite Drum Core Power Inductors Through Hole Mount

BUY DIRECT



TEL: (516) 239-5777
FAX: (516) 239-7208

Low Cost High Frequency Inductors



CORE SIZE	A NOMINAL	B NOMINAL	C REF.	D D ₀₆ ±1.6	E REF.	G MAX	NI*
1822	.71" 18.0 mm	.87" 22.0 mm	.12" 3.1 mm	.62" 15.9 mm	.62" 15.9 mm	.80" 20.3 mm	410
2424	.95" 24.0 mm	.95" 24.0 mm	.12" 3.1 mm	.62" 15.9 mm	.81" 20.5 mm	1.05" 26.7 mm	450

*Value of TURNS*IDC which reduces core AL value by less than 5%.

PART NUMBER	INDUCTANCE @ Ø ADC (µH)	RATED CURRENT (ADC)	DCR NOMINAL (mΩ)	ENERGY STORAGE (µJ)	Ø LEAD DIAMETER (IN)	CORE SIZE
FDCI-2-21.0	2	21.0	1.4	441.0	.082	1822
FDCI-3-17.0	3	17.0	2.0	390.2	.073	1822
FDCI-5-12.0	5	12.0	3.0	324.0	.065	1822
FDCI-15-10.0	15	10.0	8.0	750.0	.058	1822
FDCI-22-8.5	22	8.5	12.0	794.8	.052	1822
FDCI-30-7.0	30	7.0	17.0	735.0	.046	1822
FDCI-42-5.5	42	5.5	26.0	635.3	.041	1822
FDCI-95-4.3	95	4.3	50.0	878.3	.036	1822
FDCI-120-4.3	120	4.3	56.0	1109.4	.036	1822
FDCI-150-3.4	150	3.4	80.0	867.0	.033	1822
FDCI-290-2.6	290	2.6	138.0	980.2	.029	1822
FDCI-370-2.1	370	2.1	194.0	815.9	.026	1822
FDCI-650-1.7	650	1.7	330.0	939.3	.026	1822
FDCI-800-1.7	800	1.7	365.0	1156.0	.026	1822
FDCI-950-1.4	950	1.4	500.0	931.0	.026	1822
FDCI-1500-1.1	1500	1.1	790.0	907.5	.026	1822
FDCI-1800-1.1	1800	1.1	862.0	1089.0	.026	1822
FDCI-2700-0.9	2700	0.9	1334.0	1093.5	.026	1822
FDCI-4500-0.7	4500	0.7	2170.0	1102.5	.026	1822
FDCI-7200-0.5	7200	0.5	3460.0	900.0	.026	1822

PART NUMBER	INDUCTANCE @ Ø ADC (µH)	RATED CURRENT (ADC)	DCR NOMINAL (mΩ)	ENERGY STORAGE (µJ)	Ø LEAD DIAMETER (IN)	CORE SIZE
FDCI-15-21.0	15	21.0	4.4	3307.5	.082	2424
FDCI-20-17.0	20	17.0	6.0	2890.5	.073	2424
FDCI-50-12.0	50	12.0	13.0	3600.0	.065	2424
FDCI-65-10.0	65	10.0	18.0	3250.0	.058	2424
FDCI-80-10.0	80	10.0	20.0	4000.0	.058	2424
FDCI-120-8.5	120	8.5	32.0	4335.0	.052	2424
FDCI-150-8.5	150	8.5	35.0	5418.8	.052	2424
FDCI-180-7.0	180	7.0	48.0	4410.0	.046	2424
FDCI-200-7.0	200	7.0	51.0	4900.0	.046	2424
FDCI-300-5.5	300	5.5	79.0	4537.5	.041	2424
FDCI-400-5.5	400	5.5	91.0	6050.0	.041	2424
FDCI-475-4.3	475	4.3	124.0	4391.4	.036	2424
FDCI-550-4.3	550	4.3	134.0	5084.8	.036	2424
FDCI-700-3.4	700	3.4	190.0	4046.0	.033	2424
FDCI-825-3.4	825	3.4	207.0	4768.5	.033	2424
FDCI-910-3.4	910	3.4	217.0	5259.8	.033	2424
FDCI-1200-2.6	1200	2.6	315.0	4056.0	.029	2424
FDCI-1500-2.6	1500	2.6	351.0	5070.0	.029	2424
FDCI-1700-2.6	1700	2.6	372.0	5746.0	.029	2424
FDCI-2000-2.1	2000	2.1	506.0	4410.0	.029	2424
FDCI-2500-2.1	2500	2.1	568.0	5512.5	.029	2424
FDCI-3000-1.7	3000	1.7	794.0	4335.0	.029	2424
FDCI-5200-1.3	5200	1.3	1313.0	4394.0	.029	2424
FDCI-8500-1.0	8500	1.0	2106.0	4250.0	.029	2424
FDCI-14000-0.8	14000	0.8	3403.0	4480.0	.029	2424
FDCI-21000-0.6	21000	0.6	5248.0	3780.0	.029	2424

For
Custom Parts,
Please Contact
Factory.

Signal Transformer

CALL: 516-239-5777 • FAX: (24hrs) 516-239-7208

Website: <http://www.signaltransformer.com>

500 Bayview Avenue, Inwood, New York 11096

**Signal Transformer Co., Inc.
Insilco Technologies Group**

500 Bayview Avenue
Inwood, NY 11096-1792
Tel: (516) 239-5777 Fax: (516) 239-7208

<http://www.signaltransformer.com>



Insilco Technologies Group

Escod Industries • Signal Transformer • Stewart Connector • Stewart Stamping