



CONNOR-WINFIELD CORPORATION

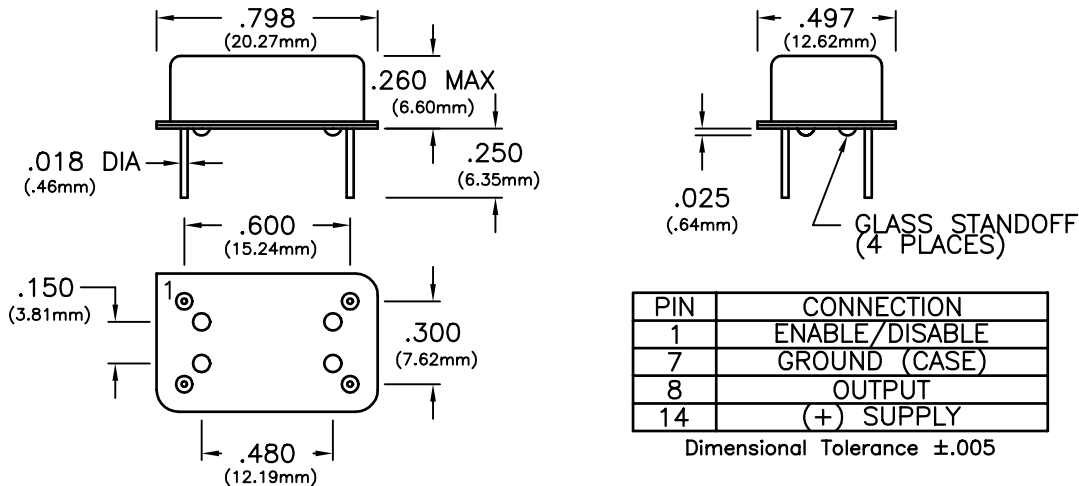
AURORA, IL. 60505

PHONE (630) 851-4722

FAX (630) 851-5040

HCMOS/TTL COMPATIBLE TRI-STATE OUTPUT

SPECIFICATIONS	HC54R8R	HC64R8R		
Frequency Range	1MHz to 70MHz			
Frequency Stability	±20ppm			
	(Inclusive of calibration tolerance at 25°C, operating temperature range, input voltage change, load change, aging, shock and vibration)			
Temperature Range	0°C to +70°C	-40°C to +85°C		
Output	Waveform	HCMOS Squarewave or TTL Compatible		
	Load	HCMOS-50pF , TTL-10TTL		
	Voltage	Voh	4.5V Minimum	
		Vol	0.5V Maximum	
	Current	Ioh	-16mA	
		Iol	16mA	
	Duty Cycle	45/55 Maximum Measured at 50% level		
Rise/Fall Time	5nS Maximum			
Input	Output E/D Time	100nS Typical		
	Enable (Vih)	2.2V Minimum		
	Disable (Vil)	0.8V Maximum		
	Oscillator output is enabled with no connection on pin 1			
Start Up Time	10mS Maximum , 3mS Typical			
Supply Voltage	+5Vdc ±10%			
Supply Current	1 to 25M	25mA Maximum		
	25 to 50M	45mA Maximum		
	50 to 70M	60mA Maximum		
Package	All metal, hermetically sealed, welded package			



Specifications subject to change without notice

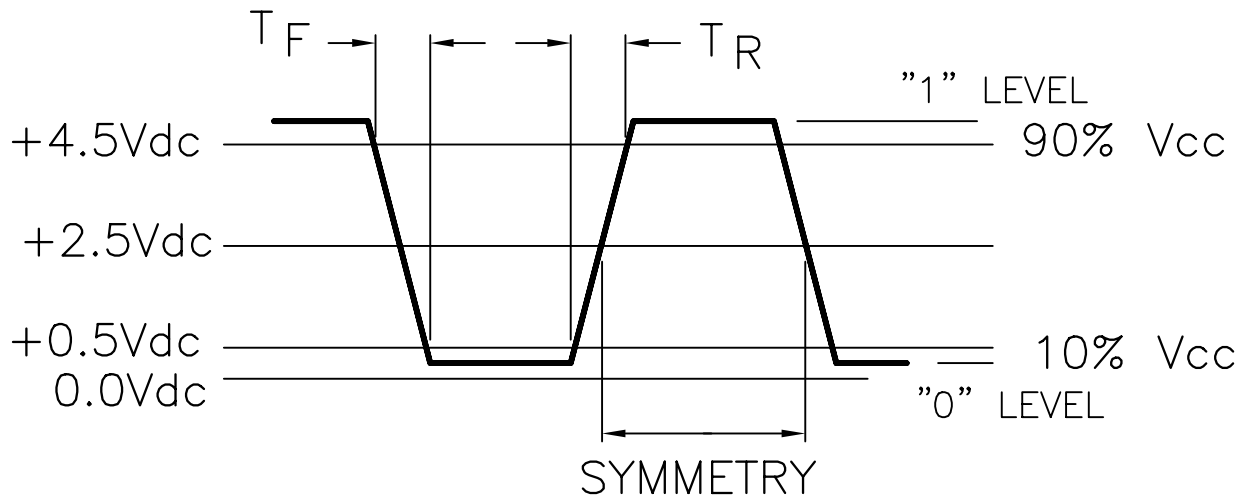
BULLETIN #: HC035
PAGE 1 OF 2

REV: 04
DATE: 12/10/97

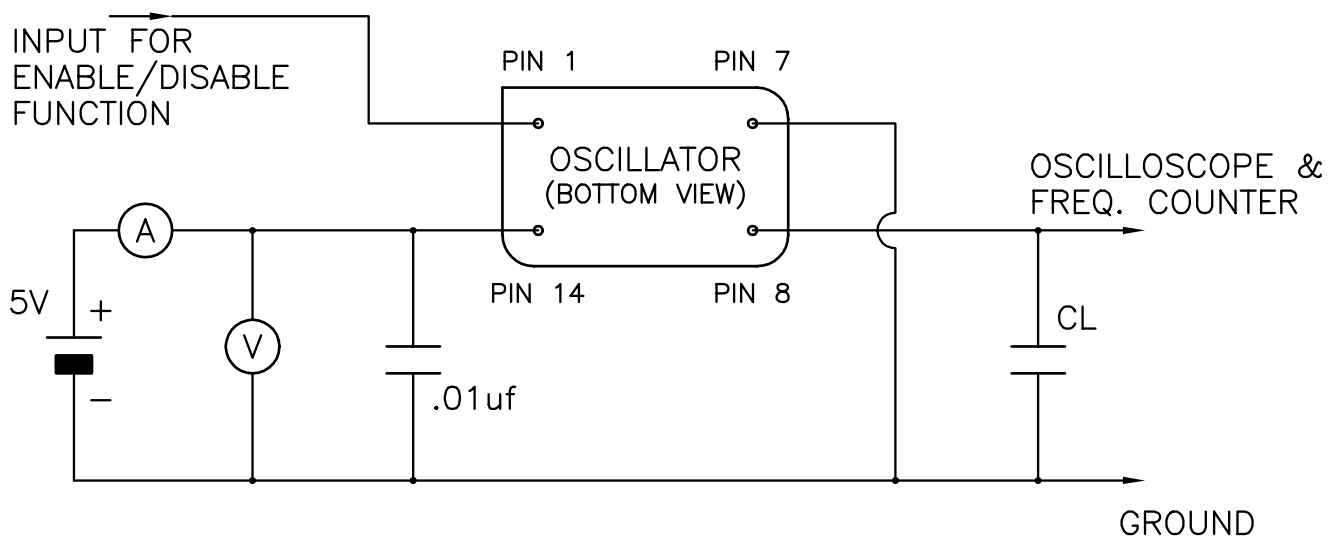
ISSUED BY: _____



OUTPUT WAVEFORM



TEST CIRCUIT



Specifications subject to change without notice