



i³™ Series Sensitivity Reader

System Sensor's i³ series sensitivity reader displays sensitivity and status indication readings of all i³ series detectors and other compatible System Sensor smoke detectors.



Sensitivity readers, voltmeters and multimeters are designed to assure smoke detectors are working within their listed and marked sensitivity ranges.

With the System Sensor i³ series sensitivity reader (SENS-RDR), an LCD screen displays a detector's exact sensitivity by percent-per-foot obscuration. Therefore, unlike many sensitivity readers, voltmeters and multimeters that display only the voltage rating, the step of cross-referencing a voltage reading to a sensitivity range is eliminated with the SENS-RDR. Beyond displaying the sensitivity reading, the LCD screen indicates the status of the detector in alphanumeric text as GOOD, SERVICE or REPLACE.

Testing a detector's sensitivity is a simple and quick task. The SENS-RDR connects to hand-held devices and threaded extension poles for those detectors installed out of reach, eliminating the need for a ladder. Within 10 seconds, the dual LED and sounder will alert the installer that the reading has been taken. With dual indicators, the installer won't have to rely on a single LED in areas with visibility issues or a single sounder in areas with audibility issues.

The SENS-RDR operates with two AA alkaline batteries. To ensure these batteries are operable, the SENS-RDR has a low battery indicator. And, to maximize battery life, the SENS-RDR automatically shuts off after 30 minutes.

Features

- An LCD screen that displays sensitivity by percent-per-foot obscuration
- Connectors for a hand-held device or threaded extension pole
- Dual LED and sounder indicators
- A low battery indicator
- Automatic shut-off after 30 minutes

Agency Listings



MSFM
approved

Specifications

Architectural/Engineering Specifications

Sensitivity reader shall be a System Sensor model number SENS-RDR, listed with Underwriters Laboratories as a smoke detector accessory. The reader shall be capable of reading the detector's sensitivity without the need for a physical connection to the detector, and shall not require the use of a voltmeter or multi-meter. The reader shall offer the capability of hand-held use or shall accept a threaded extension pole. The reader shall include an LCD screen which indicates a detector's sensitivity in terms of percent per foot obscuration and a textual status indication. The reader shall operate with two AA alkaline batteries and shall be capable of indicating a low battery condition on the LCD screen.

Physical Specifications

Batteries	2 – AA alkaline batteries (not included)
Dimensions	Length: 7½ inches (181 mm); Width: 1¾ inches (35 mm); Depth: 1½ inches (29 mm)
Weight	8 oz. (225 grams)

LCD Status Indications

Status Indication	Action
GOOD	The detector is within its sensitivity range. No action is necessary at this time.
SERVICE	The smoke detector's sensing chamber requires cleaning for continued reliable operation. Refer to the i³ Series manual for proper maintenance procedures.
REPLACE	The smoke detector is failing and should be replaced immediately.

SENS-RDR Operation

1. Turn the reader on by pressing and holding the button for approximately 2 seconds until the reader sounds. The LCD will display the word "READY". The "READY" status indicates that the SENS-RDR is ready for accepting data from a compatible System Sensor smoke detector.
2. Place the reader by the smoke detector being tested. Position the reader above the oval depression near the word "PAINT" (See Figure 1). Position the reader below the detector at an angle (See Figure 2). A ledge and an anti-skid tip is provided on the reader to maintain the reader in place while it reads the sensitivity.
3. Hold the reader in this position up to 10 seconds until the reader sounds and the reader's red LED illuminates. (Note: If the reader does not sound after 10 seconds, verify that the reader is properly positioned, and the LCD displays "READY".)
4. The LED and sounder indicate a valid reading is received. The reader will automatically display two results. The first is a percent per foot obscuration measurement, which is displayed for approximately 3 seconds, followed by a textual status indication. The reader will continue to display both results for up to 30 minutes, or until the reader is reset.
5. To measure the sensitivity of the next detector, reset the reader by momentarily pressing the button. The LCD will again display the word "READY". Repeat steps 2 through 4, as necessary.
6. When finished, turn off the reader by pressing and holding the button for approximately 2 seconds until the reader sounds.

Figure 1: Reader location on a compatible System Sensor smoke detector

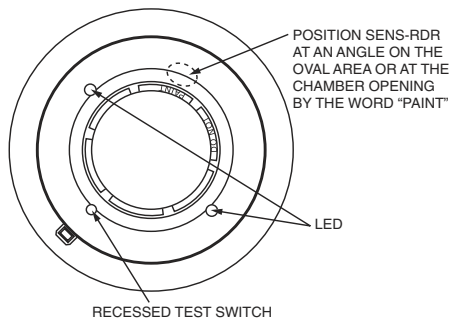
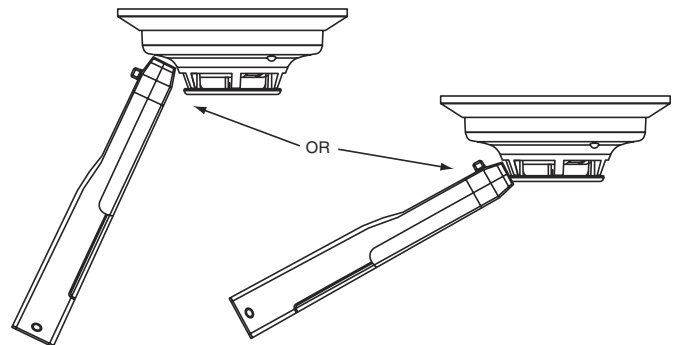


Figure 2: Position Reader on a compatible System Sensor smoke detector



Ordering Information

Part No.	Description
SENS-RDR	Sensitivity reader for i³ series smoke detectors



3825 Ohio Avenue • St. Charles, IL 60174
 Phone: 800-SENSOR2 • Fax: 630-377-6495

©2006 System Sensor.
 Product specifications subject to change without notice. Visit systemsensor.com for current product information, including the latest version of this data sheet.
 A05-0322-006 • 8/06 • #1676