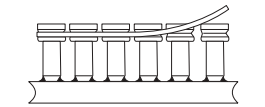
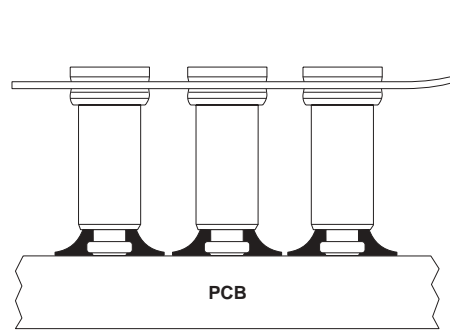
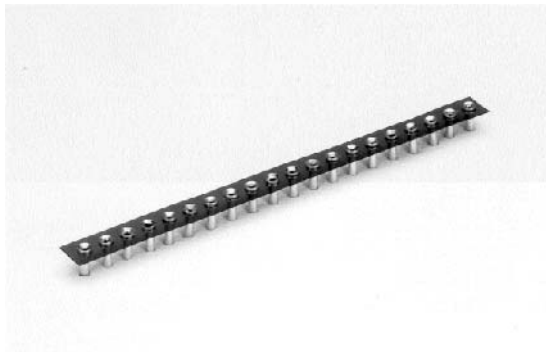
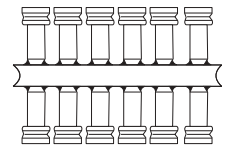


Surface Mount Single In-Line Sockets & Adapters



Peel-A-Way®
Surface Mount Sockets



Surface Mount Top/Bottom

Features:

- Sockets surface mount to PCB.
- Supplied in high temperature Peel-A-Way® socket terminal carrier.
- Peel-A-Way® carrier can be left in place for added stability.
- High reliability screw-machined terminals with multiple finger beryllium copper contacts.
- Available with solder preforms.

Terminals and Contacts:

Terminal: Brass - Copper Alloy (C36000), ASTM-B-16
 Contact: Beryllium Copper - Copper Alloy (C17200), ASTM-B-194

Solder Preform:

63% Tin, 37% Lead

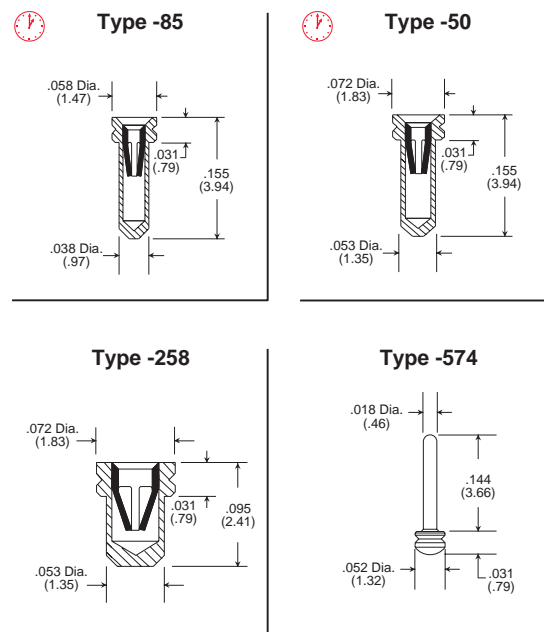
Plating:

Terminal: Gold over Nickel or Tin-Lead over Nickel
 Contact: Gold over Nickel or Tin-Lead over Nickel

Body Material:

KSS/KSA - Polyimide Film
 Temp. range -269°C to 400°C
 (-452°F to 752°F)

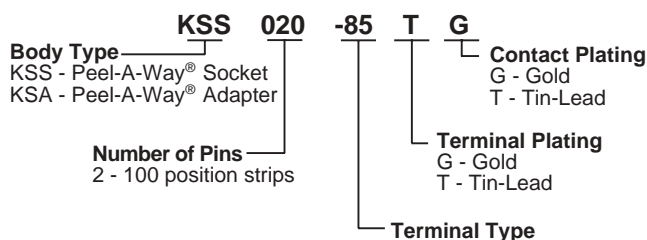
Terminal Information



 Quick turn delivery available on standard terminal types.

Additional terminal types available.
 See terminal section for detailed terminal information.

How To Order



Peel-A-Way® covered by patent rights issued and/or pending.