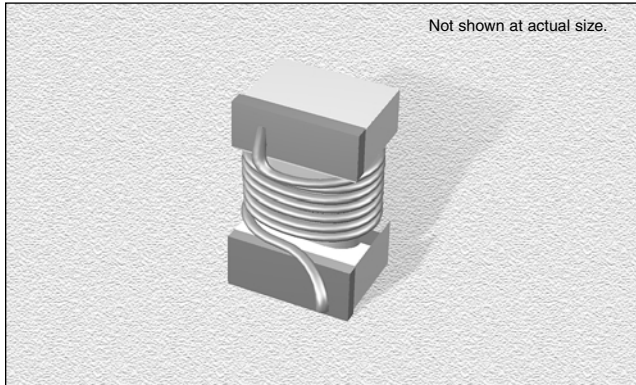


## CT1008LS Series

From 1.2  $\mu\text{H}$  to 47  $\mu\text{H}$



### CHARACTERISTICS

**Description:** SMD ferrite core wire-wound chip inductor

**Applications:** LC resonant circuits such as oscillator and signal generators, impedance matching, circuit isolation, RF filters, disk drives and computer peripherals, audio and video equipment, TV, radio and telecommunication equipment

**Operating Temperature:**  $-55^{\circ}\text{C}$  to  $+85^{\circ}\text{C}$

**Inductance Tolerance:**  $\pm 5\%$ ,  $\pm 10\%$  &  $\pm 20\%$

**Testing:** Inductance and Q are tested on an HP4286A at specified frequency

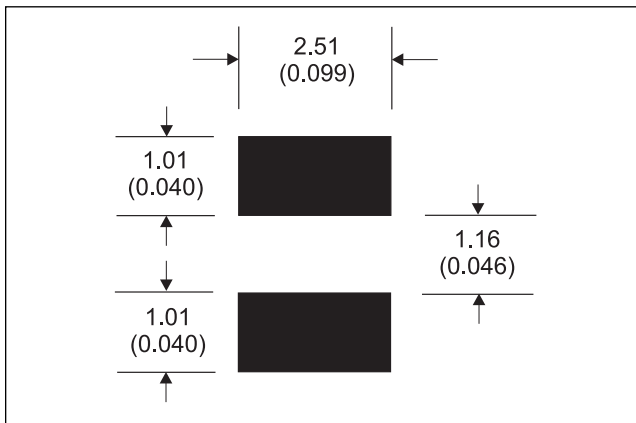
**Packaging:** Tape & Reel, 2,000 parts per reel

**Marking:** Reels are marked with inductance code and tolerance

**Additional Information:** Additional electrical & physical information available upon request

**Samples available. See website for ordering information.**

### PAD LAYOUT



### SPECIFICATIONS

Please specify tolerance code when ordering.  
 CT1008LS-122\_ ← J =  $\pm 5\%$ , K =  $\pm 10\%$ , M =  $\pm 20\%$   
 Add Letter 'G' at the end of part number after the tolerance for gold terminations.

Part Number	Inductance ( $\mu\text{H}$ )	L Test Freq. (MHz)	Q Fact. Min.	Q Test Freq. (MHz)	SRF Min. (MHz)	DCR Max. ( $\Omega$ )	Rated DC (mA)
CT1008LS-122_	1.2	7.9	44	50	220	0.7	650
CT1008LS-152_	1.5	7.9	40	50	210	0.7	630
CT1008LS-182_	1.8	7.9	35	50	170	0.8	600
CT1008LS-222_	2.2	7.9	35	50	150	1.2	520
CT1008LS-272_	2.7	7.9	34	50	135	1.5	490
CT1008LS-332_	3.3	7.9	28	50	120	1.7	450
CT1008LS-392_	3.9	7.9	28	7.9	95	1.8	420
CT1008LS-472_	4.7	7.9	28	7.9	80	1.9	400
CT1008LS-562_	5.6	7.9	28	7.9	75	2.2	380
CT1008LS-682_	6.8	7.9	28	7.9	65	2.4	360
CT1008LS-822_	8.2	7.9	28	7.9	60	2.6	330
CT1008LS-103_	10	7.9	28	7.9	60	3.4	300
CT1008LS-123_	12	2.5	28	7.9	50	4.4	270
CT1008LS-153_	15	2.5	28	7.9	45	5.2	270
CT1008LS-183_	18	2.5	25	7.9	25	5.5	270
CT1008LS-223_	22	2.5	24	7.9	25	6.2	250
CT1008LS-273_	27	2.5	24	7.9	20	6.8	250
CT1008LS-333_	33	2.5	23	7.9	20	8.0	250
CT1008LS-393_	39	2.5	23	7.9	20	8.7	250
CT1008LS-473_	47	2.5	23	7.9	20	12.5	250

### PHYSICAL DIMENSIONS

Size	A Max.	B Max.	C Max.	D	E	F
mm	2.55	2.38	2.1	2	0.5	1.43
inches	0.1	0.09	0.08	0.08	0.02	0.06

