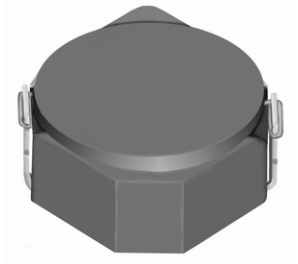
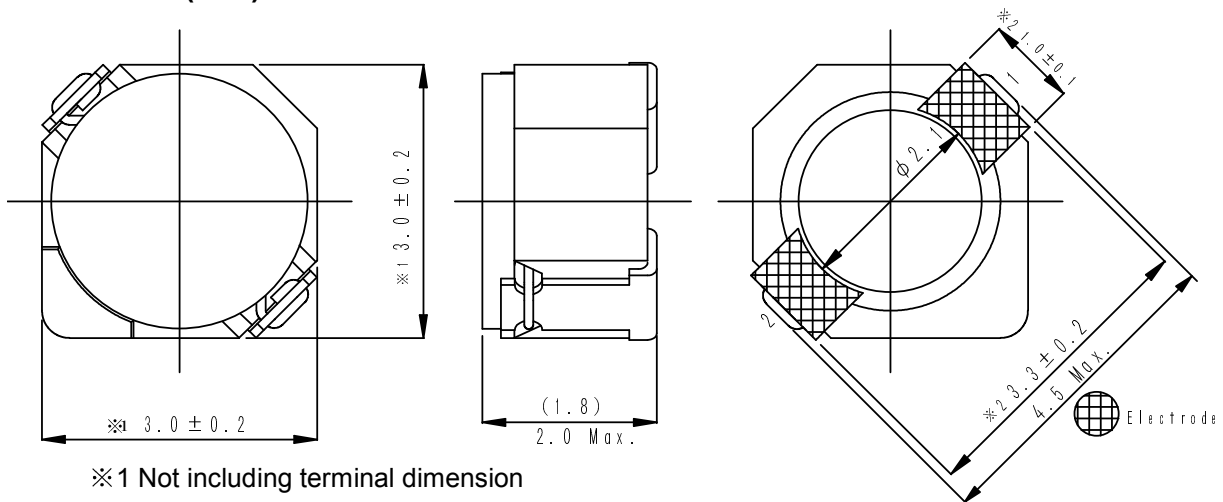
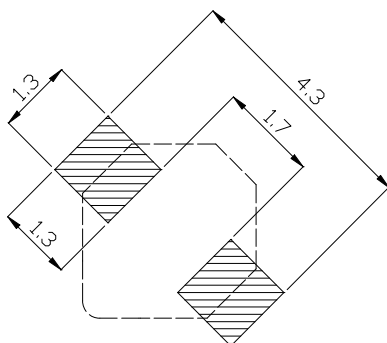


**Type: CDRH2D18/EHP**
**◆ Product Description**

- 3.2×3.2mm Max.(L×W),2.0mm Max. height
- Inductance range: 1.2~22μH.
- Rated current range: 0.48~2.5A.
- Custom design is available.


**◆ Feature**

- Magnetically shielded construction.
- Storage temperature range: -40°C ~+100°C.
- Operating temperature range: -40°C ~+100°C (Including coil's self temperature rise).
- Ideally used in Mobile phone, PDA, MP3, DSC/DVC, Portable DVD, etc as DC-DC converter inductors.
- RoHS compliance.

**◆ Dimensions (mm)**

**◆ Land Pattern (mm)**


**Type: CDRH2D18/EHP**
**◆ Specification**

Part Name ※	Stamp	Inductance ( $\mu$ H) 100kHz/1V	D.C.R.(m $\Omega$ ) Max.(Typ.) (at 20°C)	Saturation Current (A) ※1		Temperature Rise Current (A) ※2
				at 20°C	at 100°C	
CDRH2D18EHPNP-1R2N□	A	1.2 $\pm$ 30%	43(33)	2.50	1.90	2.65
CDRH2D18EHPNP-1R5N□	B	1.5 $\pm$ 30%	44(35)	1.85	1.36	2.20
CDRH2D18EHPNP-2R2N□	C	2.2 $\pm$ 30%	60(48)	1.60	1.15	1.90
CDRH2D18EHPNP-3R3N□	D	3.3 $\pm$ 30%	86(69)	1.45	1.10	1.55
CDRH2D18EHPNP-4R7N□	E	4.7 $\pm$ 30%	140(110)	1.20	0.90	1.20
CDRH2D18EHPNP-5R6N□	F	5.6 $\pm$ 30%	160(128)	1.05	0.78	1.15
CDRH2D18EHPNP-6R8N□	G	6.8 $\pm$ 30%	245(195)	0.98	0.73	0.95
CDRH2D18EHPNP-100N□	I	10.0 $\pm$ 30%	245(195)	0.85	0.65	0.90
CDRH2D18EHPNP-150N□	K	15.0 $\pm$ 30%	378(303)	0.70	0.53	0.64
CDRH2D18EHPNP-220N□	M	22.0 $\pm$ 30%	715(572)	0.54	0.41	0.48

**※ Description of part name**

CDRH2D18EHPNP-1R2N□

- B Box
- C Carrier Tape

※1.Saturation current: The DC current at which the inductance decreases to 65% of its nominal value.

 ※2.Temperature rise current: The DC current at which the temperature rise is  $\Delta t=40^{\circ}\text{C}$ .( $T_a=20^{\circ}\text{C}$ )