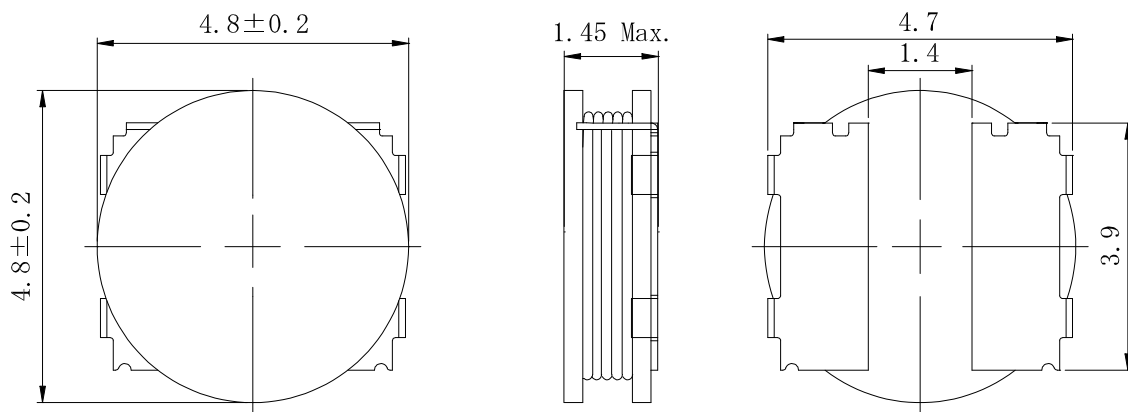
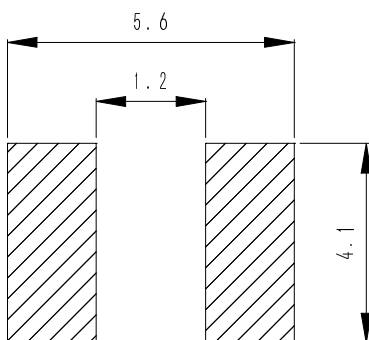
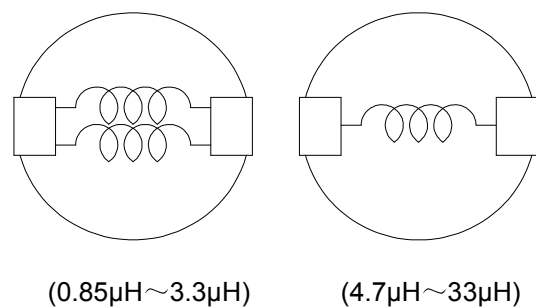


Type: CDH48D14/SHP
◆ Product Description

- 5.0 × 5.0mm Max.(L × W), 1.5mm Max. Height.
- Inductance range: 0.85 ~ 33 μH.
- Rated current range: 0.60 ~ 3.2A.
- Custom design is available.


◆ Feature

- Magnetically unshielded construction.
- Ideally used in Mobilephone, PDA, MP3, DSC/DVC, HDD, etc as DC-DC Converter inductors.
- RoHS Compliance

◆ Dimensions (mm)

◆ Land Pattern (mm)

◆ Schematics (Bottom)


Type: CDH48D14/SHP
◆ Specification

Part Name ※	Stamp	Inductance (μ H) 100kHz/1V	D.C.R. (m Ω) Max.(Typ.) (20°C)	Saturation Current (A) ※1		Temperature Rise current (A) ※2
				at 20°C	at 105°C	
CDH48D14SHPNP-R85M□	R85	0.85 \pm 20%	42.9(34.3)	4.50	3.70	3.20
CDH48D14SHPNP-1R2M□	1R2	1.2 \pm 20%	51.9(41.5)	3.80	3.15	3.00
CDH48D14SHPNP-1R5M□	1R5	1.5 \pm 20%	59.0(47.2)	3.50	2.90	2.80
CDH48D14SHPNP-2R0M□	2R0	2.0 \pm 20%	68.6(54.9)	3.20	2.60	2.60
CDH48D14SHPNP-3R3M□	3R3	3.3 \pm 20%	107(85.5)	2.50	2.05	2.05
CDH48D14SHPNP-4R7M□	4R7	4.7 \pm 20%	145(116)	2.05	1.70	1.75
CDH48D14SHPNP-5R6M□	5R6	5.6 \pm 20%	195(156)	1.82	1.50	1.45
CDH48D14SHPNP-6R8M□	6R8	6.8 \pm 20%	215(172)	1.70	1.40	1.35
CDH48D14SHPNP-8R2M□	8R2	8.2 \pm 20%	250(200)	1.60	1.30	1.30
CDH48D14SHPNP-100M□	100	10 \pm 20%	269(215)	1.44	1.20	1.25
CDH48D14SHPNP-120M□	120	12 \pm 20%	386(309)	1.30	1.05	1.05
CDH48D14SHPNP-150M□	150	15 \pm 20%	434(347)	1.20	0.98	0.98
CDH48D14SHPNP-220M□	220	22 \pm 20%	765(612)	0.97	0.78	0.73
CDH48D14SHPNP-330M□	330	33 \pm 20%	1068(854)	0.80	0.65	0.60

※ Description of part name

CDH48D14SHPNP-1R2M□

□	B	Box
□	C	Carrier Tape

※1.Saturation Current: The DC current at which the inductance decreases to 70% of it's nominal value.

 ※2.Temperature rise current: The DC current at which the temperature rise is $\Delta t=40^{\circ}\text{C}$.($T_a=20^{\circ}\text{C}$)