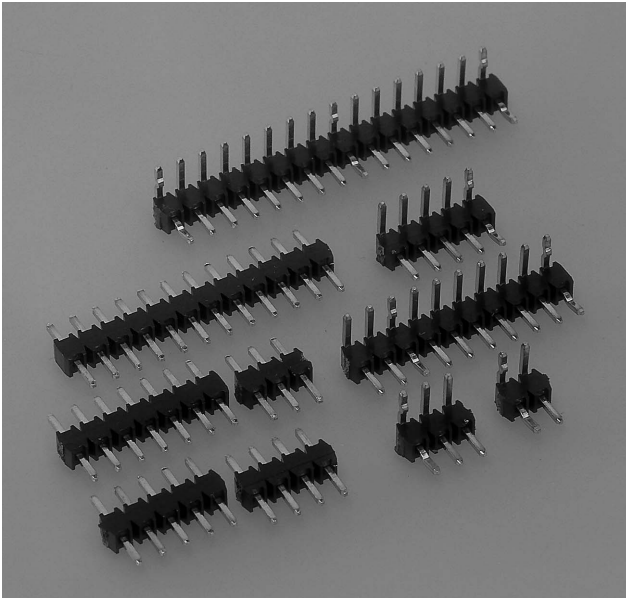




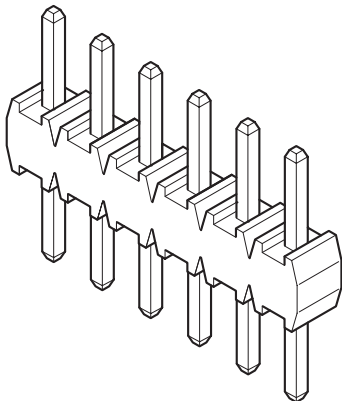
2.5mm
pitch

TB HEADER

Headers



This header, measuring 2.5mm in pitch, can be easily cut into any required length. Thus, only one size needs to be stocked for prototyping and preproduction purposes.



Specifications

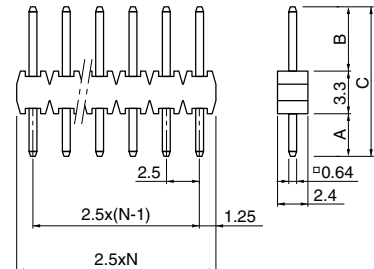
- Current rating: 3A AC, DC
- Voltage rating: 250V AC, DC
- Temperature range: -25°C to +85°C
(including temperature rise in applying electrical current)
- Post: Brass, copper-undercoated tin-plated
(reflow treatment)
- Wafer: Glass-filled PBT, UL94V-0
- Pitch: 2.5mm
- Number of circuits: 2 to 24
- * Compliant with RoHS.
- * Refer to "General Instruction and Notice when using Terminals and Connectors" at the end of this catalog.
- * Contact JST for details.

Specifications

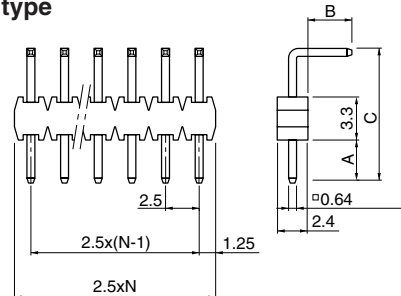
Recognized E60389

Header

Top entry type



Side entry type



Note: N --- Number of circuits

Circuits	Model No.	
	Top entry type	Side entry type
2 to 24	B ()P-TB (*)	B ()PS-TB (*)

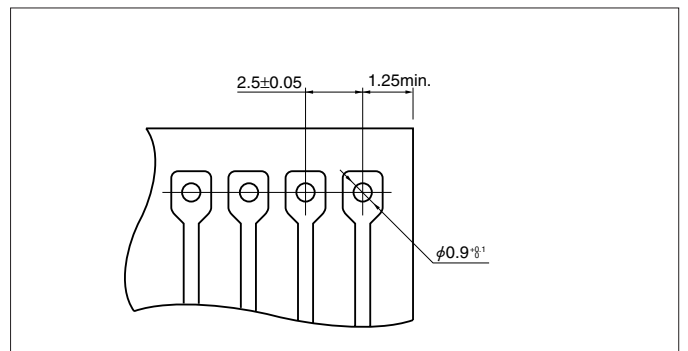
RoHS compliance This product displays (LF)(SN) on a label.

Note:

1. The number of circuits (2 to 24) will be filled in the parentheses above.
2. (*) differs according to the dimensions A, B & C, and to the post clinching specification.

Contact JST for details.

PC board layout (viewed from soldering side)



Note:

1. Tolerances are non-cumulative: ±0.05mm for all centers.
2. Hole dimensions differ according to the kind of PC board and piercing method. The dimensions above should serve as a guideline. Contact JST for details.