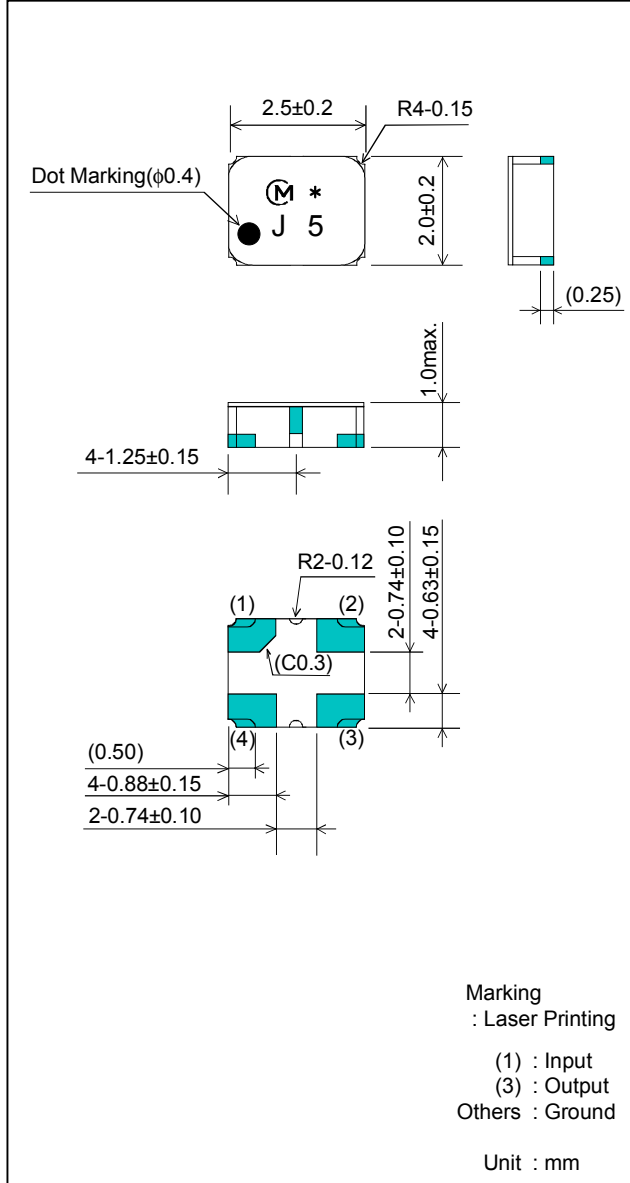


SAW FILTER FOR GPS

Murata part number :SAFSE1G57KA0T90

Package Dimensions



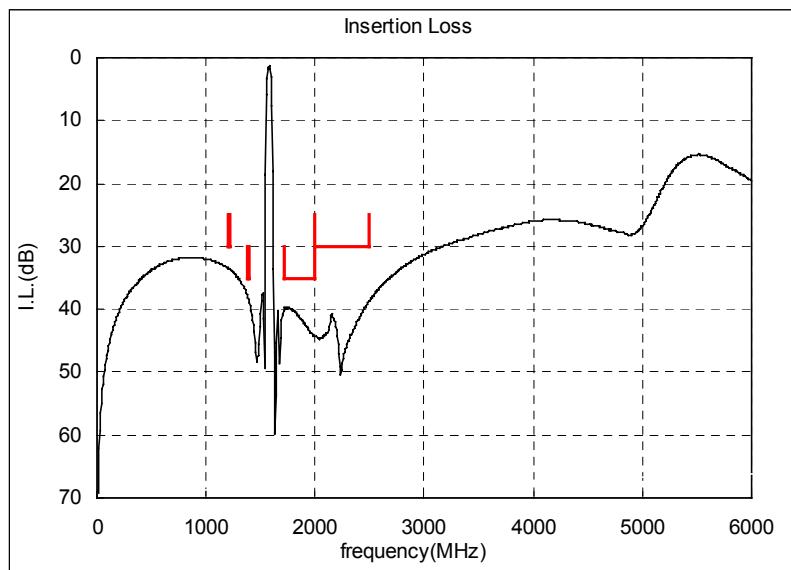
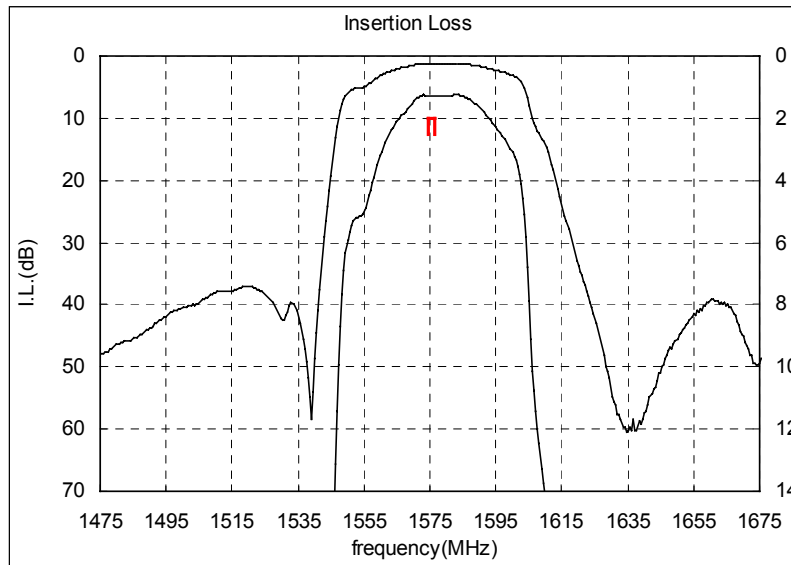
Specification

Item	Specification	
	-40 to +85°C	typ.
Nominal Center Frequency(fc)	1575.42 MHz	
Insertion Loss (1574.42 to 1576.42 MHz)	2.0 dB max.	1.1 dB
Absolute Attenuation		
1) 100 to 960 MHz	30 dB min.	33 dB
2) 1205 to 1215 MHz	30 dB min.	35 dB
3) 1385 to 1395 MHz	35 dB min.	40 dB
4) 1710 to 1990 MHz	35 dB min.	38 dB
5) 1990 to 2500 MHz	30 dB min.	40 dB
Ripple Deviation (1574.42 to 1576.42 MHz)	1.5 dB max.	0.1 dB
VSWR (1574.42 to 1576.42 MHz)	1.8 max.	1.4
Input/Output Impedance (nominal)	50Ω	
Input Signal Level	50mW (+17dBm), 2000 hours	

SAW FILTER FOR GPS

Murata part number :SAFSE1G57KA0T90

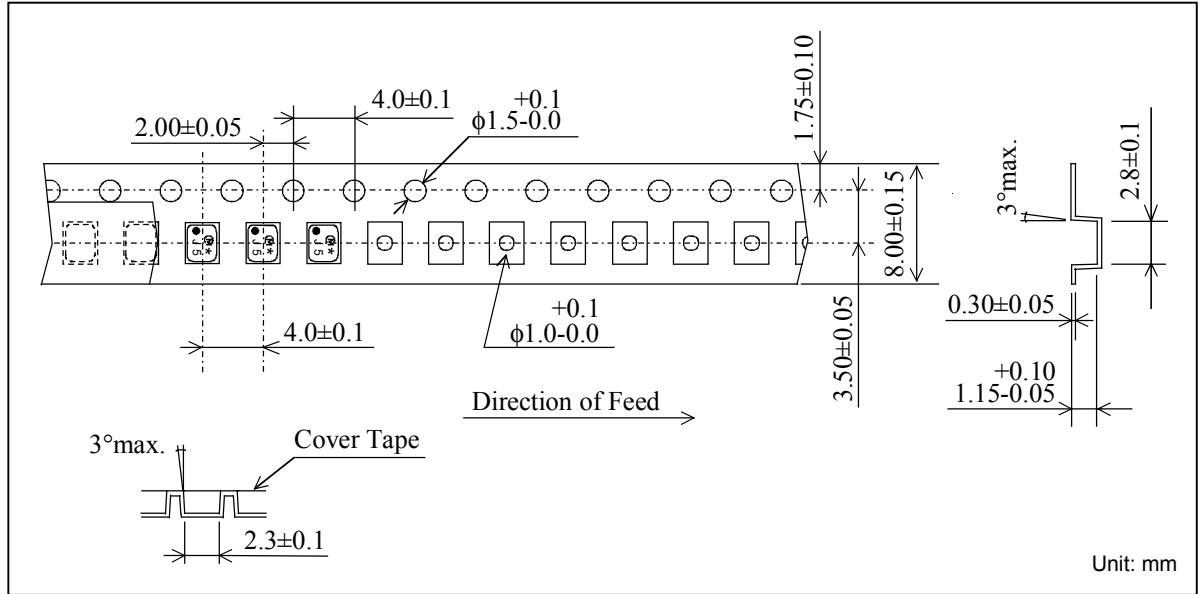
■ Frequency Performance



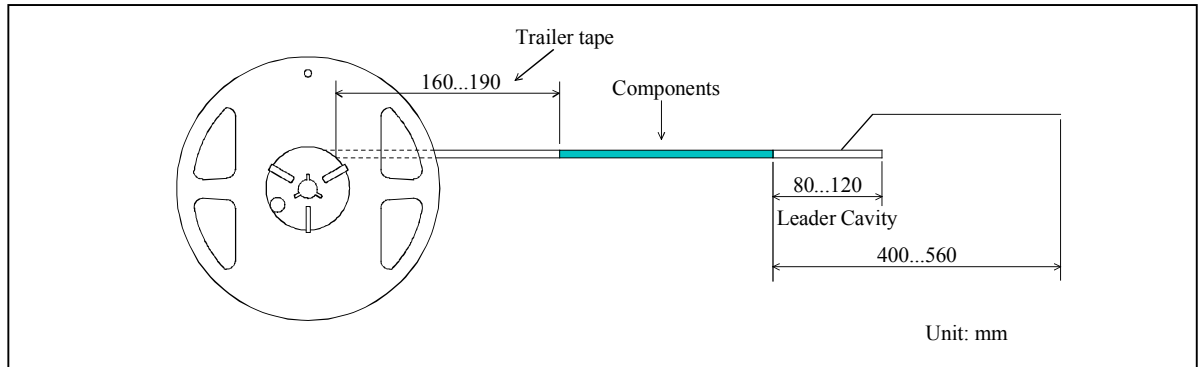
SAW FILTER FOR GPS

Murata part number : SAFSE1G57KA0T90

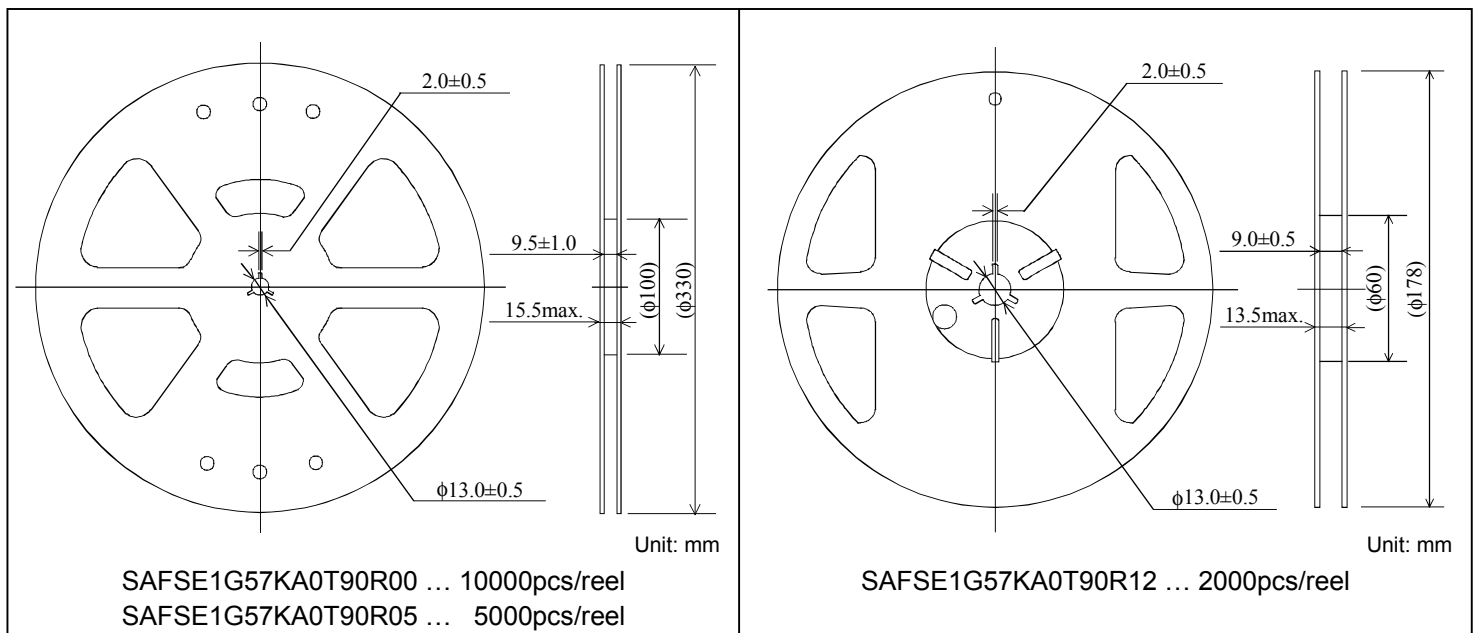
■ Dimensions of Carrier Tape



■ Dimensions of Tape



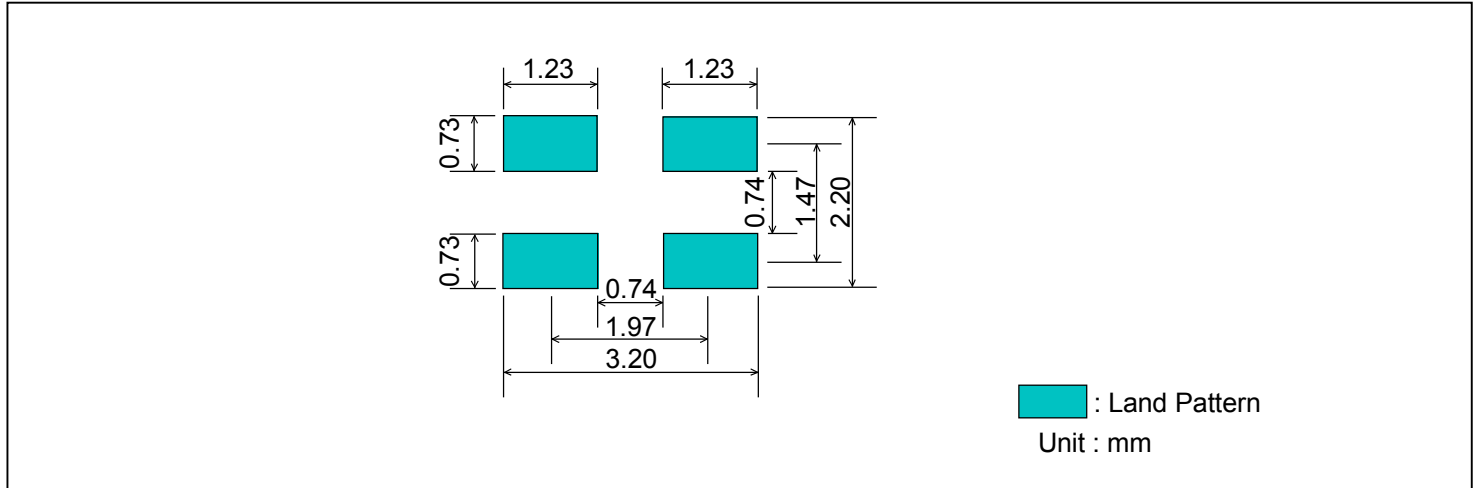
■ Dimensions of Reel



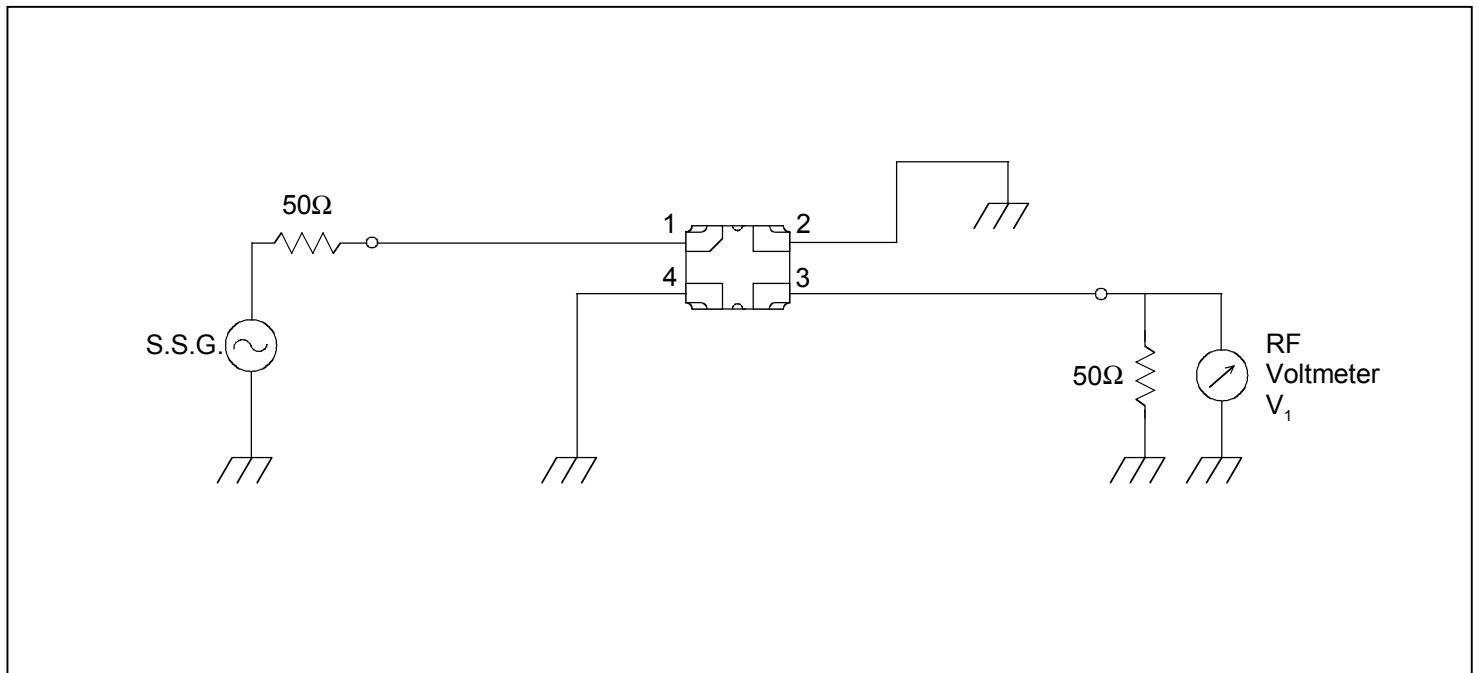
SAW FILTER FOR GPS

Murata part number :SAFSE1G57KA0T90

■ Recommended Land Pattern



■ Test Circuit



- This PDF Datasheet is downloaded from the website of Murata Manufacturing Co., Ltd. Therefore, it's specifications are subject to change or our products in it may be discontinued without advance notice. Please check with our sales representatives or product engineers before ordering.
- This PDF Datasheet has only typical specifications because there is no space for detailed specifications. Therefore, please approve our product specifications or transact the approval sheet for product specifications before ordering.