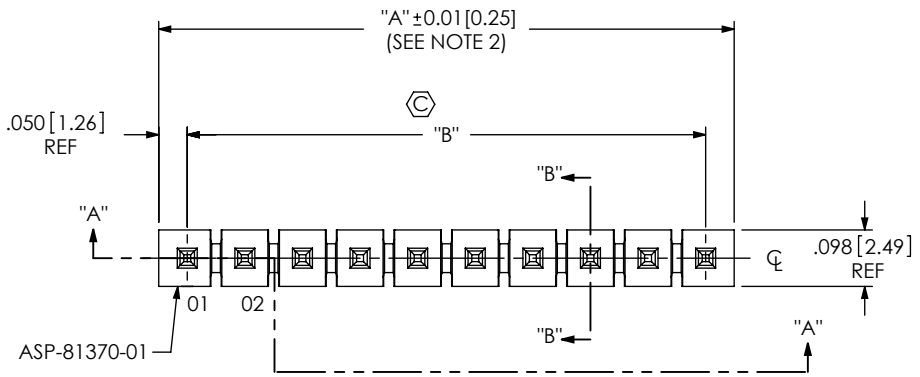


DO NOT SCALE FROM THIS PRINT

DESIGNED & DIMENSIONED IN INCHES[MILLIMETERS]

PHT-1XX-XX-X-X-XXX



No OF POSITIONS
-01 (SINGLE ROW ONLY)
-02 THRU -50 (PER ROW)

POLARIZATION OPTION
-XXX INDICATES POSITION

LEAD STYLE
-01: (USE T-1S58-01-X)
-02: (USE T-1S58-02-X)
-03: (USE T-1S58-03-X)
-04: (USE T-1S58-04-X)

ROW SPECIFICATION
-S: SINGLE
-D: DOUBLE

PLATING SPECIFICATION
-S: SELECTIVE, .000030 GOLD ON POST, TIN ON TAIL
-L: SELECTIVE, .000010 GOLD ON POST, TIN ON TAIL

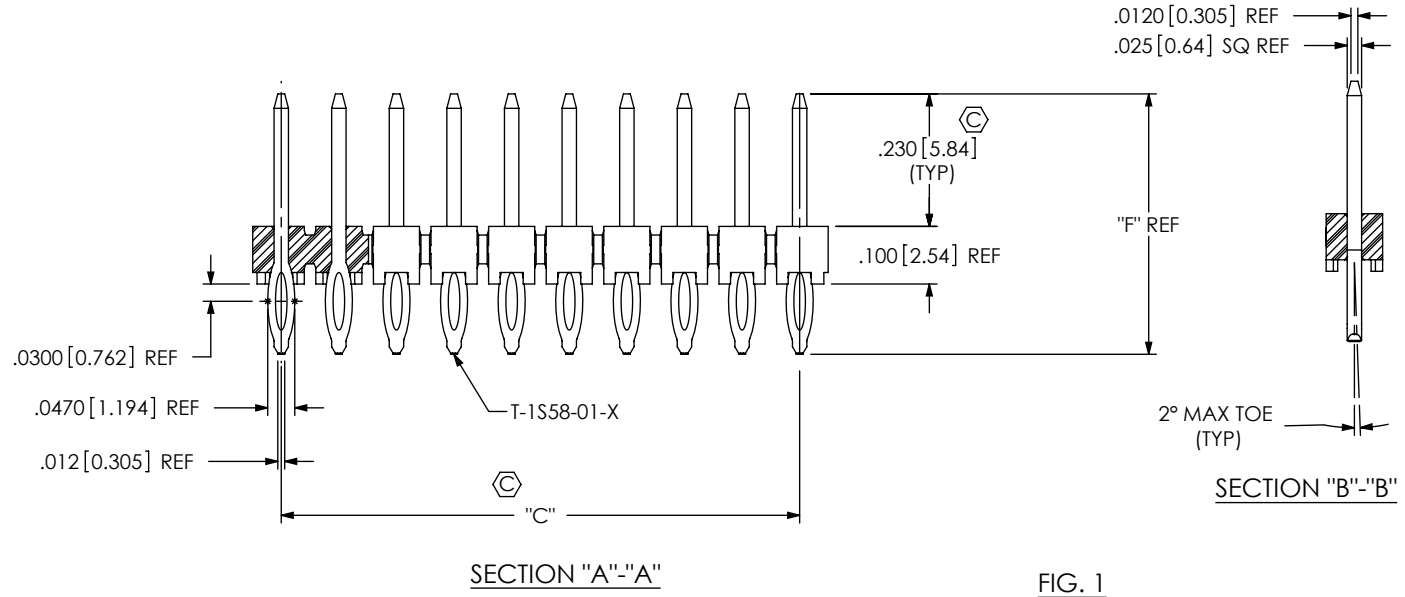


FIG. 1 (PHT-1XX-01-X-S SHOWN)

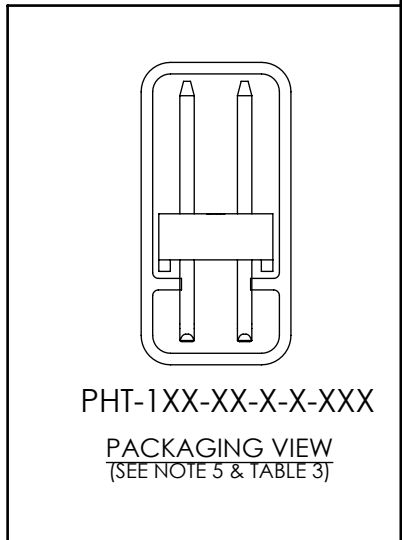


TABLE 1

LEAD STYLE	"E"	"F"
-01	N/A	0.452 [11.48]
-02	0.200 [5.08]	0.552 [14.02]
-03	0.300 [7.62]	0.652 [16.56]
-04	0.400 [10.16]	0.752 [19.10]

TABLE 3 - PACKAGING

LEAD STYLE	ROW SPEC.	TUBE	PLUG
-01	-S	PT-1-24-01-53	TP-24
	-D	PT-1-24-02-53	TP-03
-02	-S	PT-1-24-01-24	TP-24
	-D	PT-1-24-06-29	TP-09
-03	-S	PT-1-24-10-03	TP-24
	-D	PT-FW004-0X-D-EX	TP-03
-04	-S	PT-1-24-10-03	TP-24
	-D	PT-FW004-0X-D-EX	TP-03

D
D
D

- NOTES:
- © REPRESENTS A CRITICAL DIMENSION.
 - MAXIMUM CUT FLASH: .020 [.51].
 - MINIMUM CONTACT RETENTION: .5 LB PER PIN.
 - PARTS MAY BE CUT TO POS.
 - BULK PACKAGED TO BE USED FOR 4 POSITION AND BELOW. TUBE TO BE USED FOR 5 POSITION AND ABOVE. 50 POSITION STRIPS USED FOR STOCK ARE TO BE LAYER PACKAGED.
 - MAX ALLOWABLE BOW .002[0.05] INCH/INCH AFTER ASSEMBLY.

UNLESS OTHERWISE SPECIFIED, DIMENSIONS ARE IN INCHES[MILLIMETERS].
TOLERANCES ARE:
DECIMALS ANGLES
.XX: ±.01 [.3] 2°
.XXX: ±.005 [.13]
.XXXX: ±.0020 [.051]

PROPRIETARY NOTE
THIS DOCUMENT CONTAINS INFORMATION CONFIDENTIAL AND PROPRIETARY TO SAMTEC, INC. AND SHALL NOT BE REPRODUCED OR TRANSFERRED TO OTHER DOCUMENTS OR DISCLOSED TO OTHERS OR USED FOR ANY PURPOSE OTHER THAN THAT WHICH IT WAS OBTAINED WITHOUT THE EXPRESSED WRITTEN CONSENT OF SAMTEC, INC.

MATERIAL: DO NOT SCALE DRAWING SHEET SCALE: 3:1
INSULATOR: LCP, UL 94 VO
COLOR: BLACK
CONTACT: PHOS BRONZE

samtec
520 PARK EAST BLVD, NEW ALBANY, IN 47150
PHONE: 812-944-6733 FAX: 812-948-5047
e-Mail: info@SAMTEC.com code: 55322

DESCRIPTION: .100 PRESS FIT SOCKET ASSEMBLY
DWG. NO. PHT-1XX-XX-X-X-XXX
BY: VICKY Z 09/08/2009 **SHEET 1 OF 3**

TABLE 2

No. OF POS	"A"	"B"	"C"	"D"
-01	0.100 [2.54]	N/A	N/A	0.095 [2.41]
-02	0.200 [5.08]	0.100 [2.54]	0.100 [2.54]	0.195 [4.95]
-03	0.300 [7.62]	0.200 [5.08]	0.200 [5.08]	0.295 [7.49]
-04	0.400 [10.16]	0.300 [7.62]	0.300 [7.62]	0.395 [10.03]
-05	0.500 [12.70]	0.400 [10.16]	0.400 [10.16]	0.495 [12.57]
-06	0.600 [15.24]	0.500 [12.70]	0.500 [12.70]	0.595 [15.11]
-07	0.700 [17.78]	0.600 [15.24]	0.600 [15.24]	0.695 [17.65]
-08	0.800 [20.32]	0.700 [17.78]	0.700 [17.78]	0.795 [20.19]
-09	0.900 [22.86]	0.800 [20.32]	0.800 [20.32]	0.895 [22.73]
-10	1.000 [25.40]	0.900 [22.86]	0.900 [22.86]	0.995 [25.27]
-11	1.100 [27.94]	1.000 [25.40]	1.000 [25.40]	1.095 [27.81]
-12	1.200 [30.48]	1.100 [27.94]	1.100 [27.94]	1.195 [30.35]
-13	1.300 [33.02]	1.200 [30.48]	1.200 [30.48]	1.295 [32.89]
-14	1.400 [35.56]	1.300 [33.02]	1.300 [33.02]	1.395 [35.43]
-15	1.500 [38.10]	1.400 [35.56]	1.400 [35.56]	1.495 [37.97]
-16	1.600 [40.64]	1.500 [38.10]	1.500 [38.10]	1.595 [40.51]
-17	1.700 [43.18]	1.600 [40.64]	1.600 [40.64]	1.695 [43.05]
-18	1.800 [45.72]	1.700 [43.18]	1.700 [43.18]	1.795 [45.59]
-19	1.900 [48.26]	1.800 [45.72]	1.800 [45.72]	1.895 [48.13]
-20	2.000 [50.80]	1.900 [48.26]	1.900 [48.26]	1.995 [50.67]
-21	2.100 [53.34]	2.000 [50.80]	2.000 [50.80]	2.095 [53.21]
-22	2.200 [55.88]	2.100 [53.34]	2.100 [53.34]	2.195 [55.75]
-23	2.300 [58.42]	2.200 [55.88]	2.200 [55.88]	2.295 [58.29]
-24	2.400 [60.96]	2.300 [58.42]	2.300 [58.42]	2.395 [60.83]
-25	2.500 [63.50]	2.400 [60.96]	2.400 [60.96]	2.495 [63.37]
-26	2.600 [66.04]	2.500 [63.50]	2.500 [63.50]	2.595 [65.91]
-27	2.700 [68.58]	2.600 [66.04]	2.600 [66.04]	2.695 [68.45]
-28	2.800 [71.12]	2.700 [68.58]	2.700 [68.58]	2.795 [70.99]
-29	2.900 [73.66]	2.800 [71.12]	2.800 [71.12]	2.895 [73.53]
-30	3.000 [76.20]	2.900 [73.66]	2.900 [73.66]	2.995 [76.07]
-31	3.100 [78.74]	3.000 [76.20]	3.000 [76.20]	3.095 [78.61]
-32	3.200 [81.28]	3.100 [78.74]	3.100 [78.74]	3.195 [81.15]
-33	3.300 [83.82]	3.200 [81.28]	3.200 [81.28]	3.295 [83.69]
-34	3.400 [86.36]	3.300 [83.82]	3.300 [83.82]	3.395 [86.23]
-35	3.500 [88.90]	3.400 [86.36]	3.400 [86.36]	3.495 [88.77]
-36	3.600 [91.44]	3.500 [88.90]	3.500 [88.90]	3.595 [91.31]
-37	3.700 [93.98]	3.600 [91.44]	3.600 [91.44]	3.695 [93.85]
-38	3.800 [96.52]	3.700 [93.98]	3.700 [93.98]	3.795 [96.39]
-39	3.900 [99.06]	3.800 [96.52]	3.800 [96.52]	3.895 [98.93]
-40	4.000 [101.60]	3.900 [99.06]	3.900 [99.06]	3.995 [101.47]
-41	4.100 [104.14]	4.000 [101.60]	4.000 [101.60]	4.095 [104.01]
-42	4.200 [106.68]	4.100 [104.14]	4.100 [104.14]	4.195 [106.55]
-43	4.300 [109.22]	4.200 [106.68]	4.200 [106.68]	4.295 [109.09]
-44	4.400 [111.76]	4.300 [109.22]	4.300 [109.22]	4.395 [111.63]
-45	4.500 [114.30]	4.400 [111.76]	4.400 [111.76]	4.495 [114.17]
-46	4.600 [116.84]	4.500 [114.30]	4.500 [114.30]	4.595 [116.71]
-47	4.700 [119.38]	4.600 [116.84]	4.600 [116.84]	4.695 [119.25]
-48	4.800 [121.92]	4.700 [119.38]	4.700 [119.38]	4.795 [121.79]
-49	4.900 [124.46]	4.800 [121.92]	4.800 [121.92]	4.895 [124.33]
-50	5.000 [127.00]	4.900 [124.46]	4.900 [124.46]	4.995 [126.87]

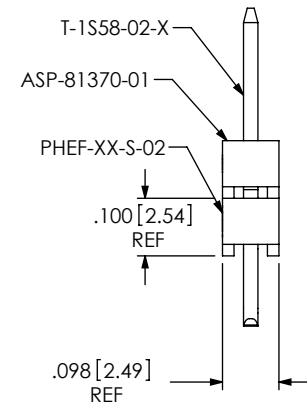
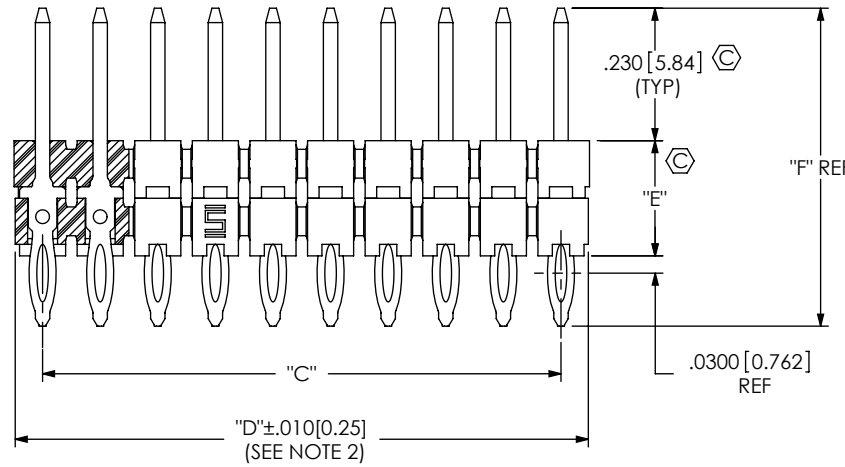
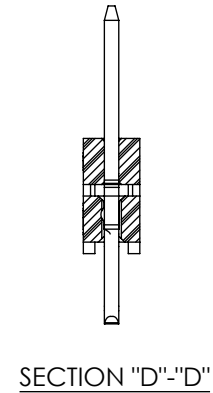
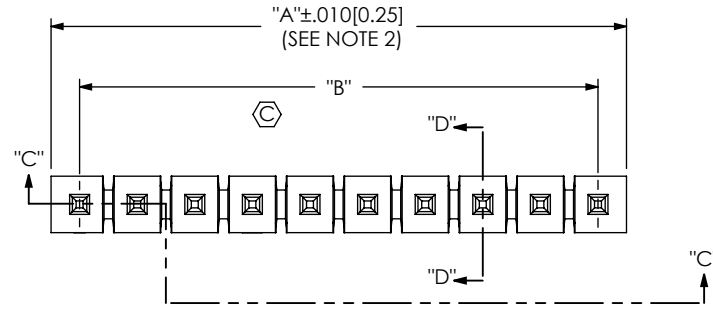
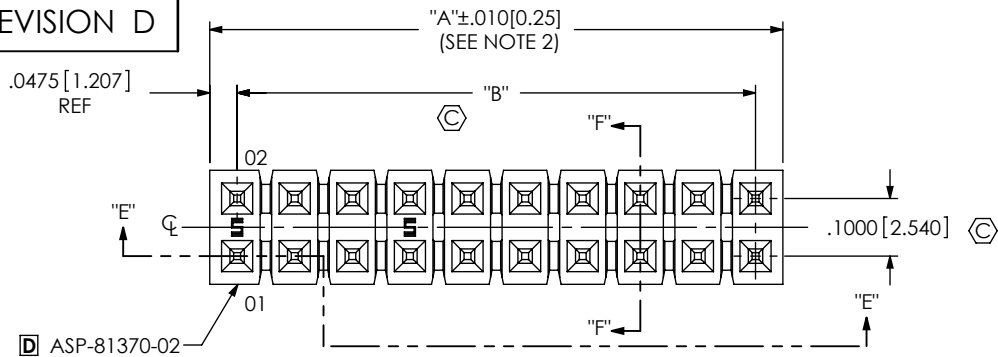


FIG 2
(PHT-1XX-02-X-3 SHOWN)
(SAME AS FIG 1, EXCEPT AS SHOWN)
(FOR -02, -03 & -04 LEAD STYLE ONLY)

<p>PROPRIETARY NOTE</p> <p>THIS DOCUMENT CONTAINS INFORMATION CONFIDENTIAL AND PROPRIETARY TO SAMTEC, INC. AND SHALL NOT BE REPRODUCED OR TRANSFERRED TO OTHER DOCUMENTS OR DISCLOSED TO OTHERS OR USED FOR ANY PURPOSE OTHER THAN THAT WHICH IT WAS OBTAINED WITHOUT THE EXPRESSED WRITTEN CONSENT OF SAMTEC, INC.</p> <p>DO NOT SCALE DRAWING</p> <p>SHEET SCALE: 3:1</p>		
	<p>520 PARK EAST BLVD., NEW ALBANY, IN 47150 PHONE: 812-944-6733 FAX: 812-948-5047 e-Mail: info@SAMTEC.com code: 55322</p>	
	<p>DESCRIPTION: .100 PRESS FIT SOCKET ASSEMBLY</p>	
	<p>DWG. NO. PHT-1XX-XX-X-X-XXX</p>	
<p>BY: VICKY Z 09/08/2009</p>		<p>SHEET 2 OF 3</p>

REVISION D



ASP-81370-02

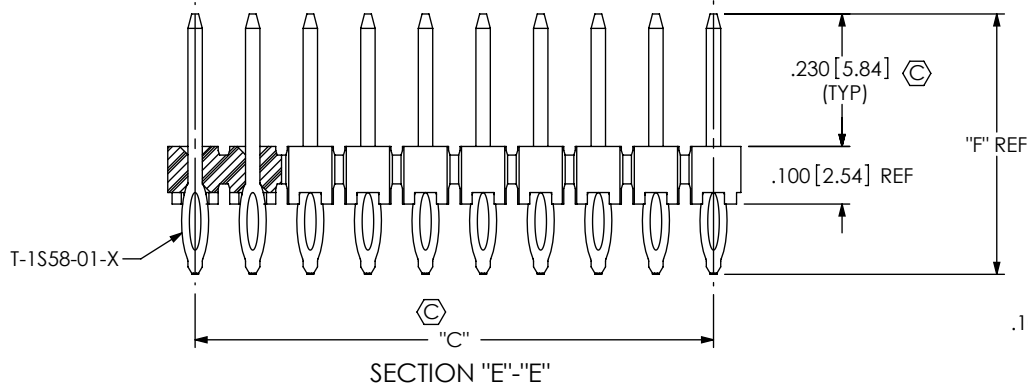
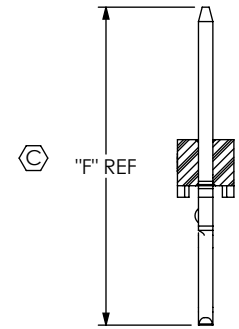
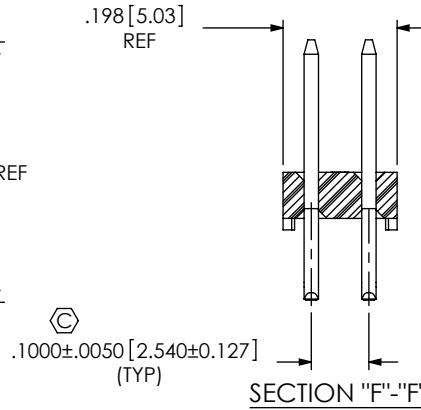


FIG 3
(PHT-1XX-01-X-D SHOWN)
(SAME AS FIG 1, EXCEPT AS SHOWN)



IN-PROGRESS
-S ROW
(FOR -02, -03 & -04 LEAD STYLE ONLY)

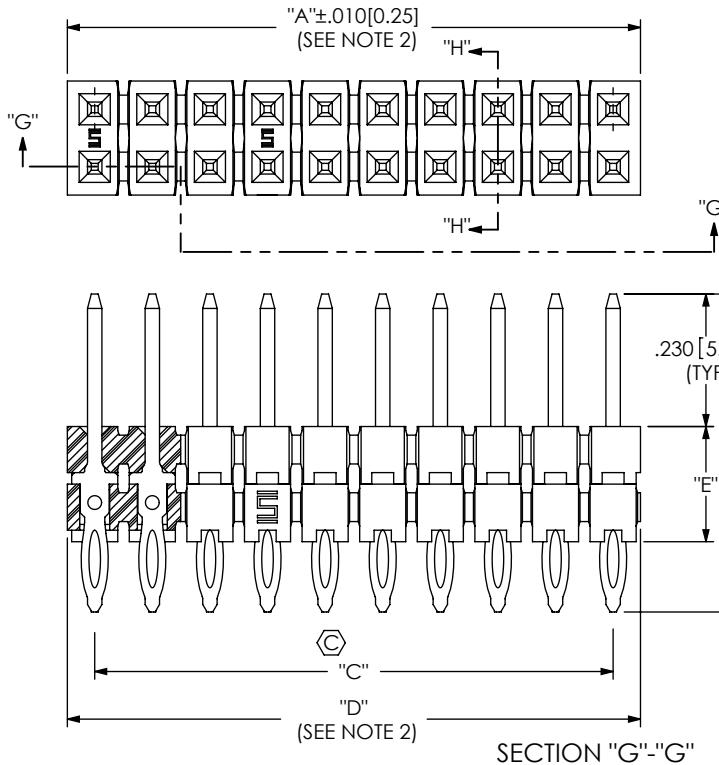
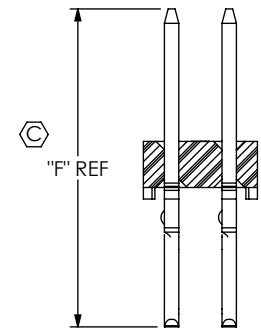
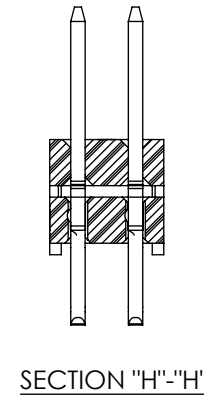
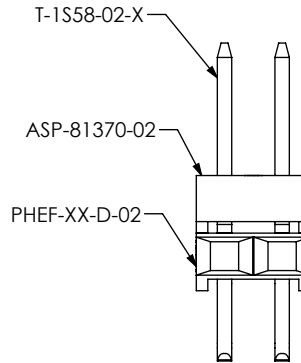


FIG 4
(PHT-1XX-02-X-D SHOWN)
(SAME AS FIG 3, EXCEPT AS SHOWN)
(FOR -02, -03, & -04 LEAD STYLE ONLY)



IN-PROGRESS
-D ROW
(FOR -02, -03 & -04 LEAD STYLE ONLY)

PROPRIETARY NOTE

THIS DOCUMENT CONTAINS INFORMATION CONFIDENTIAL AND PROPRIETARY TO SAMTEC, INC. AND SHALL NOT BE REPRODUCED OR TRANSFERRED TO OTHER DOCUMENTS OR DISCLOSED TO OTHERS OR USED FOR ANY PURPOSE OTHER THAN THAT WHICH IT WAS OBTAINED WITHOUT THE EXPRESSED WRITTEN CONSENT OF SAMTEC, INC.

DO NOT SCALE DRAWING

SHEET SCALE: 3:1

samtec

520 PARK EAST BLVD, NEW ALBANY, IN 47150
PHONE: 812-944-6733 FAX: 812-948-5047
e-Mail: info@SAMTEC.com code: 55322

DESCRIPTION: .100 PRESS FIT SOCKET ASSEMBLY

DWG. NO. PHT-1XX-XX-X-X-XXX

BY: VICKY Z 09/08/2009 SHEET 3 OF 3