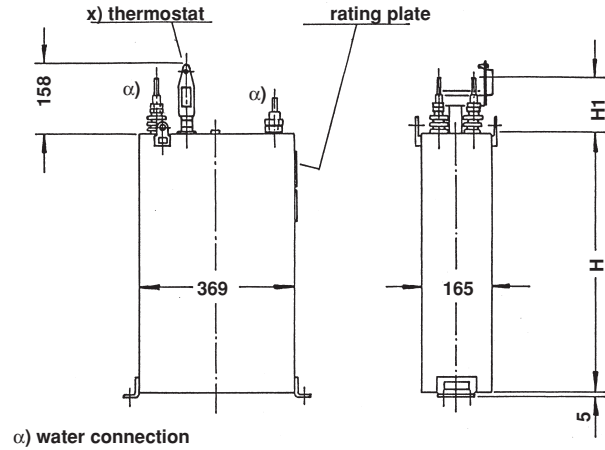


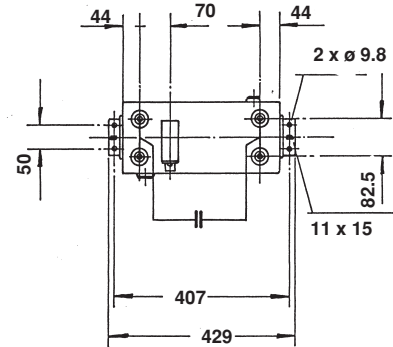
# Medium Frequency Capacitors, Water Cooled

**ESTafilm<sup>®</sup>, SINGLE OUTPUTS NOT SUBDIVIDED, 150 - 5000Hz**
**DESIGN**

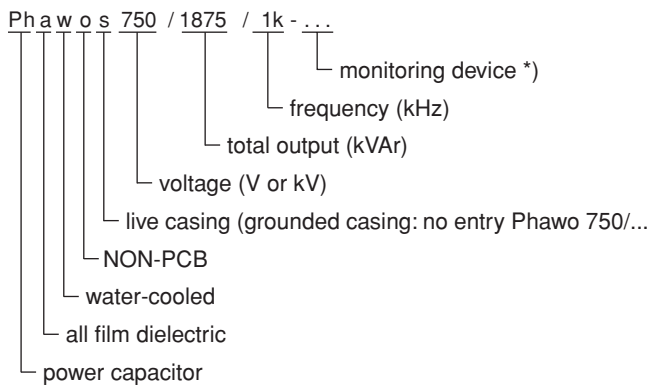
- All-film winding in brass sheet welded casing;
- Casing conductive, or grounded;
- Casing varnish RAL 7033;
- IP00, indoor;
- Ambient temperature 1°C .... 50°C;
- Outflowing water temperature 40° C maximum;
- 2 water-cooled current connections M20;
- Water tubing conductive;
- Mounting in the upright or horizontal position;
- Upon request, temperature or pressure monitoring;



α) water connection



x) upon request

**TYPE DESIGNATION**


\*) – ST = thermostat  
 – DR = pressure switch } Not all types available.



150 - 5000Hz (not subdivided)							
F <sub>N</sub> (Hz)	U <sub>N</sub> (V)	Q <sub>N</sub> (kVAr)	C <sub>N</sub> (μF)	I <sub>N</sub> (A)	CASING		H (mm)
					CONDUCTIVE	GROUNDED	
150	600	800	2358	1333	X	X	1000
	1000	1400	1485	1400	X	X	1000
	1500	1800	849	1200	X	X	1000
	2000	1720	456	860	X	X	1000
	2500	1350	229	540	X	X	1000
	3000	2000	236	667	X	X	1000
250	600	1120	1981	1867	X	X	1000
	1000	2000	1273	2000	X	X	1000
	1500	2750	778	1833	X	X	1000
	2000	2600	414	1300	X	X	1000
	2500	2000	204	800	X	X	1000
	3000	3333	236	1111	X	X	1000
300	600	1375	2026	2292	X	X	1000
	1000	2400	1273	2400	X	X	1000
	1500	3000	707	2000	X	X	1000
	2000	3150	418	1575	X	X	1000
	2500	2350	200	940	X	X	1000
	3000	4000	236	1333	X	X	1000
500	250	460	2343	1840	X	X	1000
	600	1500	1326	2500	X	X	800
	1000	2500	796	2500	X	X	700
	1500	3750	531	2500	X	X	800
	2000	4900	390	2450	X	X	1000
	2500	3700	188	1480	X	X	1000
	3000	6666	236	2222	X	X	1000
600	250	560	2377	2240	X	X	1000
	600	1500	1105	2500	X	X	700
	1000	2500	663	2500	X	X	600
	1500	3750	442	2500	X	X	700
	2000	5000	332	2500	X	X	900
	2500	4200	178	1680	X	X	1000
	3000	8000	236	2667	X	X	1000



150 - 5000Hz (not subdivided)							
F <sub>N</sub> (Hz)	U <sub>N</sub> (V)	Q <sub>N</sub> (kVAR)	C <sub>N</sub> (µF)	I <sub>N</sub> (A)	CASING		H (mm)
					CONDUCTIVE	GROUNDED	
1000	250	625	1592	2500	X	X	700
	600	1500	663	2500	X	X	500
	750	1875	531	2500	X	X	450
	1000	2500	398	2500	X	X	450
	1500	3750	265	2500	X	X	600
	2000	5000	199	2500	X	X	750
	2500	6250	159	2500	X	X	950
2000	250	625	796	2500	X	X	500
	600	1500	332	2500	X	X	500
	750	1875	265	2500	X	X	500
	1000	2500	199	2500	X	X	450
	1500	3750	133	2500	X	X	450
	2000	5000	99	2500	X	X	500
	2400	6000	83	2500	X	X	600
3000	250	625	531	2500	X	X	500
	600	1500	221	2500	X	X	500
	750	1875	177	2500	X	X	500
	1000	2500	133	2500	X	X	500
	1500	3750	88	2500	X	X	550
	2000	5000	66	2500	X	X	500
4000	250	625	398	2500	X	X	550
	600	1500	166	2500	X	X	550
	750	1875	133	2500	X	X	500
	1000	2500	99	2500	X	X	500
	1500	3750	66	2500	X	X	550
	2000	5000	50	2500	X	X	600
5000	250	600	306	2400	X	X	550
	600	1440	127	2400	X	X	550
	750	1800	102	2400	X	X	500
	1000	2400	76	2400	X	X	550
	1500	3600	51	2400	X	X	500
	2000	4800	38	2400	X	X	550

Shown are the maximum power ratings, other power ratings, voltages, and frequencies on request.



## Disclaimer

All product specifications and data are subject to change without notice.

Vishay Intertechnology, Inc., its affiliates, agents, and employees, and all persons acting on its or their behalf (collectively, "Vishay"), disclaim any and all liability for any errors, inaccuracies or incompleteness contained herein or in any other disclosure relating to any product.

Vishay disclaims any and all liability arising out of the use or application of any product described herein or of any information provided herein to the maximum extent permitted by law. The product specifications do not expand or otherwise modify Vishay's terms and conditions of purchase, including but not limited to the warranty expressed therein, which apply to these products.

No license, express or implied, by estoppel or otherwise, to any intellectual property rights is granted by this document or by any conduct of Vishay.

The products shown herein are not designed for use in medical, life-saving, or life-sustaining applications unless otherwise expressly indicated. Customers using or selling Vishay products not expressly indicated for use in such applications do so entirely at their own risk and agree to fully indemnify Vishay for any damages arising or resulting from such use or sale. Please contact authorized Vishay personnel to obtain written terms and conditions regarding products designed for such applications.

Product names and markings noted herein may be trademarks of their respective owners.