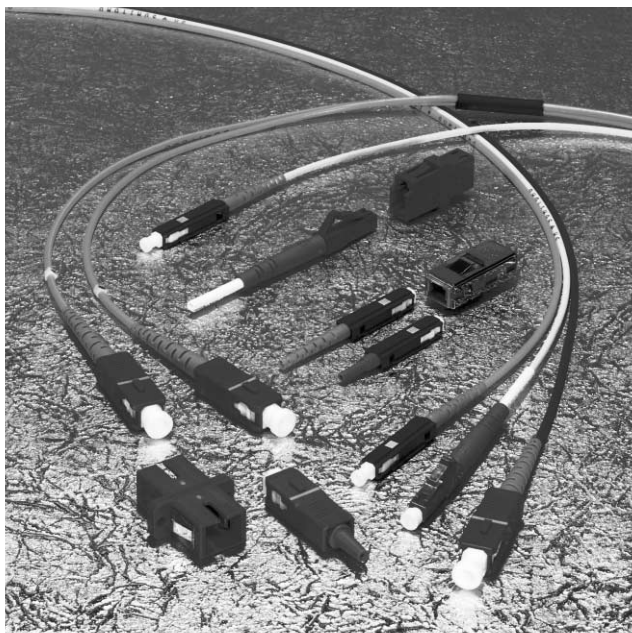


# OPTICAL FIBER CONNECTOR



## Features

### • SC type

JIS C 5973 (F04 type) and IEC 60874-14 conformed optical fiber connector is suitable for communication transmission system, LAN system, CATV, FA, OA, measuring equipment, broadcasting and so on.

### • MU type

JIS C 5983 (F14 type) and IEC 61754-6 conformed optical fiber connector is suitable for the interface of equipment for optical network member, Optical MDF and so on, which require high density mounting. This MU connector is certified with inter-mating test by NTT Advanced Technology Co., Ltd.

### • LC type

Telcordia GR-326-CORE conformed optical fiber connector is suitable for the interface of equipment for Yard wiring, switching board and so on, which require high density mounting.

## Specifications

### SC type and MU type

#### • Plug:

Insertion loss/	0.5dB max. SM (1.3 $\mu$ m/LD) 0.3dB max. GI50, GI62.5 (1.3 $\mu$ m/LED)
Return loss/	60dB min. SM (1.3 $\mu$ m/LD) for angled polishing 40dB min. SM (1.3 $\mu$ m/LD) 22dB min. GI50, GI62.5 (1.3 $\mu$ m/LED)

• Adapter: insertion loss/ 0.3dB max.

• Temperature range: -25°C to +70°C

### LC type

#### • Plug:

Insertion loss/	0.5dB max. SM (1.3 $\mu$ m/LD) 0.3dB max. GI50, GI62.5 (1.3 $\mu$ m/LED)
Return loss/	40dB min. SM (1.3 $\mu$ m/LD) 22dB min. GI50, GI62.5 (1.3 $\mu$ m/LED)

• Adapter: insertion loss/ 0.3dB max.

• Temperature range: -25°C to +70°C

### Fiber optic cord assembly

Insertion loss/	0.5dB max. SM (1.3 $\mu$ m/LD) 0.3dB max. GI50, GI62.5 (1.3 $\mu$ m/LED)
Return loss/	40dB min. SM (1.3 $\mu$ m/LD) 22dB min. GI50, GI62.5 (1.3 $\mu$ m/LED)

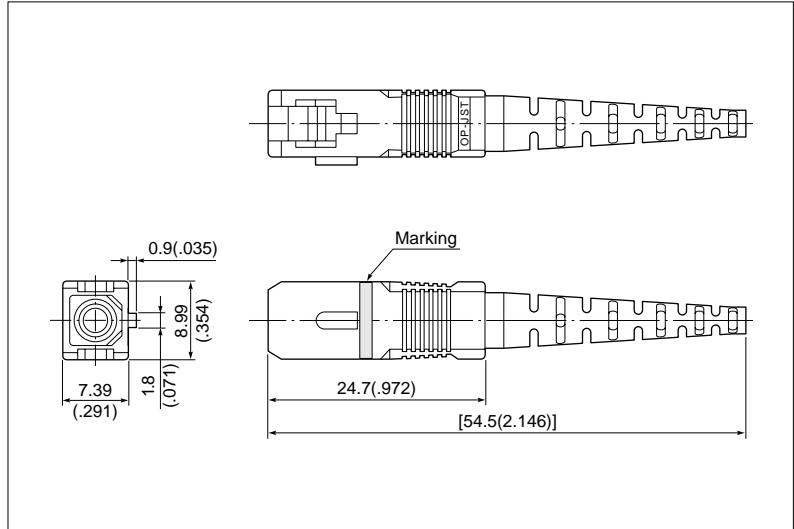
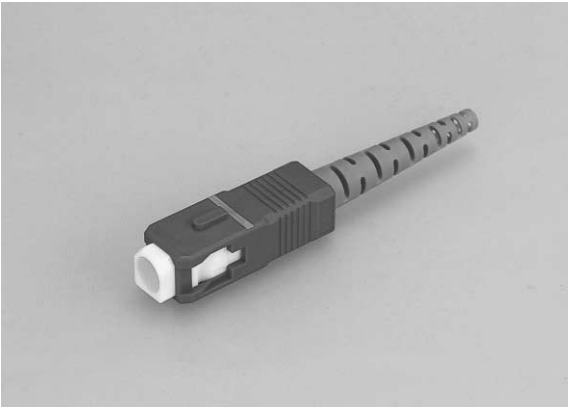
• Temperature range: -10°C to +40°C

\* Contact JST for details.

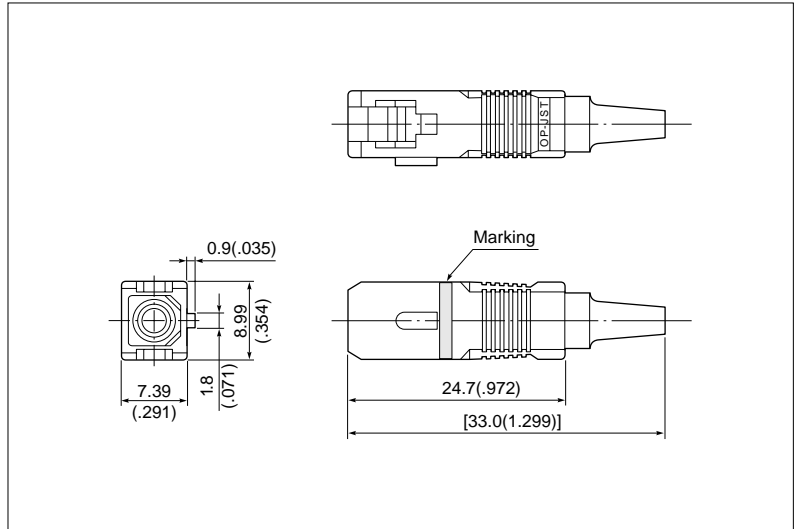
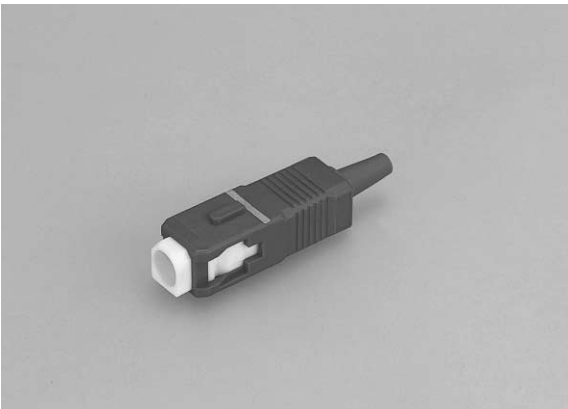
# OPTICAL FIBER CONNECTOR/SC Type Optical Fiber Connector

## Plug Kit

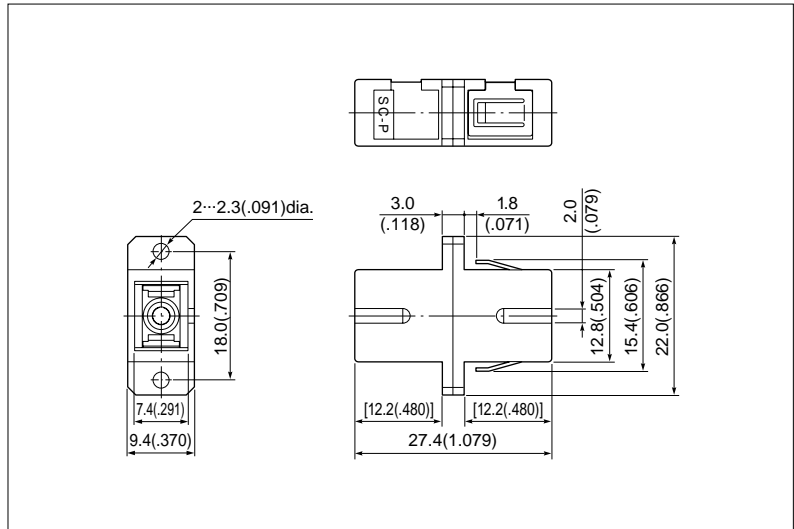
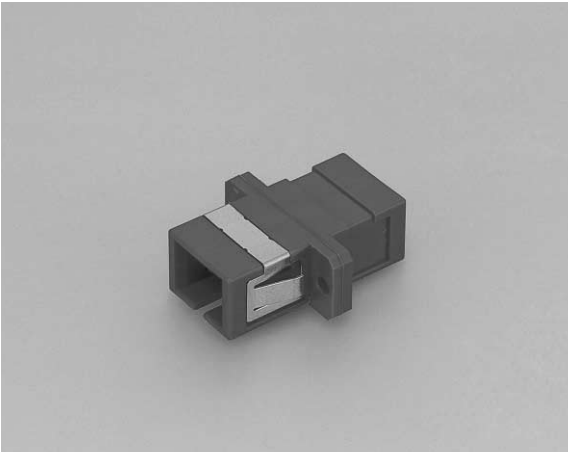
Model No.	SCJPK-BLE-T01LE-20	SCJPK-BLE-T01LE-30
Cord dia. mm(in.)	2.0(.079)dia.	3.0(.118)dia.



Model No.	SCJPK-BLE-T01LE-09
Cord dia. mm(in.)	0.9(.035)dia.



Model No.	SCJ-AD01PN
-----------	------------

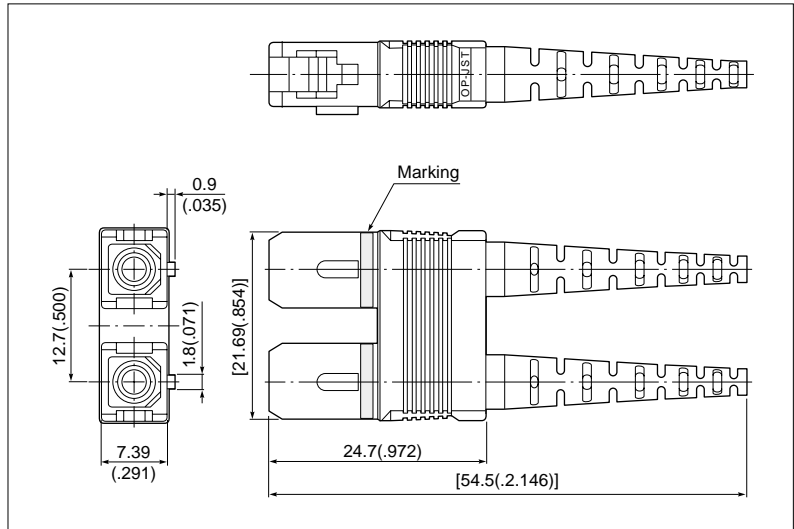
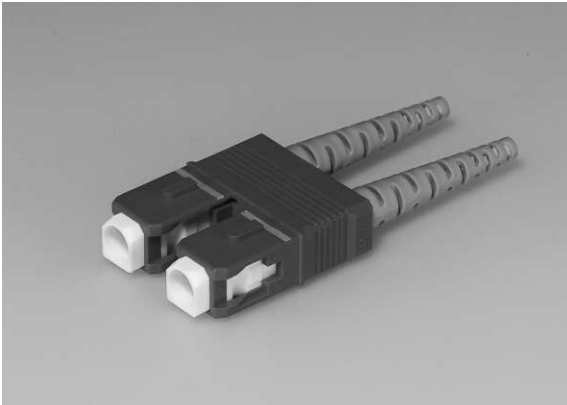




# OPTICAL FIBER CONNECTOR/SC Type Optical Fiber Connector Duplex Type

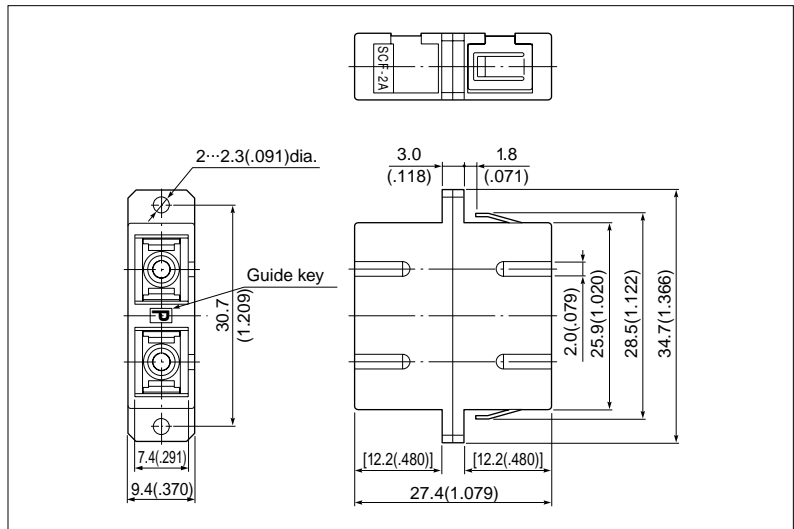
## Plug Kit

Model No.	SCJPK-BLE-TF2LE-20	SCJPK-BLE-TF2LE-30
Cord dia. mm(in.)	2.0(.079)dia.	3.0(.118)dia.



## Adapter

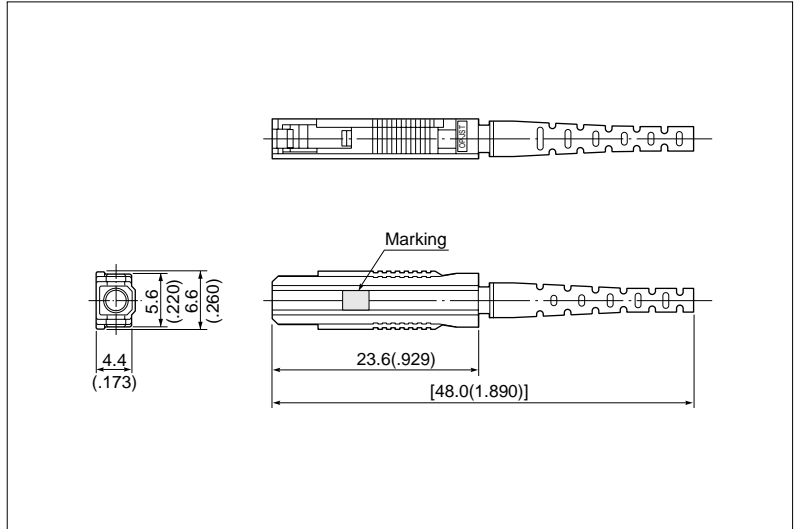
Model No.	SCJ-ADF2PN
-----------	------------



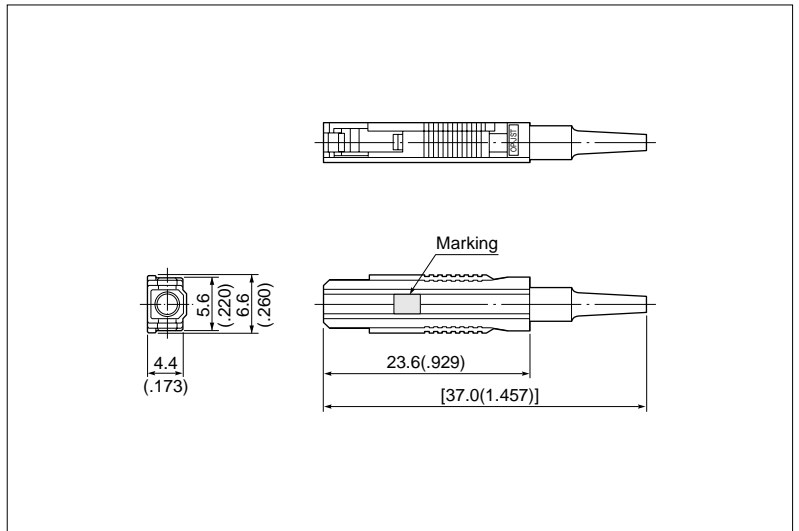
# OPTICAL FIBER CONNECTOR/MU Type Optical Fiber Connector

## Plug Kit

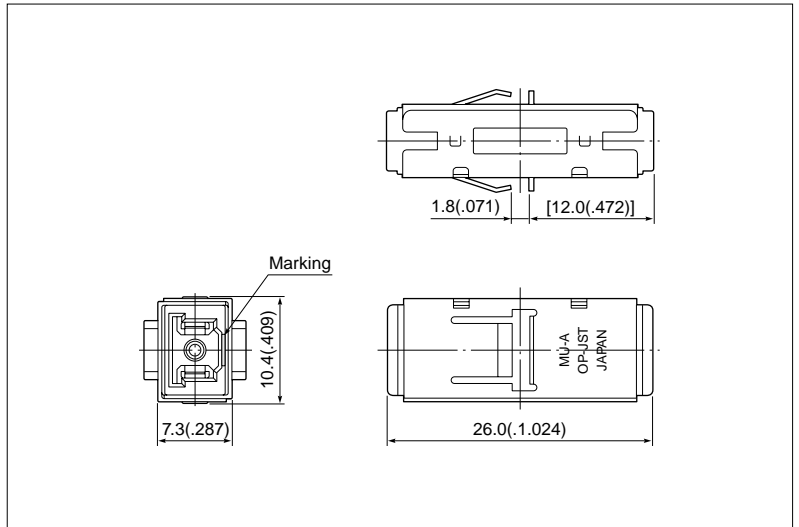
Model No.	MUJPK-BLE-T01DN-20
Cord dia. mm(in.)	2.0(.079)dia.



Model No.	MUJPK-BLE-T01DN-09
Cord dia. mm(in.)	0.9(.035)dia.



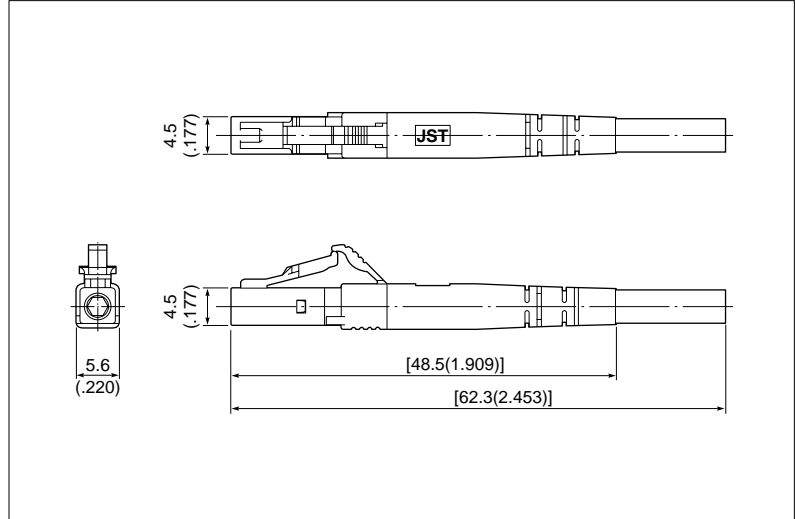
Model No.	MUJ-AD01PN
-----------	------------



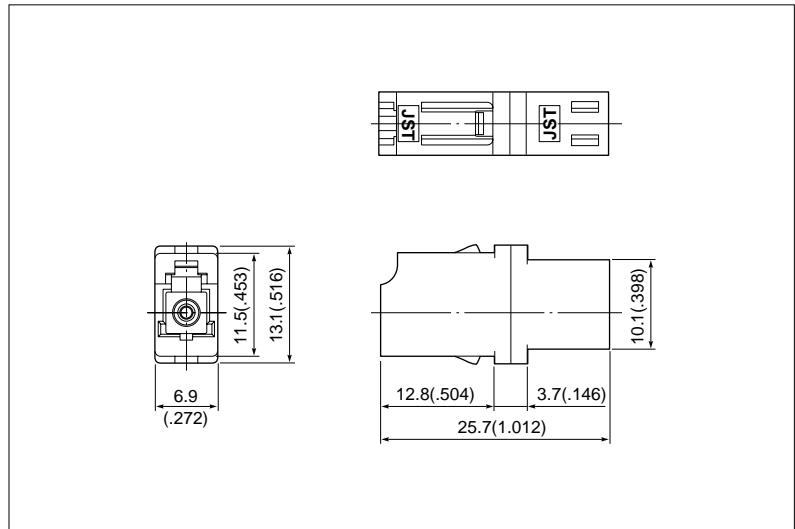
# OPTICAL FIBER CONNECTOR/LC Type Optical Fiber Connector

## Plug Kit

Model No.	LCJPK-BE-PJ01E-20S
Cord dia. mm(in.)	2.0(.079)dia.



Model No.	LCJ-AD01PN-E
-----------	--------------



# OPTICAL FIBER CONNECTOR/Assembling Tool

## Stripping Insertion Tool

### SC type Optical Fiber Connector

Model No.	SR-SC01H	SR-09-SC01H
Cord dia. mm(in.)	2.0(.079)dia., 3.0(.118)dia.	0.9(.035)dia.



### MU type Optical Fiber Connector

Model No.	SR-MU01H	SR-09-MU01H
Cord dia. mm(in.)	2.0(.079)dia.	0.9(.035)dia.



## Crimping Tool

### SC type Optical Fiber Connector

Model No.	YBZ-SC01RK
-----------	------------



### MU type Optical Fiber Connector

Model No.	YSZ-MU01K
-----------	-----------



### LC type Optical Fiber Connector

Model No.	YSZ-LC01K
-----------	-----------



# OPTICAL FIBER CONNECTOR/Accessories

## Plug Cap

### SC type Optical Fiber Connector

Model No.	SCJ-PCP-S
-----------	-----------



### MU type Optical Fiber Connector

Model No.	MUJ-PCP-S
-----------	-----------



### LC type Optical Fiber Connector

Model No.	LCJ-PCP-S
-----------	-----------



## Adapter Cap

### SC type Optical Fiber Connector

Model No.	SCJ-ACP-K
-----------	-----------



### MU type Optical Fiber Connector

Model No.	MUJ-ACP-K
-----------	-----------

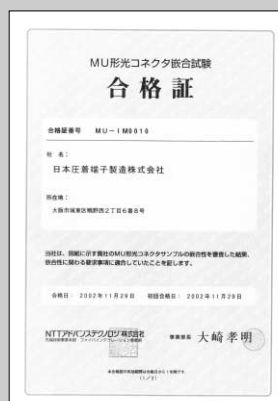


### LC type Optical Fiber Connector

Model No.	LCJ-ACP-S
-----------	-----------



NTT Advanced Technology Corporation  
Certificate of MU Fiber-optic Connector  
Intermateability Test



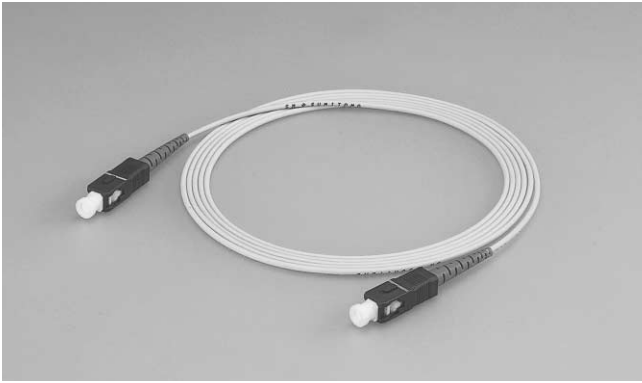


# OPTICAL FIBER CONNECTOR/Fiber Optic Cord Assembly

## Singlemode

### SM Simplex

Model No.	( )AP-( )AP-3S( )( )L1
-----------	------------------------



### SM Double type

Model No.	( )AP-( )AP-3S( )( )L2
-----------	------------------------



## Multimode

### GI 50 Simplex

Model No.	( )SP-( )SP-5M( )( )L1
-----------	------------------------



### GI 50 Double type

Model No.	( )SP-( )SP-5M( )( )L2
-----------	------------------------



### GI 62.5 Simplex

Model No.	( )SP-( )SP-6M( )( )L1
-----------	------------------------



### GI 62.5 Double type

Model No.	( )SP-( )SP-6M( )( )L2
-----------	------------------------



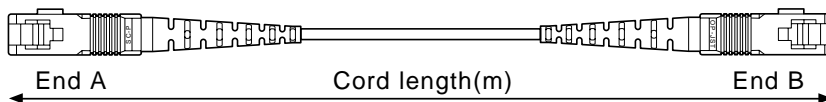
Photographs run SC Type Optical Fiber Connector Fiber Optic Cord Assembly. Contact JST about other cord color and the specifications than the above.

# OPTICAL FIBER CONNECTOR

## Indication of Model No.

**SC AP-SC AP-3S 2 020 L1**

① ② ③ ④ ⑤ ⑥ ⑦ ⑧



### Conversion chart

meter	1
inch	39.37
foot	3.281

① Connector style at End A	
SC	SC type Optical Fiber Connector
SF	SC type Optical Fiber Connector Duplex type
MU	MU type Optical Fiber Connector
LC	LC type Optical Fiber Connector

⑤ Fiber mode	
3S	Singlemode type SM (10/125 $\mu$ m)
5M	Multimode type GI (50/125 $\mu$ m)
6M	Multimode type GI (62.5/125 $\mu$ m)

② Ferrule endface appearance at End A	
AP	Singlemode ferrule endface appearance
SP	Multimode ferrule endface appearance

⑥ Cord diameter mm(in.)	
2	2.0(.079)dia.
3	3.0(.118)dia.
9	0.9(.035)dia.

③ Connector style at End B	
SC	SC type Optical Fiber Connector
SF	SC type Optical Fiber Connector Duplex type
MU	MU type Optical Fiber Connector
LC	LC type Optical Fiber Connector

⑦ Cord length			
010	1.0m	030	3.0m
015	1.5m	050	5.0m
020	2.0m	100	10.0m

Contact JST for required other cord length.

④ Ferrule endface appearance at End B	
AP	Singlemode ferrule endface appearance
SP	Multimode ferrule endface appearance

⑧ Cord type	
L1	Simplex
L2	Double type

Note: Specifications are subject to change without prior notice.

Contact JST for details.