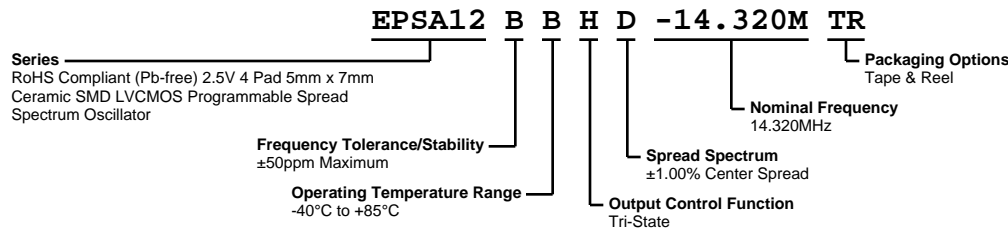


# EPSA12BBHD-14.320M TR



## ELECTRICAL SPECIFICATIONS

|                                       |  |
|---------------------------------------|--|
| Nominal Frequency                     | 14.320MHz  |
| Frequency Tolerance/Stability         | ±50ppm Maximum (Inclusive of all conditions: Frequency Stability over the Operating Temperature Range, Supply Voltage Change, Output Load Change, First Year Aging at 25°C, Shock, and Vibration.) |
| Operating Temperature Range           | -40°C to +85°C   |
| Supply Voltage                        | 2.5Vdc ±5%   |
| Maximum Supply Voltage                | -0.5Vdc to +3.2Vdc   |
| Input Current                         | 15mA Maximum   |
| Output Voltage Logic High (Voh)       | 90% of Vdd Minimum (IOH=-8mA)  |
| Output Voltage Logic Low (Vol)        | 10% of Vdd Maximum (IOL=+8mA)  |
| Rise/Fall Time                        | 3nSec Maximum (Measured at 10% to 90% of Waveform)   |
| Duty Cycle                            | 50% ±5(%) (Measured at 50% of waveform)  |
| Load Drive Capability                 | 15pF Maximum   |
| Output Logic Type                     | CMOS   |
| Output Control Function               | Tri-State (Disabled Output: High Impedance)  |
| Tri-State Input Voltage (Vih and Vil) | 70% of Vdd Minimum or No Connection to Enable Output, 30% of Vdd Maximum to Disable Output   |
| Tri-State Output Disable Time         | 100nSec Maximum  |
| Tri-State Output Enable Time          | 100nSec Maximum  |
| Disable Current                       | 20mA Maximum (Unloaded; Pad 1=Ground)  |
| Spread Spectrum                       | ±1.00% Center Spread   |
| Modulation Frequency                  | 30kHz Minimum, 32kHz Typical, 45kHz Maximum  |
| Period Jitter                         | 100pSec Maximum (Cycle to Cycle; Spread Spectrum-On)   |
| Start Up Time                         | 10mSec Maximum   |
| Storage Temperature Range             | -55°C to +125°C  |

## ENVIRONMENTAL & MECHANICAL SPECIFICATIONS

|                              |   |
|------------------------------|---|
| ESD Susceptibility           | MIL-STD-883, Method 3015, Class 1, HBM: 1500V |
| Fine Leak Test               | MIL-STD-883, Method 1014, Condition A         |
| Flammability                 | UL94-V0                                       |
| Gross Leak Test              | MIL-STD-883, Method 1014, Condition C         |
| Mechanical Shock             | MIL-STD-883, Method 2002, Condition B         |
| Moisture Resistance          | MIL-STD-883, Method 1004                      |
| Moisture Sensitivity         | J-STD-020, MSL 1                              |
| Resistance to Soldering Heat | MIL-STD-202, Method 210, Condition K          |
| Resistance to Solvents       | MIL-STD-202, Method 215                       |
| Solderability                | MIL-STD-883, Method 2003                      |
| Temperature Cycling          | MIL-STD-883, Method 1010, Condition B         |
| Vibration                    | MIL-STD-883, Method 2007, Condition A         |

# EPSA12BBHD-14.320M TR

## MECHANICAL DIMENSIONS (all dimensions in millimeters)



| PIN | CONNECTION     |
|-----|----------------|
| 1   | Tri-State      |
| 2   | Case Ground    |
| 3   | Output         |
| 4   | Supply Voltage |

| LINE | MARKING   |
|------|---|
| 1    | <b>ECLIPTEK</b>   |
| 2    | <b>14.320M</b>  |
| 3    | <b>SXXXXX</b><br>S=Configuration Designator<br>XXXXX=Ecliptek<br>Manufacturing Identifier |

## Suggested Solder Pad Layout

All Dimensions in Millimeters

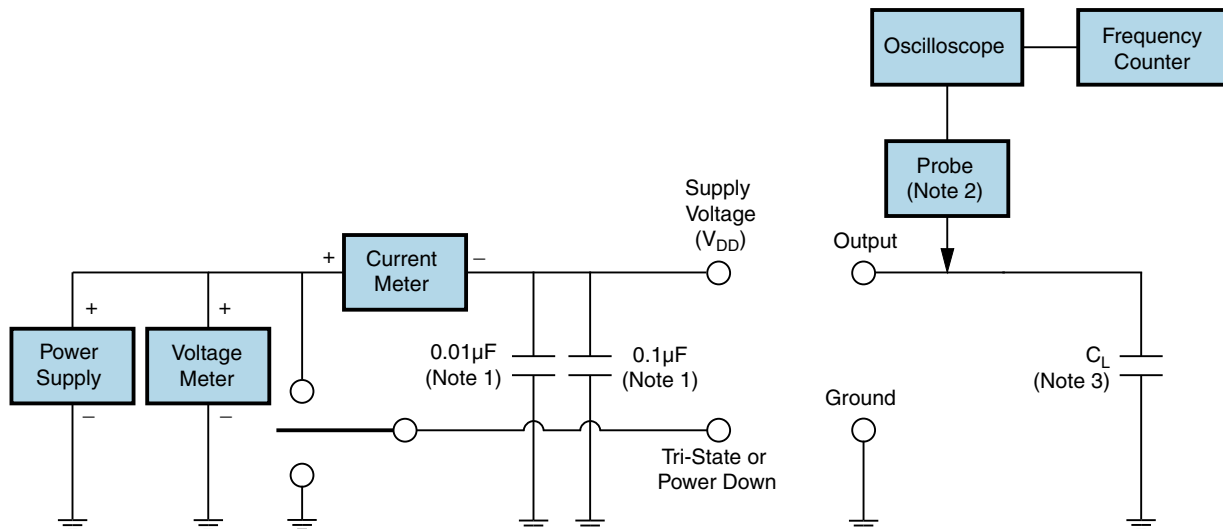


All Tolerances are  $\pm 0.1$

## OUTPUT WAVEFORM & TIMING DIAGRAM



## Test Circuit for CMOS Output



Note 1: An external 0.01  $\mu$ F ceramic bypass capacitor in parallel with a 0.1  $\mu$ F high frequency ceramic bypass capacitor close (less than 2mm) to the package ground and supply voltage pin is required.

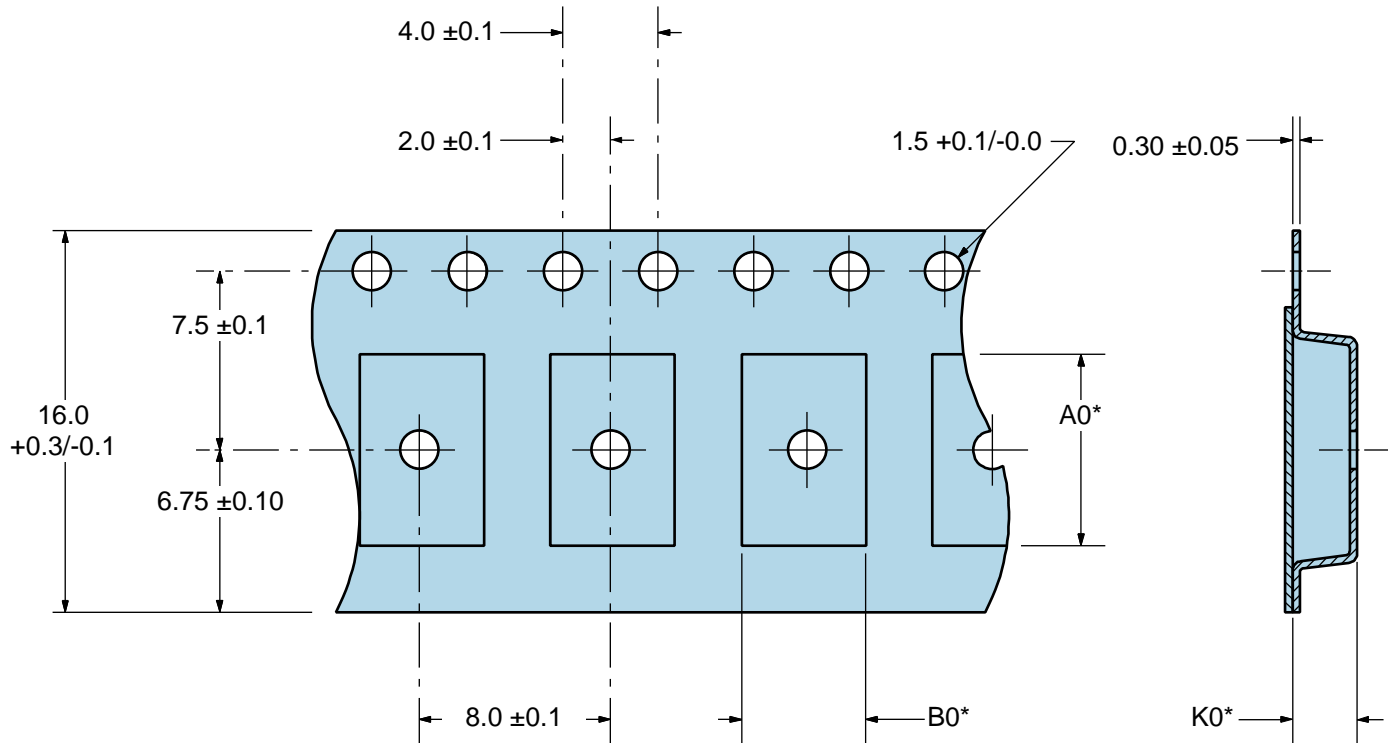
Note 2: A low input capacitance (<12pF), 10X Attenuation Factor, High Impedance (>10Mohms), and High bandwidth (>300MHz) passive probe is recommended.

Note 3: Capacitance value  $C_L$  includes sum of all probe and fixture capacitance. See applicable specification sheet for 'Load Drive Capability'.

# EPSA12BBHD-14.320M TR

## Tape & Reel Dimensions

Quantity Per Reel: 1,000 Units



\*Compliant to EIA 481A



## Recommended Solder Reflow Methods



### High Temperature Infrared/Convection

|  |   |
|--|---|
| <b><math>T_S</math> MAX to <math>T_L</math> (Ramp-up Rate)</b> | 3°C/second Maximum                                |
| <b>Preheat</b>   |   |
| - Temperature Minimum ( $T_S$ MIN)                             | 150°C   |
| - Temperature Typical ( $T_S$ TYP)                             | 175°C   |
| - Temperature Maximum ( $T_S$ MAX)                             | 200°C   |
| - Time ( $t_s$ MIN)  | 60 - 180 Seconds                                  |
| <b>Ramp-up Rate (<math>T_L</math> to <math>T_P</math>)</b>     | 3°C/second Maximum                                |
| <b>Time Maintained Above:</b>                                  |   |
| - Temperature ( $T_L$ )  | 217°C   |
| - Time ( $t_L$ )   | 60 - 150 Seconds                                  |
| <b>Peak Temperature (<math>T_P</math>)</b>                     | 260°C Maximum for 10 Seconds Maximum              |
| <b>Target Peak Temperature (<math>T_P</math> Target)</b>       | 250°C +0/-5°C                                     |
| <b>Time within 5°C of actual peak (<math>t_p</math>)</b>       | 20 - 40 seconds                                   |
| <b>Ramp-down Rate</b>  | 6°C/second Maximum                                |
| <b>Time 25°C to Peak Temperature (t)</b>                       | 8 minutes Maximum                                 |
| <b>Moisture Sensitivity Level</b>                              | Level 1   |
| <b>Additional Notes</b>  | Temperatures shown are applied to body of device. |

## Recommended Solder Reflow Methods



### Low Temperature Infrared/Convection 240°C

|  |  |
|--|--|
| <b>T<sub>s</sub> MAX to T<sub>L</sub> (Ramp-up Rate)</b> | 5°C/second Maximum                                     |
| <b>Preheat</b>   |  |
| - Temperature Minimum (T <sub>s</sub> MIN)               | N/A  |
| - Temperature Typical (T <sub>s</sub> TYP)               | 150°C  |
| - Temperature Maximum (T <sub>s</sub> MAX)               | N/A  |
| - Time (t <sub>s</sub> MIN)                              | 60 - 120 Seconds                                       |
| <b>Ramp-up Rate (T<sub>L</sub> to T<sub>p</sub>)</b>     | 5°C/second Maximum                                     |
| <b>Time Maintained Above:</b>                            |  |
| - Temperature (T <sub>L</sub> )                          | 150°C  |
| - Time (t <sub>L</sub> )                                 | 200 Seconds Maximum                                    |
| <b>Peak Temperature (T<sub>p</sub>)</b>                  | 240°C Maximum  |
| <b>Target Peak Temperature (T<sub>p</sub> Target)</b>    | 240°C Maximum 1 Time / 230°C Maximum 2 Times           |
| <b>Time within 5°C of actual peak (t<sub>p</sub>)</b>    | 10 seconds Maximum 2 Times / 80 seconds Maximum 1 Time |
| <b>Ramp-down Rate</b>                                    | 5°C/second Maximum                                     |
| <b>Time 25°C to Peak Temperature (t)</b>                 | N/A  |
| <b>Moisture Sensitivity Level</b>                        | Level 1  |
| <b>Additional Notes</b>                                  | Temperatures shown are applied to body of device.      |

### Low Temperature Manual Soldering

185°C Maximum for 10 seconds Maximum, 2 times Maximum. (Temperatures shown are applied to body of device.)

### High Temperature Manual Soldering

260°C Maximum for 5 seconds Maximum, 2 times Maximum. (Temperatures shown are applied to body of device.)