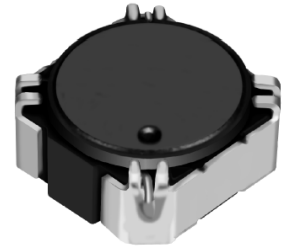
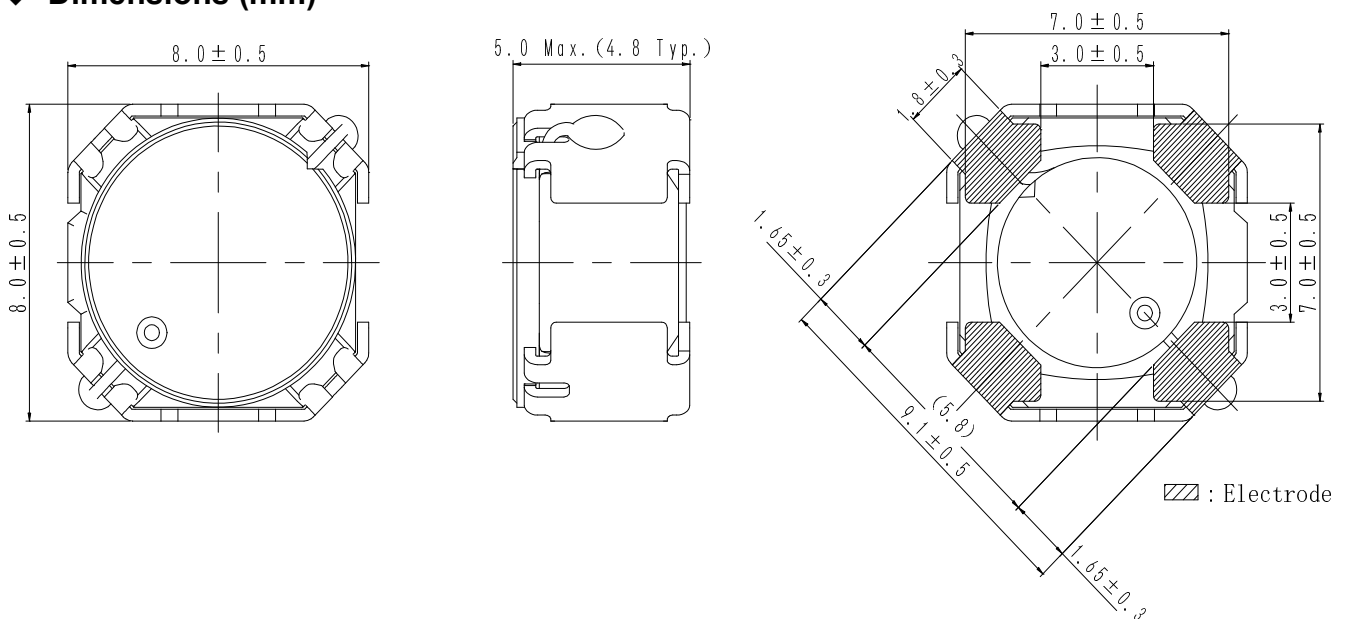
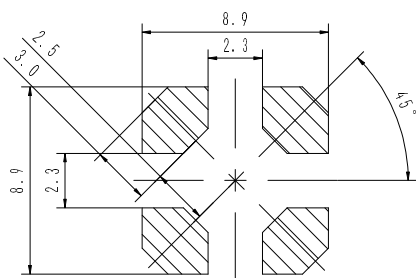
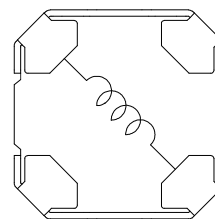


**Type: CDCH8D48/A**
**◆ Product Description**

- 8.5×8.5mm Max.(L×W), 5.0mm Max. Height.
- Inductance Range: 10~120  $\mu$  H.
- Rated current range: 0.47~1.7A.
- In addition to the standard versions of inductors shown here, custom inductors are available to meet your exact requirements.


**◆ Feature**

- Magnetically unshielded construction.
- High reliable inductors, suitable to use in high temperature environment (125°C).
- Ideally for automotive applications as converter inductors.
- RoHS Compliance.

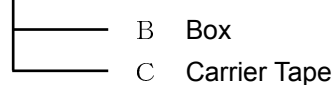
**◆ Dimensions (mm)**

**◆ Land Pattern (mm)**

**◆ Schematics (Bottom)**


**Type: CDCH8D48/A**
**◆ Specification**

Part Name ※	Stamp	Inductance ( $\mu$ H) 100kHz/1V	D.C.R.(m $\Omega$ ) Max.(Typ.) (at 20°C)	Rated current (at 125°C) (A) ※1
CDCH8D48/ANP-100K□	100	10 $\pm$ 10%	57.0(45.4)	1.70
CDCH8D48/ANP-120K□	120	12 $\pm$ 10%	60.5(48.3)	1.53
CDCH8D48/ANP-150K□	150	15 $\pm$ 10%	75.0(60.1)	1.39
CDCH8D48/ANP-180K□	180	18 $\pm$ 10%	75.0(76.6)	1.23
CDCH8D48/ANP-220K□	220	22 $\pm$ 10%	118.5(94.8)	1.10
CDCH8D48/ANP-270K□	270	27 $\pm$ 10%	148.5(118.8)	1.02
CDCH8D48/ANP-330K□	330	33 $\pm$ 10%	179.0(143.2)	0.94
CDCH8D48/ANP-390K□	390	39 $\pm$ 10%	206.5(165.2)	0.85
CDCH8D48/ANP-470K□	470	47 $\pm$ 10%	260.8(208.6)	0.78
CDCH8D48/ANP-560K□	560	56 $\pm$ 10%	335.0(368.3)	0.70
CDCH8D48/ANP-680K□	680	68 $\pm$ 10%	421.5(337.2)	0.61
CDCH8D48/ANP-820K□	820	82 $\pm$ 10%	474.0(379.0)	0.60
CDCH8D48/ANP-101K□	101	100 $\pm$ 10%	625.0(500.0)	0.53
CDCH8D48/ANP-121K□	121	120 $\pm$ 10%	702.5(561.8)	0.47

**※ Description of part name**

CDCH8D48/ANP-100K□



※1. Rated current: The DC current at which the inductance decreases to 90 % of it's initial value or when  $\Delta t=30^{\circ}\text{C}$ , whichever is lower ( $T_a=125^{\circ}\text{C}$ ).