

**TOSHIBA**

8 Bit Microcontroller  
TLCS-870/C Series

**TMP86CH22UG**

**TOSHIBA CORPORATION**

The information contained herein is subject to change without notice. 021023 \_ D

TOSHIBA is continually working to improve the quality and reliability of its products. Nevertheless, semiconductor devices in general can malfunction or fail due to their inherent electrical sensitivity and vulnerability to physical stress.

It is the responsibility of the buyer, when utilizing TOSHIBA products, to comply with the standards of safety in making a safe design for the entire system, and to avoid situations in which a malfunction or failure of such TOSHIBA products could cause loss of human life, bodily injury or damage to property.

In developing your designs, please ensure that TOSHIBA products are used within specified operating ranges as set forth in the most recent TOSHIBA products specifications.

Also, please keep in mind the precautions and conditions set forth in the "Handling Guide for Semiconductor Devices," or "TOSHIBA Semiconductor Reliability Handbook" etc. 021023\_A

The Toshiba products listed in this document are intended for usage in general electronics applications (computer, personal equipment, office equipment, measuring equipment, industrial robotics, domestic appliances, etc.).

These Toshiba products are neither intended nor warranted for usage in equipment that requires extraordinarily high quality and/or reliability or a malfunction or failure of which may cause loss of human life or bodily injury ("Unintended Usage"). Unintended Usage include atomic energy control instruments, airplane or spaceship instruments, transportation instruments, traffic signal instruments, combustion control instruments, medical instruments, all types of safety devices, etc. Unintended Usage of Toshiba products listed in this document shall be made at the customer's own risk. 021023\_B

The products described in this document shall not be used or embedded to any downstream products of which manufacture, use and/or sale are prohibited under any applicable laws and regulations. 060106\_Q

The information contained herein is presented only as a guide for the applications of our products. No responsibility is assumed by TOSHIBA for any infringements of patents or other rights of the third parties which may result from its use. No license is granted by implication or otherwise under any patent or patent rights of TOSHIBA or others. 021023\_C

The products described in this document may include products subject to the foreign exchange and foreign trade laws. 021023\_F

For a discussion of how the reliability of microcontrollers can be predicted, please refer to Section 1.3 of the chapter entitled Quality and Reliability Assurance/Handling Precautions. 030619\_S

## Revision History

| Date      | Revision |                  |
|-----------|----------|------------------|
| 2005/12/8 | 1        | First Release    |
| 2006/9/8  | 2        | Contents Revised |



# Table of Contents

---

---

## TMP86CH22UG

---

---

|     |                         |   |
|-----|-------------------------|---|
| 1.1 | Features                | 1 |
| 1.2 | Pin Assignment          | 3 |
| 1.3 | Block Diagram           | 4 |
| 1.4 | Pin Names and Functions | 5 |

---

---

## 2. Operational Description

---

---

|         |  |    |
|---------|--|----|
| 2.1     | CPU Core Functions                     | 9  |
| 2.1.1   | Memory Address Map                     | 9  |
| 2.1.2   | Program Memory (MaskROM)               | 9  |
| 2.1.3   | Data Memory (RAM)                      | 10 |
| 2.2     | System Clock Controller                | 10 |
| 2.2.1   | Clock Generator                        | 10 |
| 2.2.2   | Timing Generator                       | 12 |
| 2.2.2.1 | Configuration of timing generator      |    |
| 2.2.2.2 | Machine cycle                          |    |
| 2.2.3   | Operation Mode Control Circuit         | 13 |
| 2.2.3.1 | Single-clock mode                      |    |
| 2.2.3.2 | Dual-clock mode                        |    |
| 2.2.3.3 | STOP mode                              |    |
| 2.2.4   | Operating Mode Control                 | 18 |
| 2.2.4.1 | STOP mode                              |    |
| 2.2.4.2 | IDLE1/2 mode and SLEEP1/2 mode         |    |
| 2.2.4.3 | IDLE0 and SLEEP0 modes (IDLE0, SLEEP0) |    |
| 2.2.4.4 | SLOW mode                              |    |
| 2.3     | Reset Circuit                          | 31 |
| 2.3.1   | External Reset Input                   | 31 |
| 2.3.2   | Address trap reset                     | 32 |
| 2.3.3   | Watchdog timer reset                   | 32 |
| 2.3.4   | System clock reset                     | 32 |

---

---

## 3. Interrupt Control Circuit

---

---

|         |  |    |
|---------|--|----|
| 3.1     | Interrupt latches (IL19 to IL2)                        | 35 |
| 3.2     | Interrupt enable register (EIR)                        | 36 |
| 3.2.1   | Interrupt master enable flag (IMF)                     | 36 |
| 3.2.2   | Individual interrupt enable flags (EF19 to EF4)        | 37 |
| Note 3: |  | 38 |
| 3.3     | Interrupt Sequence                                     | 39 |
| 3.3.1   | Interrupt acceptance processing is packaged as follows | 39 |
| 3.3.2   | Saving/restoring general-purpose registers             | 40 |
| 3.3.2.1 | Using PUSH and POP instructions                        |    |
| 3.3.2.2 | Using data transfer instructions                       |    |
| 3.3.3   | Interrupt return                                       | 41 |
| 3.4     | Software Interrupt (INTSW)                             | 42 |
| 3.4.1   | Address error detection                                | 42 |
| 3.4.2   | Debugging  | 42 |

|     |  |    |
|-----|--|----|
| 3.5 | Undefined Instruction Interrupt (INTUNDEF) . . . . . | 42 |
| 3.6 | Address Trap Interrupt (INTATRAP) . . . . .          | 42 |
| 3.7 | External Interrupts . . . . .                        | 43 |

---

#### 4. Special Function Register (SFR)

---

|     |               |    |
|-----|---------------|----|
| 4.1 | SFR . . . . . | 45 |
| 4.2 | DBR . . . . . | 47 |

---

#### 5. I/O Ports

---

|     |                                     |    |
|-----|-------------------------------------|----|
| 5.1 | Port P1 (P17 to P10) . . . . .      | 50 |
| 5.2 | Port P2 (P22 to P20) . . . . .      | 53 |
| 5.3 | Port P3 (P37, P34 to P33) . . . . . | 54 |
| 5.4 | Port P5 (P57 to P50) . . . . .      | 56 |
| 5.5 | Port P6 (P64 to P61) . . . . .      | 58 |
| 5.6 | Port P7 (P76 to P70) . . . . .      | 60 |

---

#### 6. Watchdog Timer (WDT)

---

|       |  |    |
|-------|--|----|
| 6.1   | Watchdog Timer Configuration . . . . .                           | 63 |
| 6.2   | Watchdog Timer Control . . . . .                                 | 64 |
| 6.2.1 | Malfunction Detection Methods Using the Watchdog Timer . . . . . | 64 |
| 6.2.2 | Watchdog Timer Enable . . . . .                                  | 65 |
| 6.2.3 | Watchdog Timer Disable . . . . .                                 | 66 |
| 6.2.4 | Watchdog Timer Interrupt (INTWDT) . . . . .                      | 66 |
| 6.2.5 | Watchdog Timer Reset . . . . .                                   | 67 |
| 6.3   | Address Trap . . . . .   | 68 |
| 6.3.1 | Selection of Address Trap in Internal RAM (ATAS) . . . . .       | 68 |
| 6.3.2 | Selection of Operation at Address Trap (ATOUT) . . . . .         | 68 |
| 6.3.3 | Address Trap Interrupt (INTATRAP) . . . . .                      | 68 |
| 6.3.4 | Address Trap Reset . . . . .                                     | 69 |

---

#### 7. Time Base Timer (TBT)

---

|       |                                |    |
|-------|--------------------------------|----|
| 7.1   | Time Base Timer . . . . .      | 71 |
| 7.1.1 | Configuration . . . . .        | 71 |
| 7.1.2 | Control . . . . .              | 71 |
| 7.1.3 | Function . . . . .             | 72 |
| 7.2   | Divider Output (DVO) . . . . . | 73 |
| 7.2.1 | Configuration . . . . .        | 73 |
| 7.2.2 | Control . . . . .              | 73 |

---

#### 8. 18-Bit Timer/Counter (TC1)

---

|       |                         |    |
|-------|-------------------------|----|
| 8.1   | Configuration . . . . . | 75 |
| 8.2   | Control . . . . .       | 76 |
| 8.3   | Function . . . . .      | 79 |
| 8.3.1 | Timer mode . . . . .    | 79 |

|       |                                   |    |
|-------|-----------------------------------|----|
| 8.3.2 | Event Counter mode.....           | 80 |
| 8.3.3 | Pulse Width Measurement mode..... | 81 |
| 8.3.4 | Frequency Measurement mode.....   | 82 |

---



---

## 9. 8-Bit TimerCounter (TC5, TC6)

---

|         |  |     |
|---------|--|-----|
| 9.1     | Configuration .....  | 85  |
| 9.2     | TimerCounter Control .....   | 86  |
| 9.3     | Function .....   | 91  |
| 9.3.1   | 8-Bit Timer Mode (TC5 and 6).....  | 91  |
| 9.3.2   | 8-Bit Event Counter Mode (TC5, 6).....                                     | 92  |
| 9.3.3   | 8-Bit Programmable Divider Output (PDO) Mode (TC5, 6).....                 | 92  |
| 9.3.4   | 8-Bit Pulse Width Modulation (PWM) Output Mode (TC5, 6).....               | 95  |
| 9.3.5   | 16-Bit Timer Mode (TC5 and 6).....   | 97  |
| 9.3.6   | 16-Bit Event Counter Mode (TC5 and 6).....                                 | 98  |
| 9.3.7   | 16-Bit Pulse Width Modulation (PWM) Output Mode (TC5 and 6).....           | 98  |
| 9.3.8   | 16-Bit Programmable Pulse Generate (PPG) Output Mode (TC5 and 6).....      | 101 |
| 9.3.9   | Warm-Up Counter Mode.....  | 103 |
| 9.3.9.1 | Low-Frequency Warm-up Counter Mode<br>(NORMAL1 → NORMAL2 → SLOW2 → SLOW1)  |     |
| 9.3.9.2 | High-Frequency Warm-Up Counter Mode<br>(SLOW1 → SLOW2 → NORMAL2 → NORMAL1) |     |

---



---

## 10. Real-Time Clock

---

|      |                         |     |
|------|-------------------------|-----|
| 10.1 | Configuration .....     | 105 |
| 10.2 | Control of the RTC..... | 105 |
| 10.3 | Function.....           | 106 |

---



---

## 11. Asynchronous Serial interface (UART )

---

|        |                                  |     |
|--------|----------------------------------|-----|
| 11.1   | Configuration .....              | 107 |
| 11.2   | Control .....                    | 108 |
| 11.3   | Transfer Data Format .....       | 110 |
| 11.4   | Transfer Rate.....               | 111 |
| 11.5   | Data Sampling Method .....       | 111 |
| 11.6   | STOP Bit Length .....            | 112 |
| 11.7   | Parity .....                     | 112 |
| 11.8   | Transmit/Receive Operation ..... | 112 |
| 11.8.1 | Data Transmit Operation .....    | 112 |
| 11.8.2 | Data Receive Operation .....     | 112 |
| 11.9   | Status Flag .....                | 113 |
| 11.9.1 | Parity Error.....                | 113 |
| 11.9.2 | Framing Error.....               | 113 |
| 11.9.3 | Overrun Error.....               | 113 |
| 11.9.4 | Receive Data Buffer Full.....    | 114 |
| 11.9.5 | Transmit Data Buffer Empty ..... | 114 |
| 11.9.6 | Transmit End Flag .....          | 115 |

---



---

## 12. Synchronous Serial Interface (SIO)

---

|      |                     |     |
|------|---------------------|-----|
| 12.1 | Configuration ..... | 117 |
| 12.2 | Control.....        | 118 |

|             |                                    |            |
|-------------|------------------------------------|------------|
| <b>12.3</b> | <b>Serial clock</b>                | <b>119</b> |
| 12.3.1      | Clock source                       | 119        |
| 12.3.1.1    | Internal clock                     |            |
| 12.3.1.2    | External clock                     |            |
| 12.3.2      | Shift edge                         | 121        |
| 12.3.2.1    | Leading edge                       |            |
| 12.3.2.2    | Trailing edge                      |            |
| <b>12.4</b> | <b>Number of bits to transfer</b>  | <b>121</b> |
| <b>12.5</b> | <b>Number of words to transfer</b> | <b>121</b> |
| <b>12.6</b> | <b>Transfer Mode</b>               | <b>122</b> |
| 12.6.1      | 4-bit and 8-bit transfer modes     | 122        |
| 12.6.2      | 4-bit and 8-bit receive modes      | 124        |
| 12.6.3      | 8-bit transfer / receive mode      | 125        |

---

## 13. 8-Bit AD Converter (ADC)

---

|             |   |            |
|-------------|---|------------|
| <b>13.1</b> | <b>Configuration</b>                                    | <b>127</b> |
| <b>13.2</b> | <b>Control</b>  | <b>128</b> |
| <b>13.3</b> | <b>Function</b>   | <b>130</b> |
| 13.3.1      | AD Converter Operation                                  | 130        |
| 13.3.2      | AD Converter Operation                                  | 130        |
| 13.3.3      | STOP and SLOW Mode during AD Conversion                 | 131        |
| 13.3.4      | Analog Input Voltage and AD Conversion Result           | 132        |
| <b>13.4</b> | <b>Precautions about AD Converter</b>                   | <b>133</b> |
| 13.4.1      | Restrictions for AD Conversion interrupt (INTADC) usage | 133        |
| 13.4.2      | Analog input pin voltage range                          | 133        |
| 13.4.3      | Analog input shared pins                                | 133        |
| 13.4.4      | Noise countermeasure                                    | 133        |

---

## 14. Key-on Wakeup (KWU)

---

|             |                      |            |
|-------------|----------------------|------------|
| <b>14.1</b> | <b>Configuration</b> | <b>135</b> |
| <b>14.2</b> | <b>Control</b>       | <b>135</b> |
| <b>14.3</b> | <b>Function</b>      | <b>135</b> |

---

## 15. LCD Driver

---

|             |  |            |
|-------------|--|------------|
| <b>15.1</b> | <b>Configuration</b>                     | <b>137</b> |
| <b>15.2</b> | <b>Control</b>                           | <b>138</b> |
| 15.2.1      | LCD driving methods                      | 139        |
| 15.2.2      | Frame frequency                          | 140        |
| 15.2.3      | LCD drive voltage                        | 141        |
| 15.2.4      | Adjusting the LCD panel drive capability | 141        |
| <b>15.3</b> | <b>LCD Display Operation</b>             | <b>142</b> |
| 15.3.1      | Display data setting                     | 142        |
| 15.3.2      | Blanking                                 | 142        |
| <b>15.4</b> | <b>Control Method of LCD Driver</b>      | <b>143</b> |
| 15.4.1      | Initial setting                          | 143        |
| 15.4.2      | Store of display data                    | 143        |
| 15.4.3      | Example of LCD driver output             | 145        |

---

## 16.

---

## Input/Output Circuit

---



---

|      |                          |     |
|------|--------------------------|-----|
| 16.1 | Control pins .....       | 151 |
| 16.2 | Input/Output Ports ..... | 152 |

---

---

## 17. Electrical Characteristics

---

|      |  |     |
|------|--|-----|
| 17.1 | Absolute Maximum Ratings .....                     | 155 |
| 17.2 | Recommended Operating Condition .....              | 156 |
| 17.3 | DC Characteristics .....                           | 157 |
| 17.4 | LCD Characteristics .....                          | 158 |
| 17.5 | AD Conversion Characteristics .....                | 159 |
| 17.6 | AC Characteristics .....                           | 160 |
| 17.7 | Timer Counter 1 input (ECIN) Characteristics ..... | 161 |
| 17.8 | Recommended Oscillating Conditions .....           | 162 |
| 17.9 | Handling Precaution .....                          | 162 |

---

---

## 18. Package Dimension

---

---

This is a technical document that describes the operating functions and electrical specifications of the 8-bit microcontroller series TLCS-870/C (LSI).

---



CMOS 8-Bit Microcontroller  
**TMP86CH22UG**

| Product No. | ROM<br>(MaskROM) | RAM          | Package             | OTP MCU     | Emulation Chip |
|-------------|------------------|--------------|---------------------|-------------|----------------|
| TMP86CH22UG | 16384<br>bytes   | 512<br>bytes | P-LQFP44-1010-0.80B | TMP86PH22UG | TMP86C923XB    |

**1.1 Features**

1. 8-bit single chip microcomputer TLCS-870/C series
  - Instruction execution time :
    - 0.25  $\mu$ s (at 16 MHz)
    - 122  $\mu$ s (at 32.768 kHz)
  - 132 types & 731 basic instructions
2. 18interrupt sources (External : 5 Internal : 13)
3. Input / Output ports (I/O : 32 pins Output : 1 pin)
  - Large current output: 3pins (Typ. 20mA), LED direct drive
4. Watchdog Timer
5. Prescaler
  - Time base timer
  - Divider output function
6. 18-bit Timer/Counter : 1ch
  - Timer Mode
  - Event Counter Mode
  - Pulse Width Measurement Mode
  - Frequency Measurement Mode
7. 8-bit timer counter : 2 ch
  - Timer, Event counter, Programmable divider output (PDO),  
Pulse width modulation (PWM) output,

060116EBP

- The information contained herein is subject to change without notice. 021023\_D
- TOSHIBA is continually working to improve the quality and reliability of its products. Nevertheless, semiconductor devices in general can malfunction or fail due to their inherent electrical sensitivity and vulnerability to physical stress. It is the responsibility of the buyer, when utilizing TOSHIBA products, to comply with the standards of safety in making a safe design for the entire system, and to avoid situations in which a malfunction or failure of such TOSHIBA products could cause loss of human life, bodily injury or damage to property. In developing your designs, please ensure that TOSHIBA products are used within specified operating ranges as set forth in the most recent TOSHIBA products specifications. Also, please keep in mind the precautions and conditions set forth in the "Handling Guide for Semiconductor Devices," or "TOSHIBA Semiconductor Reliability Handbook" etc. 021023\_A
- The TOSHIBA products listed in this document are intended for usage in general electronics applications (computer, personal equipment, office equipment, measuring equipment, industrial robotics, domestic appliances, etc.). These TOSHIBA products are neither intended nor warranted for usage in equipment that requires extraordinarily high quality and/or reliability or a malfunction or failure of which may cause loss of human life or bodily injury ("Unintended Usage"). Unintended Usage include atomic energy control instruments, airplane or spaceship instruments, transportation instruments, traffic signal instruments, combustion control instruments, medical instruments, all types of safety devices, etc. Unintended Usage of TOSHIBA products listed in this document shall be made at the customer's own risk. 021023\_B
- The products described in this document shall not be used or embedded to any downstream products of which manufacture, use and/or sale are prohibited under any applicable laws and regulations. 060106\_Q
- The information contained herein is presented only as a guide for the applications of our products. No responsibility is assumed by TOSHIBA for any infringements of patents or other rights of the third parties which may result from its use. No license is granted by implication or otherwise under any patent or patent rights of TOSHIBA or others. 021023\_C
- The products described in this document are subject to the foreign exchange and foreign trade laws. 021023\_E
- For a discussion of how the reliability of microcontrollers can be predicted, please refer to Section 1.3 of the chapter entitled Quality and Reliability Assurance/Handling Precautions. 030619\_S

## Programmable pulse generation (PPG) modes

8. 8-bit UART : 1 ch
9. 8-bit SIO: 1 ch
10. 8-bit successive approximation type AD converter (with sample hold)
  - Analog inputs: 4ch
11. Key-on wakeup : 1 ch
12. LCD driver/controller
  - LCD direct drive capability (MAX 23 seg × 4 com)
  - 1/4,1/3,1/2duties or static drive are programmably selectable
13. Clock operation
  - Single clock mode
  - Dual clock mode
14. Low power consumption operation
  - STOP mode: Oscillation stops. (Battery/Capacitor back-up.)
  - SLOW1 mode: Low power consumption operation using low-frequency clock.(High-frequency clock stop.)
  - SLOW2 mode: Low power consumption operation using low-frequency clock.(High-frequency clock oscillate.)
  - IDLE0 mode: CPU stops, and only the Time-Based-Timer(TBT) on peripherals operate using high frequency clock. Release by falling edge of the source clock which is set by TBTCR<TBTCCK>.
  - IDLE1 mode: CPU stops and peripherals operate using high frequency clock. Release by interrupts(CPU restarts).
  - IDLE2 mode: CPU stops and peripherals operate using high and low frequency clock. Release by interrupts. (CPU restarts).
  - SLEEP0 mode: CPU stops, and only the Time-Based-Timer(TBT) on peripherals operate using low frequency clock.Release by falling edge of the source clock which is set by TBTCR<TBTCCK>.
  - SLEEP1 mode: CPU stops, and peripherals operate using low frequency clock. Release by interrupt.(CPU restarts).
  - SLEEP2 mode: CPU stops and peripherals operate using high and low frequency clock. Release by interrupt.
15. Wide operation voltage:
  - 4.5 V to 5.5 V at 16MHz /32.768 kHz
  - 2.7 V to 5.5 V at 8 MHz /32.768 kHz
  - 1.8 V to 5.5 V at 4.2MHz /32.768 kHz

1.2 Pin Assignment

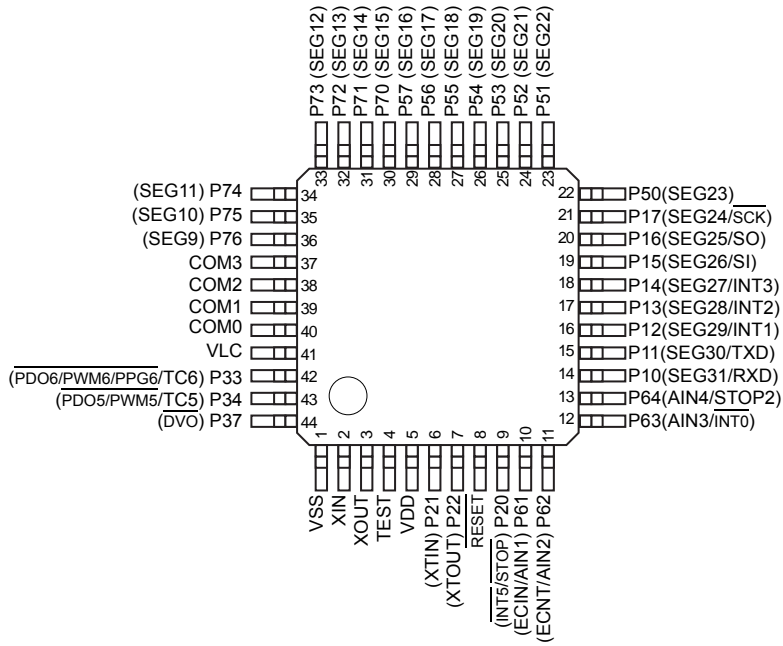


Figure 1-1 Pin Assignment

## 1.3 Block Diagram

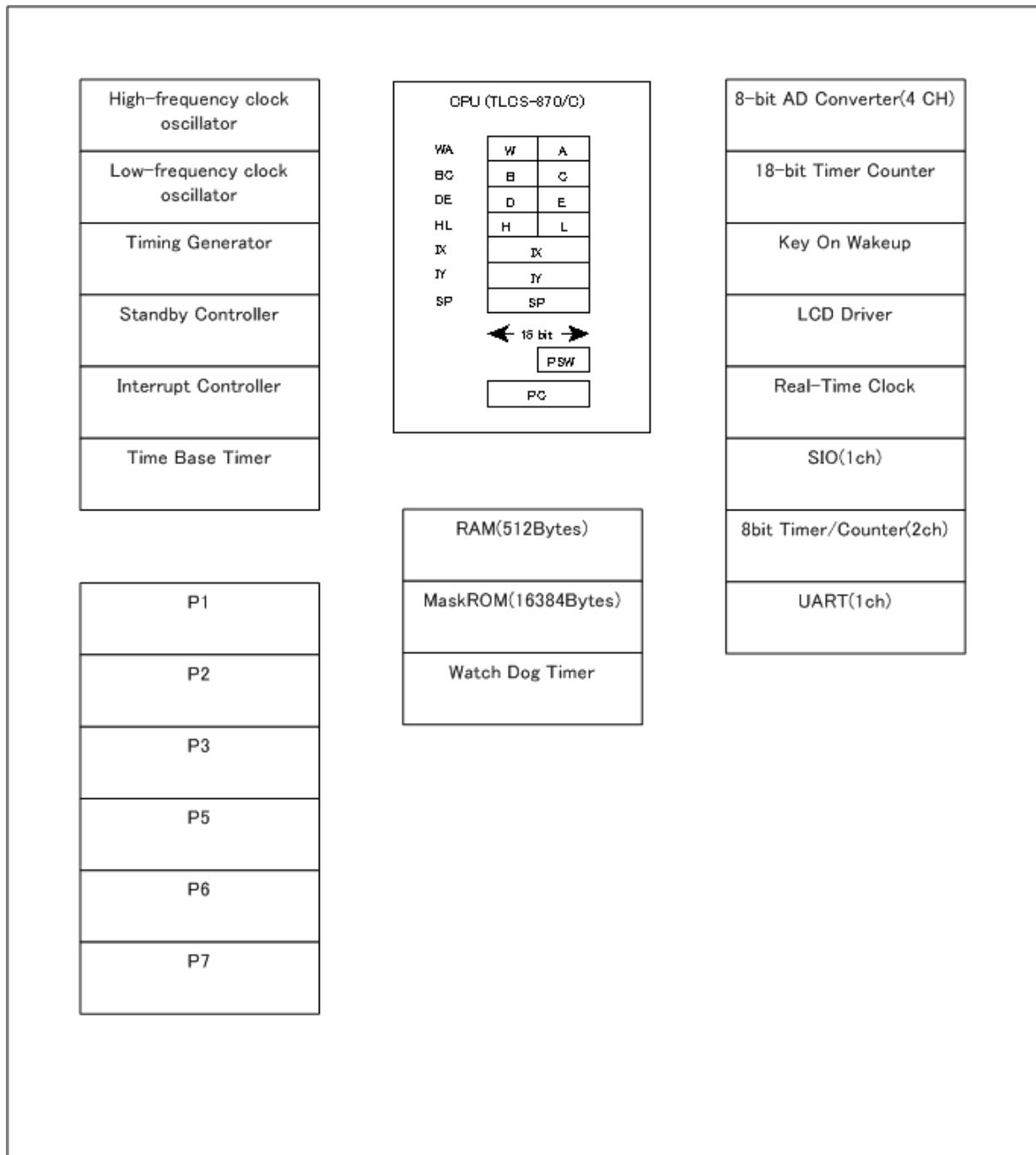


Figure 1-2 Block Diagram

## 1.4 Pin Names and Functions

Table 1-1 Pin Names and Functions(1/3)

| Pin Name                     | Pin Number | Input/Output  | Functions   |
|------------------------------|------------|---------------|---|
| P17<br>SEG24<br>SCK          | 21         | IO<br>O<br>IO | PORT17<br>LCD segment output 24<br>Serial Clock I/O                         |
| P16<br>SEG25<br>SO           | 20         | IO<br>O<br>O  | PORT16<br>LCD segment output 25<br>Serial Data Output                       |
| P15<br>SEG26<br>SI           | 19         | IO<br>O<br>I  | PORT15<br>LCD segment output 26<br>Serial Data Input                        |
| P14<br>SEG27<br>INT3         | 18         | IO<br>O<br>I  | PORT14<br>LCD segment output 27<br>External interrupt 3 input               |
| P13<br>SEG28<br>INT2         | 17         | IO<br>O<br>I  | PORT13<br>LCD segment output 28<br>External interrupt 2 input               |
| P12<br>SEG29<br>INT1         | 16         | IO<br>O<br>I  | PORT12<br>LCD segment output 29<br>External interrupt 1 input               |
| P11<br>SEG30<br>TXD          | 15         | IO<br>O<br>I  | PORT11<br>LCD segment output 30<br>UART data output                         |
| P10<br>SEG31<br>RXD          | 14         | IO<br>O<br>I  | PORT10<br>LCD segment output 31<br>UART data input                          |
| P22<br>XTOUT                 | 7          | IO<br>O       | PORT22<br>Resonator connecting pins(32.768kHz) for inputting external clock |
| P21<br>XTIN                  | 6          | IO<br>I       | PORT21<br>Resonator connecting pins(32.768kHz) for inputting external clock |
| P20<br>STOP<br>INT5          | 9          | IO<br>I<br>I  | PORT20<br>STOP mode release signal input<br>External interrupt 5 input      |
| P37<br>DVO                   | 44         | O<br>O        | PORT37<br>Divider Output  |
| P34<br>TC5<br>PDO5/PWM5      | 43         | IO<br>I<br>O  | PORT34<br>TC5 input<br>PDO5/PWM5 output                                     |
| P33<br>TC6<br>PDO6/PWM6/PPG6 | 42         | IO<br>I<br>O  | PORT33<br>TC6 input<br>PDO6/PWM6/PPG6 output                                |
| P57<br>SEG16                 | 29         | IO<br>O       | PORT57<br>LCD segment output 16   |
| P56<br>SEG17                 | 28         | IO<br>O       | PORT56<br>LCD segment output 17   |
| P55<br>SEG18                 | 27         | IO<br>O       | PORT55<br>LCD segment output 18   |

Table 1-1 Pin Names and Functions(2/3)

| Pin Name                                | Pin Number | Input/Output | Functions   |
|---|------------|--------------|---|
| P54<br>SEG19                            | 26         | IO<br>O      | PORT54<br>LCD segment output 19                                     |
| P53<br>SEG20                            | 25         | IO<br>O      | PORT53<br>LCD segment output 20                                     |
| P52<br>SEG21                            | 24         | IO<br>O      | PORT52<br>LCD segment output 21                                     |
| P51<br>SEG22                            | 23         | IO<br>O      | PORT51<br>LCD segment output 22                                     |
| P50<br>SEG23                            | 22         | IO<br>O      | PORT50<br>LCD segment output 23                                     |
| P64<br>AIN4<br>STOP2                    | 13         | IO<br>I<br>I | PORT64<br>AD converter analog input 4<br>STOP2 input                |
| P63<br>AIN3<br>$\overline{\text{INT0}}$ | 12         | IO<br>I<br>I | PORT63<br>AD converter analog input 3<br>External interrupt 0 input |
| P62<br>AIN2<br>ECNT                     | 11         | IO<br>I<br>I | PORT62<br>AD converter analog input 2<br>ECNT input                 |
| P61<br>AIN1<br>ECIN                     | 10         | IO<br>I<br>I | PORT61<br>AD converter analog input 1<br>ECIN input                 |
| P76<br>SEG9                             | 36         | IO<br>O      | PORT76<br>LCD segment output 9                                      |
| P75<br>SEG10                            | 35         | IO<br>O      | PORT75<br>LCD segment output 10                                     |
| P74<br>SEG11                            | 34         | IO<br>O      | PORT74<br>LCD segment output 11                                     |
| P73<br>SEG12                            | 33         | IO<br>O      | PORT73<br>LCD segment output 12                                     |
| P72<br>SEG13                            | 32         | IO<br>I      | PORT72<br>LCD segment output 13                                     |
| P71<br>SEG14                            | 31         | IO<br>O      | PORT71<br>LCD segment output 14                                     |
| P70<br>SEG15                            | 30         | IO<br>O      | PORT70<br>LCD segment output 15                                     |
| COM3                                    | 37         | O            | LCD common output 3   |
| COM2                                    | 38         | O            | LCD common output 2   |
| COM1                                    | 39         | O            | LCD common output 1   |
| COM0                                    | 40         | O            | LCD common output 0   |
| XIN                                     | 2          | I            | Resonator connecting pins for high-frequency clock                  |



Table 1-1 Pin Names and Functions(3/3)

| Pin Name | Pin Number | Input/Output | Functions   |
|----------|------------|--------------|---|
| XOUT     | 3          | O            | Resonator connecting pins for high-frequency clock      |
| RESET    | 8          | I            | Reset signal  |
| TEST     | 4          | I            | Test pin for out-going test. Normally, be fixed to low. |
| VDD      | 5          | I            | +5V   |
| VSS      | 1          | I            | 0(GND)  |



## 2. Operational Description

### 2.1 CPU Core Functions

The CPU core consists of a CPU, a system clock controller, and an interrupt controller.

This section provides a description of the CPU core, the program memory, the data memory, and the reset circuit.

#### 2.1.1 Memory Address Map

The TMP86CH22UG memory is composed MaskROM, RAM, DBR(Data buffer register) and SFR(Special function register). They are all mapped in 64-Kbyte address space. Figure 2-1 shows the TMP86CH22UG memory address map.

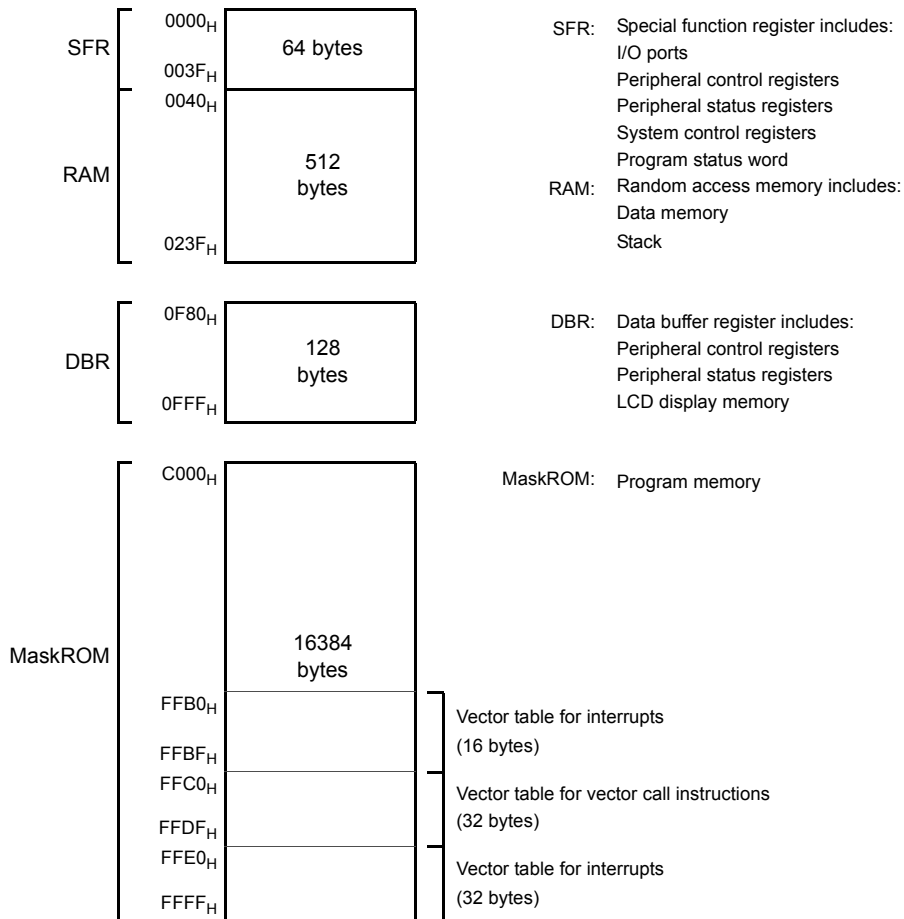


Figure 2-1 Memory Address Map

#### 2.1.2 Program Memory (MaskROM)

The TMP86CH22UG has a 16384 bytes (Address C000H to FFFFH) of program memory (MaskROM).

### 2.1.3 Data Memory (RAM)

The TMP86CH22UG has 512bytes (Address 0040H to 023FH) of internal RAM. The first 192 bytes (0040H to 00FFH) of the internal RAM are located in the direct area; instructions with shorten operations are available against such an area.

The data memory contents become unstable when the power supply is turned on; therefore, the data memory should be initialized by an initialization routine.

Example :Clears RAM to “00H”. (TMP86CH22UG)

```

LD      HL, 0040H      ; Start address setup
LD      A, H          ; Initial value (00H) setup
LD      BC, 01FFH
SRAMCLR: LD      (HL), A
INC     HL
DEC     BC
JRS    F, SRAMCLR

```

## 2.2 System Clock Controller

The system clock controller consists of a clock generator, a timing generator, and a standby controller.

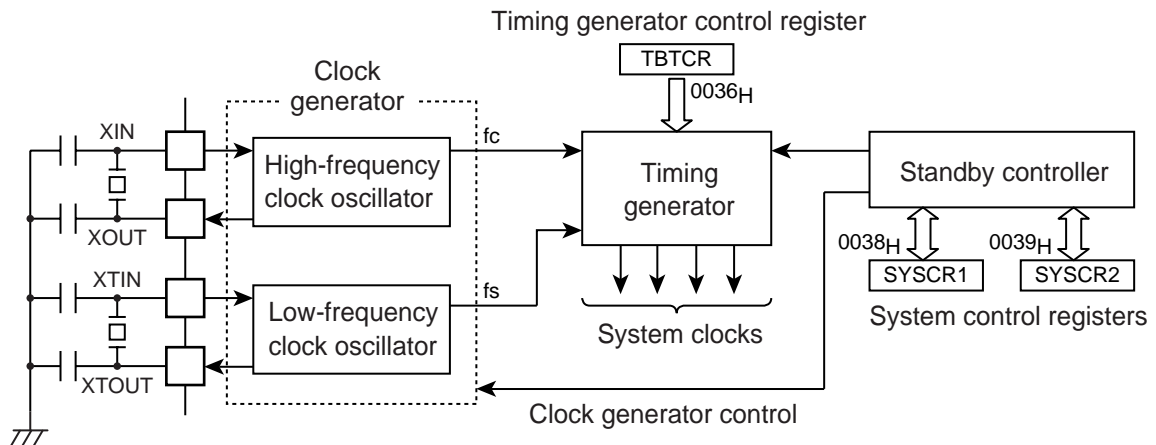


Figure 2-2 System Colck Control

### 2.2.1 Clock Generator

The clock generator generates the basic clock which provides the system clocks supplied to the CPU core and peripheral hardware. It contains two oscillation circuits: One for the high-frequency clock and one for the low-frequency clock. Power consumption can be reduced by switching of the standby controller to low-power operation based on the low-frequency clock.

The high-frequency (fc) clock and low-frequency (fs) clock can easily be obtained by connecting a resonator between the XIN/XOUT and XTIN/XTOUT pins respectively. Clock input from an external oscillator is also possible. In this case, external clock is applied to XIN/XTIN pin with XOUT/XTOUT pin not connected.

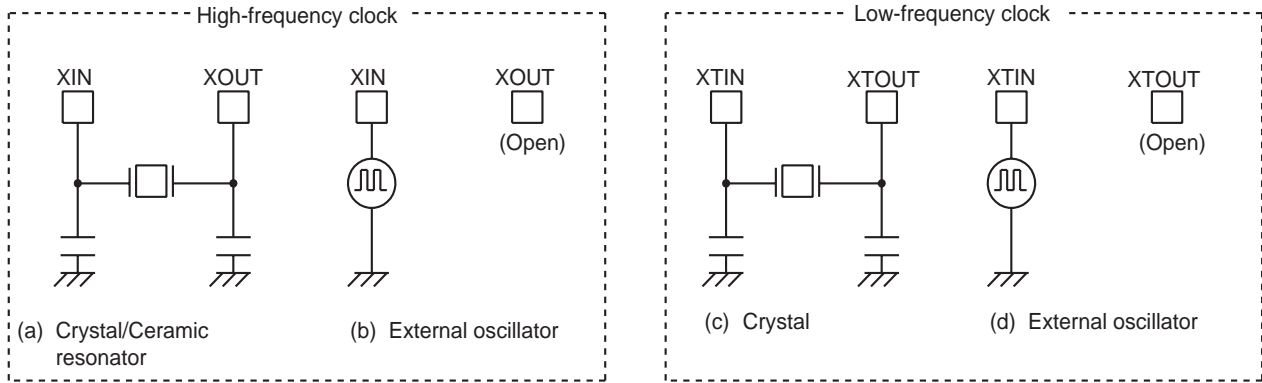


Figure 2-3 Examples of Resonator Connection

Note: The function to monitor the basic clock directly at external is not provided for hardware, however, with disabling all interrupts and watchdog timers, the oscillation frequency can be adjusted by monitoring the pulse which the fixed frequency is outputted to the port by the program. The system to require the adjustment of the oscillation frequency should create the program for the adjustment in advance.

## 2.2.2 Timing Generator

The timing generator generates the various system clocks supplied to the CPU core and peripheral hardware from the basic clock ( $f_c$  or  $f_s$ ). The timing generator provides the following functions.

1. Generation of main system clock
2. Generation of divider output ( $\overline{DV0}$ ) pulses
3. Generation of source clocks for time base timer
4. Generation of source clocks for watchdog timer
5. Generation of internal source clocks for timer/counters
6. Generation of warm-up clocks for releasing STOP mode
7. LCD

### 2.2.2.1 Configuration of timing generator

The timing generator consists of a 2-stage prescaler, a 21-stage divider, a main system clock generator, and machine cycle counters.

An input clock to the 7th stage of the divider depends on the operating mode,  $SYSCK2<SYSCK>$  and  $TBTCR<DV7CK>$ , that is shown in Figure 2-4. As reset and STOP mode started/canceled, the prescaler and the divider are cleared to “0”.

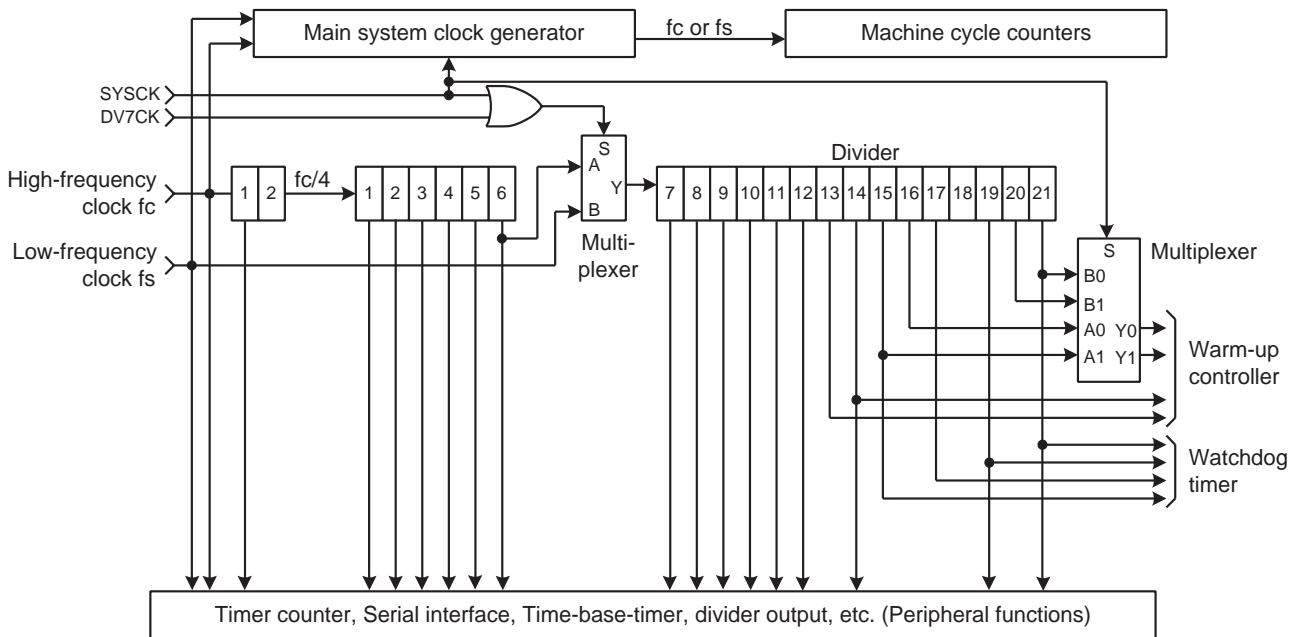
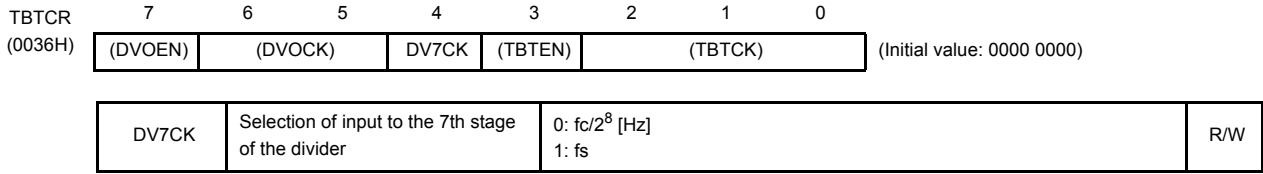


Figure 2-4 Configuration of Timing Generator

Timing Generator Control Register



- Note 1: In single clock mode, do not set DV7CK to "1".
- Note 2: Do not set "1" on DV7CK while the low-frequency clock is not operated stably.
- Note 3: fc: High-frequency clock [Hz], fs: Low-frequency clock [Hz], \*: Don't care
- Note 4: In SLOW1/2 and SLEEP1/2 modes, the DV7CK setting is ineffective, and fs is input to the 7th stage of the divider.
- Note 5: When STOP mode is entered from NORMAL1/2 mode, the DV7CK setting is ineffective during the warm-up period after release of STOP mode, and the 6th stage of the divider is input to the 7th stage during this period.

2.2.2.2 Machine cycle

Instruction execution and peripheral hardware operation are synchronized with the main system clock.

The minimum instruction execution unit is called an "machine cycle". There are a total of 10 different types of instructions for the TLCS-870/C Series: Ranging from 1-cycle instructions which require one machine cycle for execution to 10-cycle instructions which require 10 machine cycles for execution. A machine cycle consists of 4 states (S0 to S3), and each state consists of one main system clock.

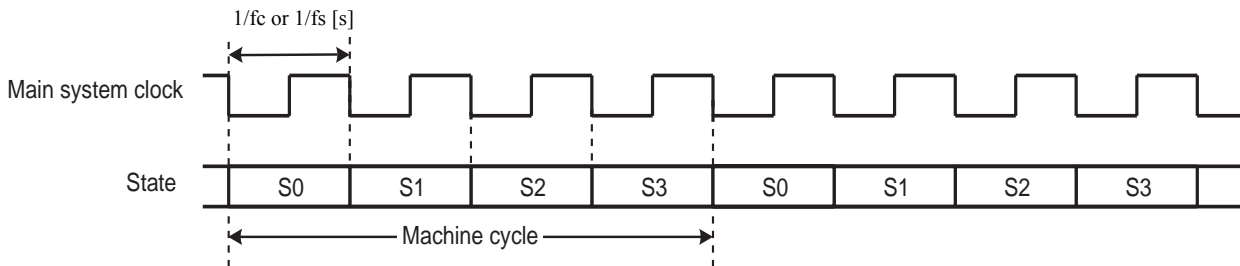


Figure 2-5 Machine Cycle

2.2.3 Operation Mode Control Circuit

The operation mode control circuit starts and stops the oscillation circuits for the high-frequency and low-frequency clocks, and switches the main system clock. There are three operating modes: Single clock mode, dual clock mode and STOP mode. These modes are controlled by the system control registers (SYSCR1 and SYSCR2). Figure 2-6 shows the operating mode transition diagram.

2.2.3.1 Single-clock mode

Only the oscillation circuit for the high-frequency clock is used, and P21 (XTIN) and P22 (XTOUT) pins are used as input/output ports. The main-system clock is obtained from the high-frequency clock. In the single-clock mode, the machine cycle time is  $4/fc$  [s].

(1) NORMAL1 mode

In this mode, both the CPU core and on-chip peripherals operate using the high-frequency clock. The TMP86CH22UG is placed in this mode after reset.

## (2) IDLE1 mode

In this mode, the internal oscillation circuit remains active. The CPU and the watchdog timer are halted; however on-chip peripherals remain active (Operate using the high-frequency clock).

IDLE1 mode is started by SYSCR2<IDLE> = "1", and IDLE1 mode is released to NORMAL1 mode by an interrupt request from the on-chip peripherals or external interrupt inputs. When the IMF (Interrupt master enable flag) is "1" (Interrupt enable), the execution will resume with the acceptance of the interrupt, and the operation will return to normal after the interrupt service is completed. When the IMF is "0" (Interrupt disable), the execution will resume with the instruction which follows the IDLE1 mode start instruction.

## (3) IDLE0 mode

In this mode, all the circuit, except oscillator and the timer-base-timer, stops operation.

This mode is enabled by SYSCR2<TGHALT> = "1".

When IDLE0 mode starts, the CPU stops and the timing generator stops feeding the clock to the peripheral circuits other than TBT. Then, upon detecting the falling edge of the source clock selected with TBTCR<TBTCK>, the timing generator starts feeding the clock to all peripheral circuits.

When returned from IDLE0 mode, the CPU restarts operating, entering NORMAL1 mode back again. IDLE0 mode is entered and returned regardless of how TBTCR<TBTEN> is set. When IMF = "1", EF6 (TBT interrupt individual enable flag) = "1", and TBTCR<TBTEN> = "1", interrupt processing is performed. When IDLE0 mode is entered while TBTCR<TBTEN> = "1", the INTTBT interrupt latch is set after returning to NORMAL1 mode.

### 2.2.3.2 Dual-clock mode

Both the high-frequency and low-frequency oscillation circuits are used in this mode. P21 (XTIN) and P22 (XTOUT) pins cannot be used as input/output ports. The main system clock is obtained from the high-frequency clock in NORMAL2 and IDLE2 modes, and is obtained from the low-frequency clock in SLOW and SLEEP modes. The machine cycle time is  $4/f_c$  [s] in the NORMAL2 and IDLE2 modes, and  $4/f_s$  [s] (122  $\mu$ s at  $f_s = 32.768$  kHz) in the SLOW and SLEEP modes.

The TLCS-870/C is placed in the signal-clock mode during reset. To use the dual-clock mode, the low-frequency oscillator should be turned on at the start of a program.

## (1) NORMAL2 mode

In this mode, the CPU core operates with the high-frequency clock. On-chip peripherals operate using the high-frequency clock and/or low-frequency clock.

## (2) SLOW2 mode

In this mode, the CPU core operates with the low-frequency clock, while both the high-frequency clock and the low-frequency clock are operated. As the SYSCR2<SYSCK> becomes "1", the hardware changes into SLOW2 mode. As the SYSCR2<SYSCK> becomes "0", the hardware changes into NORMAL2 mode. As the SYSCR2<XEN> becomes "0", the hardware changes into SLOW1 mode. Do not clear SYSCR2<XTEN> to "0" during SLOW2 mode.

## (3) SLOW1 mode

This mode can be used to reduce power-consumption by turning off oscillation of the high-frequency clock. The CPU core and on-chip peripherals operate using the low-frequency clock.



Switching back and forth between SLOW1 and SLOW2 modes are performed by SYSCR2<XEN>. In SLOW1 and SLEEP modes, the input clock to the 1st stage of the divider is stopped; output from the 1st to 6th stages is also stopped.

(4) IDLE2 mode

In this mode, the internal oscillation circuit remain active. The CPU and the watchdog timer are halted; however, on-chip peripherals remain active (Operate using the high-frequency clock and/or the low-frequency clock). Starting and releasing of IDLE2 mode are the same as for IDLE1 mode, except that operation returns to NORMAL2 mode.

(5) SLEEP1 mode

In this mode, the internal oscillation circuit of the low-frequency clock remains active. The CPU, the watchdog timer, and the internal oscillation circuit of the high-frequency clock are halted; however, on-chip peripherals remain active (Operate using the low-frequency clock). Starting and releasing of SLEEP mode are the same as for IDLE1 mode, except that operation returns to SLOW1 mode. In SLOW1 and SLEEP1 modes, the input clock to the 1st stage of the divider is stopped; output from the 1st to 6th stages is also stopped.

(6) SLEEP2 mode

The SLEEP2 mode is the idle mode corresponding to the SLOW2 mode. The status under the SLEEP2 mode is same as that under the SLEEP1 mode, except for the oscillation circuit of the high-frequency clock.

(7) SLEEP0 mode

In this mode, all the circuit, except oscillator and the timer-base-timer, stops operation. This mode is enabled by setting “1” on bit SYSCR2<TGHALT>.

When SLEEP0 mode starts, the CPU stops and the timing generator stops feeding the clock to the peripheral circuits other than TBT. Then, upon detecting the falling edge of the source clock selected with TBTCR<TBTCK>, the timing generator starts feeding the clock to all peripheral circuits.

When returned from SLEEP0 mode, the CPU restarts operating, entering SLOW1 mode back again. SLEEP0 mode is entered and returned regardless of how TBTCR<TBTEN> is set. When IMF = “1”, EF6 (TBT interrupt individual enable flag) = “1”, and TBTCR<TBTEN> = “1”, interrupt processing is performed. When SLEEP0 mode is entered while TBTCR<TBTEN> = “1”, the INTTBT interrupt latch is set after returning to SLOW1 mode.

### 2.2.3.3 STOP mode

In this mode, the internal oscillation circuit is turned off, causing all system operations to be halted. The internal status immediately prior to the halt is held with a lowest power consumption during STOP mode.

STOP mode is started by the system control register 1 (SYSCR1), and STOP mode is released by a inputting (Either level-sensitive or edge-sensitive can be programmably selected) to the  $\overline{\text{STOP}}$  pin. After the warm-up period is completed, the execution resumes with the instruction which follows the STOP mode start instruction.

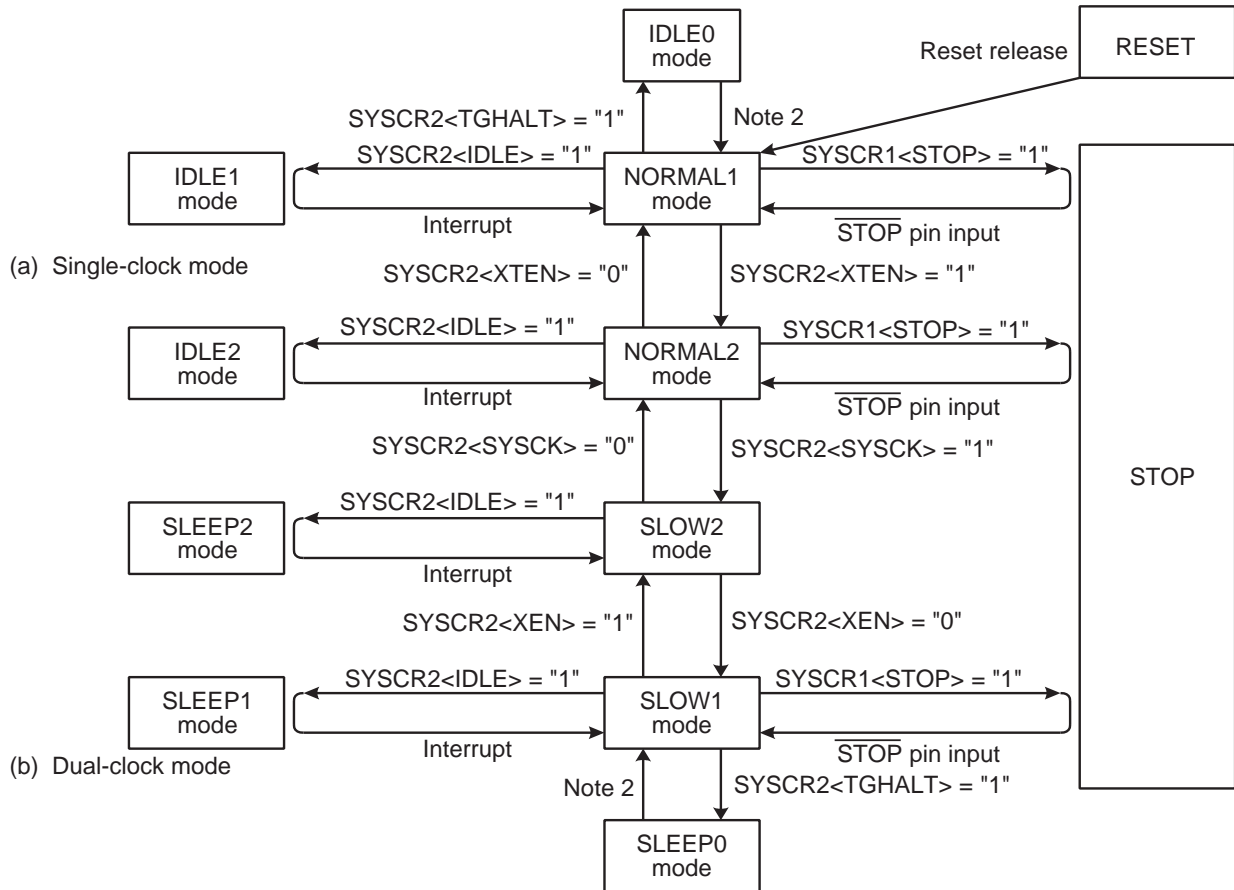


Figure 2-6 Operating Mode Transition Diagram

Table 2-1 Operating Mode and Conditions

| Operating Mode |         | Oscillator     |               | CPU Core                    | TBT     | Other Peripherals | Machine Cycle Time |
|----------------|---------|----------------|---------------|-----------------------------|---------|-------------------|--------------------|
|                |         | High Frequency | Low Frequency |                             |         |                   |                    |
| Single clock   | RESET   | Oscillation    | Stop          | Reset                       | Reset   | Reset             | 4/fc [s]           |
|                | NORMAL1 |                |               | Operate                     | Operate | Operate           |                    |
|                | IDLE1   |                |               | Operate                     | Operate | Operate           |                    |
|                | IDLE0   |                |               | Operate                     | Operate | Halt              |                    |
|                | STOP    | Stop           | Halt          | Halt                        | -       |                   |                    |
| Dual clock     | NORMAL2 | Oscillation    | Oscillation   | Operate with high frequency | Operate | Operate           | 4/fc [s]           |
|                | IDLE2   |                |               | Halt                        |         |                   |                    |
|                | SLOW2   |                |               | Operate with low frequency  |         |                   |                    |
|                | SLEEP2  |                |               | Halt                        |         |                   |                    |
|                | SLOW1   | Stop           | Stop          | Operate with low frequency  |         |                   | 4/fs [s]           |
|                | SLEEP1  |                |               | Halt                        |         |                   |                    |
|                | SLEEP0  |                |               | Halt                        |         |                   |                    |
|                | STOP    |                |               | Stop                        |         |                   |                    |

**System Control Register 1**

|         |      |      |      |       |     |   |   |   |                            |
|---------|------|------|------|-------|-----|---|---|---|----------------------------|
| SYSCR1  | 7    | 6    | 5    | 4     | 3   | 2 | 1 | 0 |                            |
| (0038H) | STOP | RELM | RETM | OUTEN | WUT |   |   |   | (Initial value: 0000 00**) |

|       |                                     |   |                       |                      |     |
|-------|-------------------------------------|---|-----------------------|----------------------|-----|
| STOP  | STOP mode start                     | 0: CPU core and peripherals remain active<br>1: CPU core and peripherals are halted (Start STOP mode) |                       | R/W                  |     |
| RELM  | Release method for STOP mode        | 0: Edge-sensitive release<br>1: Level-sensitive release   |                       | R/W                  |     |
| RETM  | Operating mode after STOP mode      | 0: Return to NORMAL1/2 mode<br>1: Return to SLOW1 mode  |                       | R/W                  |     |
| OUTEN | Port output during STOP mode        | 0: High impedance<br>1: Output kept   |                       | R/W                  |     |
| WUT   | Warm-up time at releasing STOP mode |   | Return to NORMAL mode | Return to SLOW mode  | R/W |
|       |                                     | 00  | $3 \times 2^{16}/fc$  | $3 \times 2^{13}/fs$ |     |
|       |                                     | 01  | $2^{16}/fc$           | $2^{13}/fs$          |     |
|       |                                     | 10  | $3 \times 2^{14}/fc$  | $3 \times 2^6/fs$    |     |
|       |                                     | 11  | $2^{14}/fc$           | $2^6/fs$             |     |

- Note 1: Always set RETM to "0" when transitioning from NORMAL mode to STOP mode. Always set RETM to "1" when transitioning from SLOW mode to STOP mode.
- Note 2: When STOP mode is released with  $\overline{\text{RESET}}$  pin input, a return is made to NORMAL1 regardless of the RETM contents.
- Note 3: fc: High-frequency clock [Hz], fs: Low-frequency clock [Hz], \*, Don't care
- Note 4: Bits 1 and 0 in SYSCR1 are read as undefined data when a read instruction is executed.
- Note 5: As the hardware becomes STOP mode under OUTEN = "0", input value is fixed to "0"; therefore it may cause external interrupt request on account of falling edge.
- Note 6: When the key-on wakeup is used, RELM should be set to "1".
- Note 7: Port P20 is used as  $\overline{\text{STOP}}$  pin. Therefore, when stop mode is started, OUTEN does not affect to P20, and P20 becomes High-Z mode.
- Note 8: The warmig-up time should be set correctly for using oscillator.

**System Control Register 2**

|         |     |      |       |      |   |        |   |   |                            |
|---------|-----|------|-------|------|---|--------|---|---|----------------------------|
| SYSCR2  | 7   | 6    | 5     | 4    | 3 | 2      | 1 | 0 |                            |
| (0039H) | XEN | XTEN | SYSCK | IDLE |   | TGHALT |   |   | (Initial value: 1000 *0**) |

|        |   |  |  |     |
|--------|---|--|--|-----|
| XEN    | High-frequency oscillator control                                 | 0: Turn off oscillation<br>1: Turn on oscillation  |  | R/W |
| XTEN   | Low-frequency oscillator control                                  | 0: Turn off oscillation<br>1: Turn on oscillation  |  |     |
| SYSCK  | Main system clock select (Write)/main system clock monitor (Read) | 0: High-frequency clock (NORMAL1/NORMAL2/IDLE1/IDLE2)<br>1: Low-frequency clock (SLOW1/SLOW2/SLEEP1/SLEEP2)                            |  |     |
| IDLE   | CPU and watchdog timer control (IDLE1/2 and SLEEP1/2 modes)       | 0: CPU and watchdog timer remain active<br>1: CPU and watchdog timer are stopped (Start IDLE1/2 and SLEEP1/2 modes)                    |  | R/W |
| TGHALT | TG control (IDLE0 and SLEEP0 modes)                               | 0: Feeding clock to all peripherals from TG<br>1: Stop feeding clock to peripherals except TBT from TG. (Start IDLE0 and SLEEP0 modes) |  |     |

- Note 1: A reset is applied if both XEN and XTEN are cleared to "0", XEN is cleared to "0" when SYSCK = "0", or XTEN is cleared to "0" when SYSCK = "1".
- Note 2: \*: Don't care, TG: Timing generator, \*, Don't care
- Note 3: Bits 3, 1 and 0 in SYSCR2 are always read as undefined value.
- Note 4: Do not set IDLE and TGHALT to "1" simultaneously.
- Note 5: Because returning from IDLE0/SLEEP0 to NORMAL1/SLOW1 is executed by the asynchronous internal clock, the period of IDLE0/SLEEP0 mode might be shorter than the period setting by  $\text{TBTCR} < \text{TBTCK} >$ .
- Note 6: When IDLE1/2 or SLEEP1/2 mode is released, IDLE is automatically cleared to "0".
- Note 7: When IDLE0 or SLEEP0 mode is released, TGHALT is automatically cleared to "0".
- Note 8: Before setting TGHALT to "1", be sure to stop peripherals. If peripherals are not stopped, the interrupt latch of peripherals may be set after IDLE0 or SLEEP0 mode is released.

## 2.2.4 Operating Mode Control

### 2.2.4.1 STOP mode

STOP mode is controlled by the system control register 1, the  $\overline{\text{STOP}}$  pin input and key-on wakeup input (STOP2) which is controlled by the STOP mode release control register (STOPCR).

The  $\overline{\text{STOP}}$  pin is also used both as a port P20 and an  $\overline{\text{INT5}}$  (external interrupt input 5) pin. STOP mode is started by setting SYSCR1<STOP> to “1”. During STOP mode, the following status is maintained.

1. Oscillations are turned off, and all internal operations are halted.
2. The data memory, registers, the program status word and port output latches are all held in the status in effect before STOP mode was entered.
3. The prescaler and the divider of the timing generator are cleared to “0”.
4. The program counter holds the address 2 ahead of the instruction (e.g., [SET (SYSCR1).7]) which started STOP mode.

STOP mode includes a level-sensitive mode and an edge-sensitive mode, either of which can be selected with the SYSCR1<RELM>. Do not use any key-on wakeup input (STOP2) for releasing STOP mode in edge-sensitive mode.

Note 1: The STOP mode can be released by either the STOP or key-on wakeup pin (STOP2). However, because the STOP pin is different from the key-on wakeup and can not inhibit the release input, the STOP pin must be used for releasing STOP mode.

Note 2: During STOP period (from start of STOP mode to end of warm up), due to changes in the external interrupt pin signal, interrupt latches may be set to “1” and interrupts may be accepted immediately after STOP mode is released. Before starting STOP mode, therefore, disable interrupts. Also, before enabling interrupts after STOP mode is released, clear unnecessary interrupt latches.

#### (1) Level-sensitive release mode (RELM = “1”)

In this mode, STOP mode is released by setting the  $\overline{\text{STOP}}$  pin high or setting the STOP2 pin input which is enabled by STOPCR. This mode is used for capacitor backup when the main power supply is cut off and long term battery backup.

Even if an instruction for starting STOP mode is executed while  $\overline{\text{STOP}}$  pin input is high or STOP2 input is low, STOP mode does not start but instead the warm-up sequence starts immediately. Thus, to start STOP mode in the level-sensitive release mode, it is necessary for the program to first confirm that the  $\overline{\text{STOP}}$  pin input is low or STOP2 input is high. The following two methods can be used for confirmation.

1. Testing a port.
2. Using an external interrupt input  $\overline{\text{INT5}}$  ( $\overline{\text{INT5}}$  is a falling edge-sensitive input).

Example 1 :Starting STOP mode from NORMAL mode by testing a port P20.

```

LD          (SYSCR1), 01010000B    ; Sets up the level-sensitive release mode
SSTOPH:    TEST      (P2PRD), 0      ; Wait until the  $\overline{\text{STOP}}$  pin input goes low level
           JRS       F, SSTOPH
           DI                    ; IMF ← 0
           SET      (SYSCR1), 7      ; Starts STOP mode

```

Example 2 :Starting STOP mode from NORMAL mode with an INT5 interrupt.

```

PINT5:      TEST      (P2PRD). 0           ; To reject noise, STOP mode does not start if
           JRS        F, SINT5           port P20 is at high
           LD         (SYSCR1), 01010000B ; Sets up the level-sensitive release mode.
           DI         ; IMF ← 0
           SET        (SYSCR1). 7        ; Starts STOP mode

SINT5:      RETI
    
```

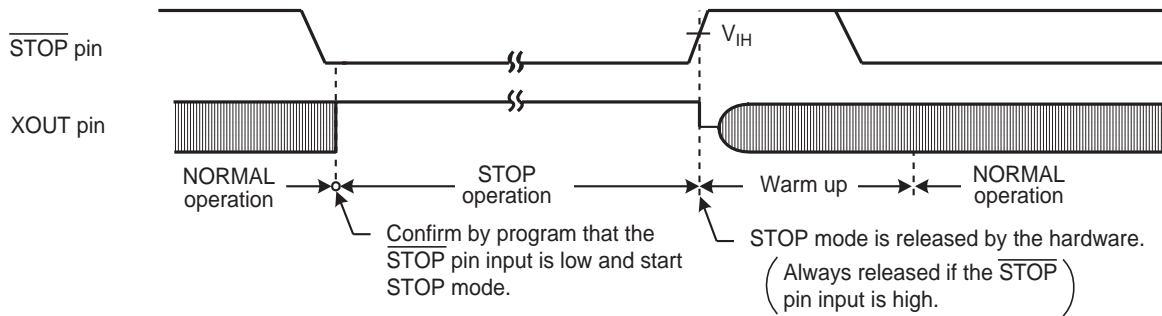


Figure 2-7 Level-sensitive Release Mode

- Note 1: Even if the  $\overline{\text{STOP}}$  pin input is low after warm-up start, the STOP mode is not restarted.
- Note 2: In this case of changing to the level-sensitive mode from the edge-sensitive mode, the release mode is not switched until a rising edge of the  $\overline{\text{STOP}}$  pin input is detected.

(2) Edge-sensitive release mode (RELM = "0")

In this mode, STOP mode is released by a rising edge of the  $\overline{\text{STOP}}$  pin input. This is used in applications where a relatively short program is executed repeatedly at periodic intervals. This periodic signal (for example, a clock from a low-power consumption oscillator) is input to the  $\overline{\text{STOP}}$  pin. In the edge-sensitive release mode, STOP mode is started even when the  $\overline{\text{STOP}}$  pin input is high level. Do not use any STOP2 pin input for releasing STOP mode in edge-sensitive release mode.

Example :Starting STOP mode from NORMAL mode

```

DI         ; IMF ← 0
LD         (SYSCR1), 10010000B ; Starts after specified to the edge-sensitive release mode
    
```

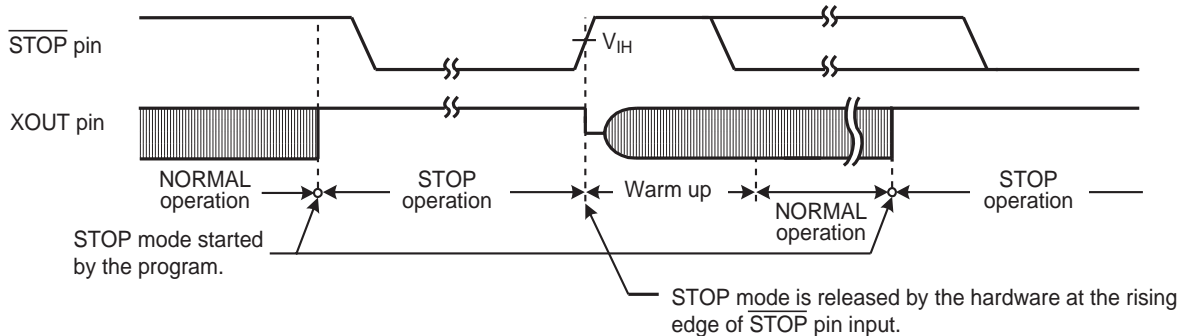


Figure 2-8 Edge-sensitive Release Mode

STOP mode is released by the following sequence.

1. In the dual-clock mode, when returning to NORMAL2, both the high-frequency and low-frequency clock oscillators are turned on; when returning to SLOW1 mode, only the low-frequency clock oscillator is turned on. In the single-clock mode, only the high-frequency clock oscillator is turned on.
2. A warm-up period is inserted to allow oscillation time to stabilize. During warm up, all internal operations remain halted. Four different warm-up times can be selected with the SYSCR1<WUT> in accordance with the resonator characteristics.
3. When the warm-up time has elapsed, normal operation resumes with the instruction following the STOP mode start instruction.

Note 1: When the STOP mode is released, the start is made after the prescaler and the divider of the timing generator are cleared to "0".

Note 2: STOP mode can also be released by inputting low level on the  $\overline{\text{RESET}}$  pin, which immediately performs the normal reset operation.

Note 3: When STOP mode is released with a low hold voltage, the following cautions must be observed. The power supply voltage must be at the operating voltage level before releasing STOP mode. The  $\overline{\text{RESET}}$  pin input must also be "H" level, rising together with the power supply voltage. In this case, if an external time constant circuit has been connected, the  $\overline{\text{RESET}}$  pin input voltage will increase at a slower pace than the power supply voltage. At this time, there is a danger that a reset may occur if input voltage level of the  $\overline{\text{RESET}}$  pin drops below the non-inverting high-level input voltage (Hysteresis input).

Table 2-2 Warm-up Time Example (at  $f_c = 16.0$  MHz,  $f_s = 32.768$  kHz)

| WUT | Warm-up Time [ms]     |                     |
|-----|-----------------------|---------------------|
|     | Return to NORMAL Mode | Return to SLOW Mode |
| 00  | 12.288                | 750                 |
| 01  | 4.096                 | 250                 |
| 10  | 3.072                 | 5.85                |
| 11  | 1.024                 | 1.95                |

Note 1: The warm-up time is obtained by dividing the basic clock by the divider. Therefore, the warm-up time may include a certain amount of error if there is any fluctuation of the oscillation frequency when STOP mode is released. Thus, the warm-up time must be considered as an approximate value.

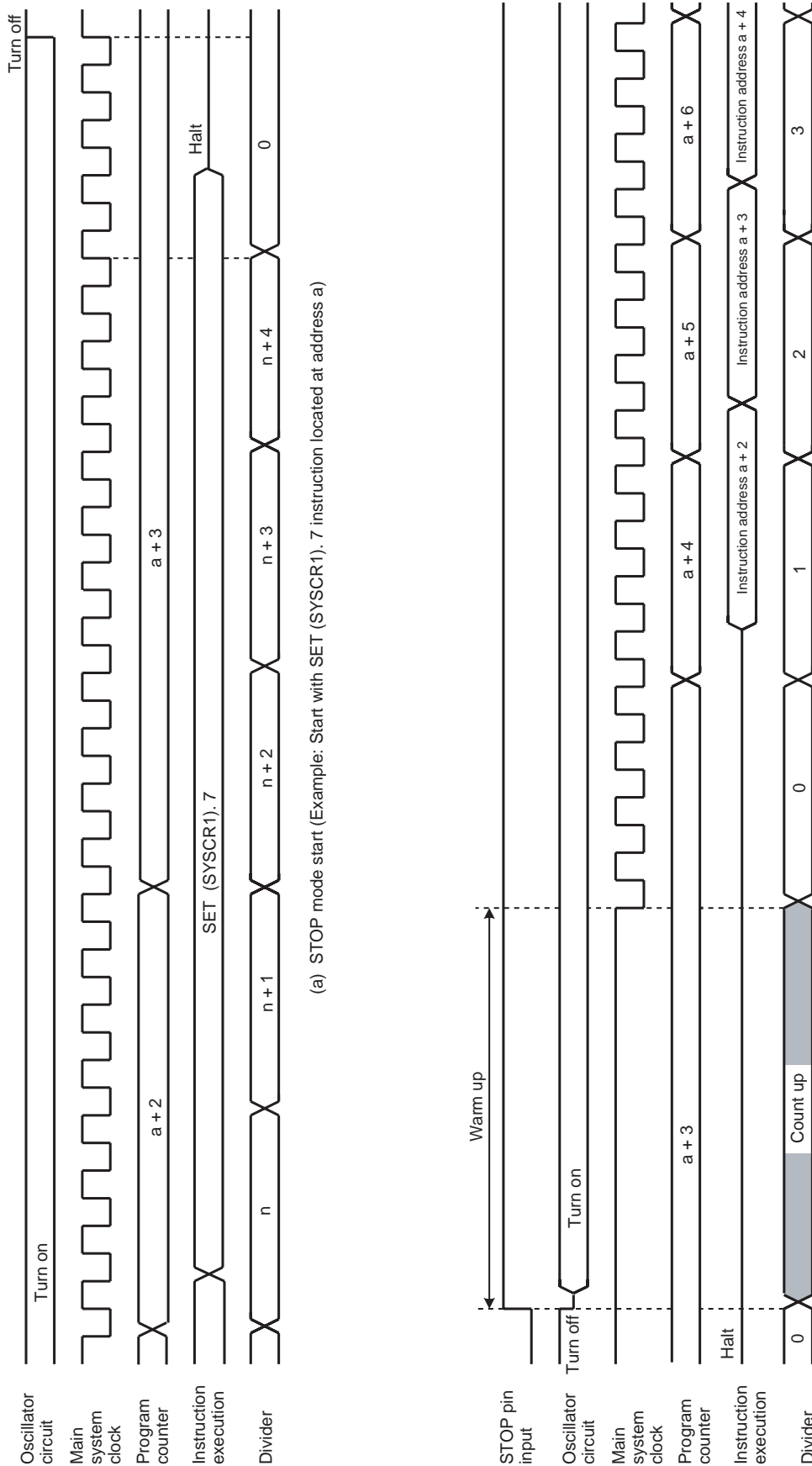


Figure 2-9 STOP Mode Start/Release

### 2.2.4.2 IDLE1/2 mode and SLEEP1/2 mode

IDLE1/2 and SLEEP1/2 modes are controlled by the system control register 2 (SYSCR2) and maskable interrupts. The following status is maintained during these modes.

1. Operation of the CPU and watchdog timer (WDT) is halted. On-chip peripherals continue to operate.
2. The data memory, CPU registers, program status word and port output latches are all held in the status in effect before these modes were entered.
3. The program counter holds the address 2 ahead of the instruction which starts these modes.

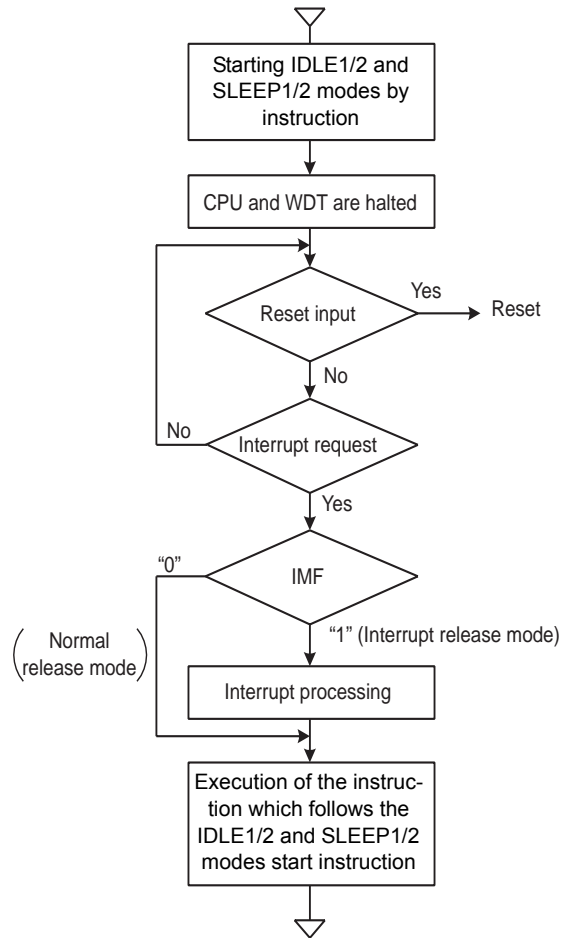


Figure 2-10 IDLE1/2 and SLEEP1/2 Modes



- Start the IDLE1/2 and SLEEP1/2 modes

After IMF is set to "0", set the individual interrupt enable flag (EF) which releases IDLE1/2 and SLEEP1/2 modes. To start IDLE1/2 and SLEEP1/2 modes, set SYSCR2<IDLE> to "1".

- Release the IDLE1/2 and SLEEP1/2 modes

IDLE1/2 and SLEEP1/2 modes include a normal release mode and an interrupt release mode. These modes are selected by interrupt master enable flag (IMF). After releasing IDLE1/2 and SLEEP1/2 modes, the SYSCR2<IDLE> is automatically cleared to "0" and the operation mode is returned to the mode preceding IDLE1/2 and SLEEP1/2 modes.

IDLE1/2 and SLEEP1/2 modes can also be released by inputting low level on the  $\overline{\text{RESET}}$  pin. After releasing reset, the operation mode is started from NORMAL1 mode.

(1) Normal release mode (IMF = "0")

IDLE1/2 and SLEEP1/2 modes are released by any interrupt source enabled by the individual interrupt enable flag (EF). After the interrupt is generated, the program operation is resumed from the instruction following the IDLE1/2 and SLEEP1/2 modes start instruction. Normally, the interrupt latches (IL) of the interrupt source used for releasing must be cleared to "0" by load instructions.

(2) Interrupt release mode (IMF = "1")

IDLE1/2 and SLEEP1/2 modes are released by any interrupt source enabled with the individual interrupt enable flag (EF) and the interrupt processing is started. After the interrupt is processed, the program operation is resumed from the instruction following the instruction, which starts IDLE1/2 and SLEEP1/2 modes.

Note: When a watchdog timer interrupts is generated immediately before IDLE1/2 and SLEEP1/2 modes are started, the watchdog timer interrupt will be processed but IDLE1/2 and SLEEP1/2 modes will not be started.

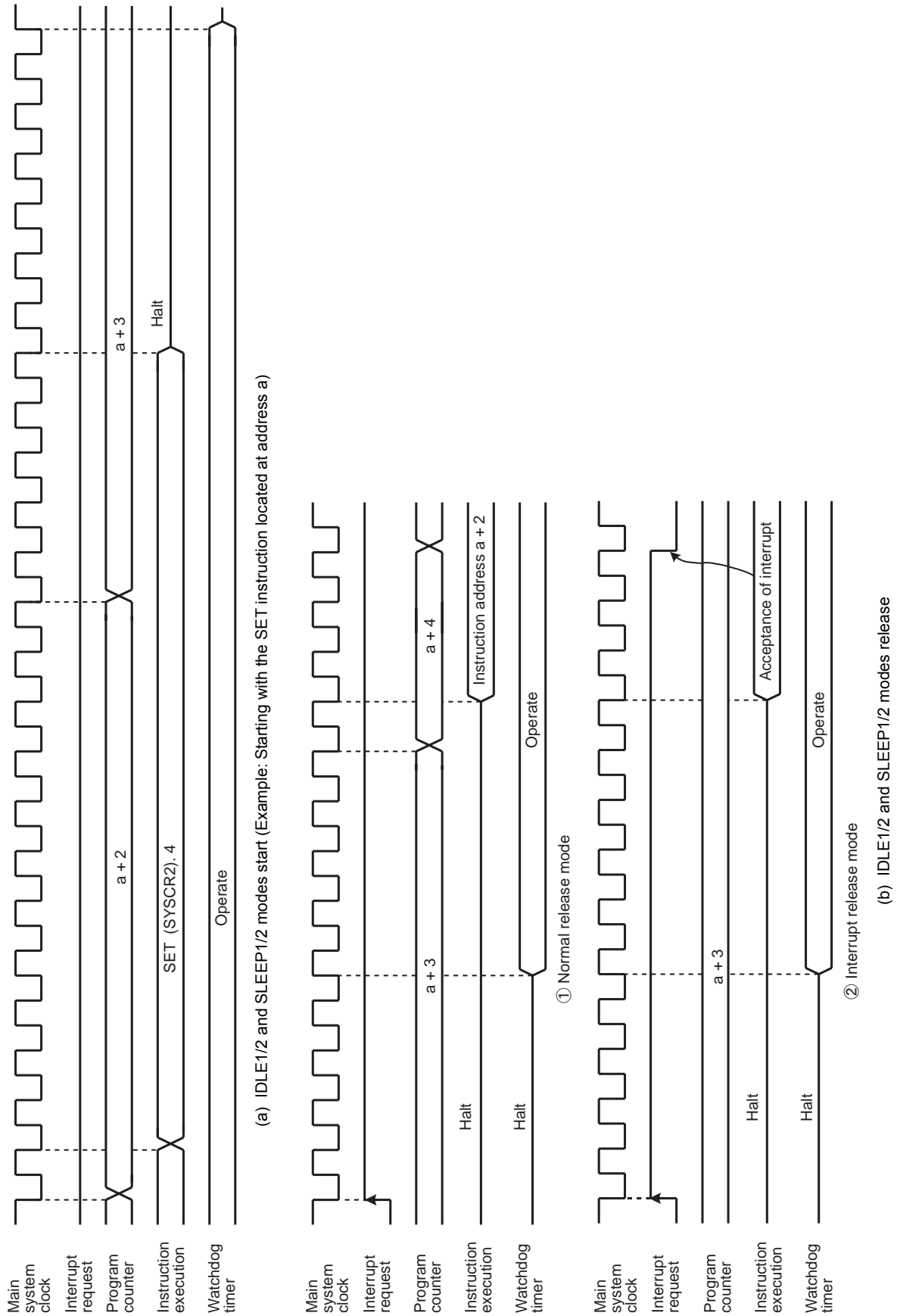


Figure 2-11 IDLE1/2 and SLEEP1/2 Modes Start/Release

2.2.4.3 IDLE0 and SLEEP0 modes (IDLE0, SLEEP0)

IDLE0 and SLEEP0 modes are controlled by the system control register 2 (SYSCR2) and the time base timer control register (TBTCCR). The following status is maintained during IDLE0 and SLEEP0 modes.

1. Timing generator stops feeding clock to peripherals except TBT.
2. The data memory, CPU registers, program status word and port output latches are all held in the status in effect before IDLE0 and SLEEP0 modes were entered.
3. The program counter holds the address 2 ahead of the instruction which starts IDLE0 and SLEEP0 modes.

Note: Before starting IDLE0 or SLEEP0 mode, be sure to stop (Disable) peripherals.

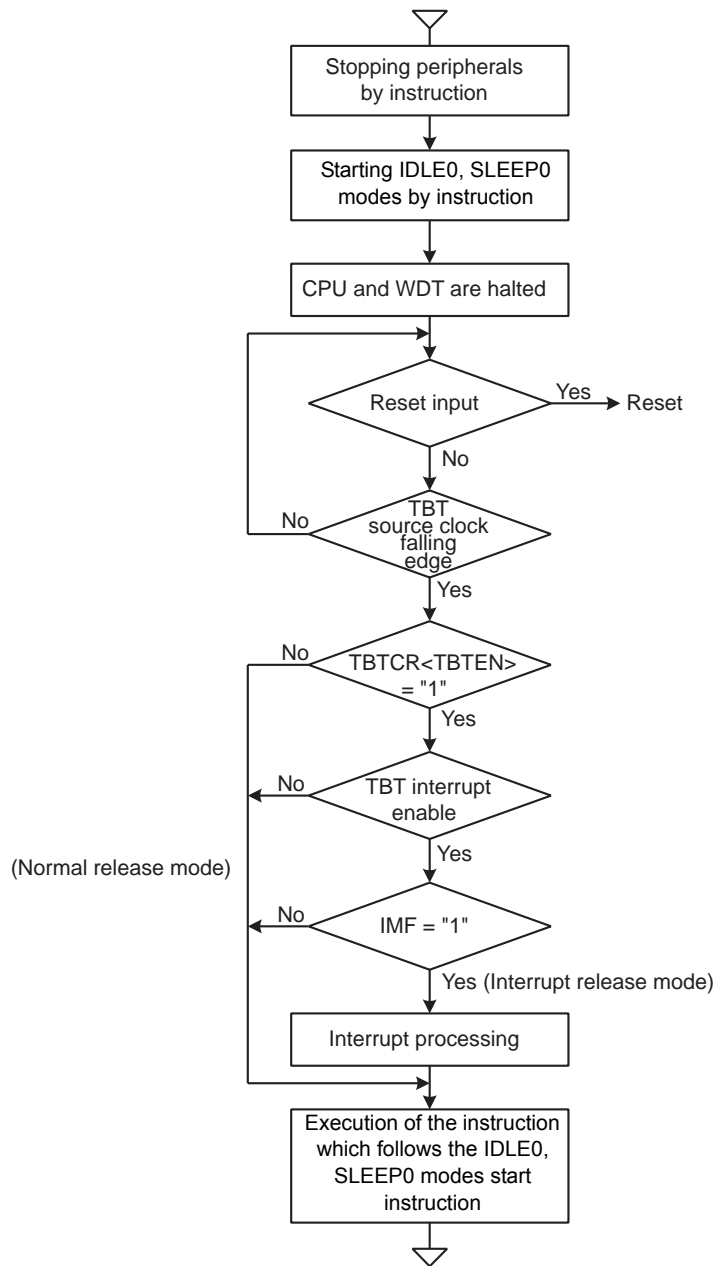


Figure 2-12 IDLE0 and SLEEP0 Modes

- Start the IDLE0 and SLEEP0 modes

Stop (Disable) peripherals such as a timer counter.

To start IDLE0 and SLEEP0 modes, set SYSCR2<TGHALT> to “1”.

- Release the IDLE0 and SLEEP0 modes

IDLE0 and SLEEP0 modes include a normal release mode and an interrupt release mode.

These modes are selected by interrupt master flag (IMF), the individual interrupt enable flag of TBT and TBTCR<TBTEN>.

After releasing IDLE0 and SLEEP0 modes, the SYSCR2<TGHALT> is automatically cleared to “0” and the operation mode is returned to the mode preceding IDLE0 and SLEEP0 modes. Before starting the IDLE0 or SLEEP0 mode, when the TBTCR<TBTEN> is set to “1”, INTTBT interrupt latch is set to “1”.

IDLE0 and SLEEP0 modes can also be released by inputting low level on the  $\overline{\text{RESET}}$  pin. After releasing reset, the operation mode is started from NORMAL1 mode.

Note: IDLE0 and SLEEP0 modes start/release without reference to TBTCR<TBTEN> setting.

- (1) Normal release mode (IMF•EF6•TBTCR<TBTEN> = “0”)

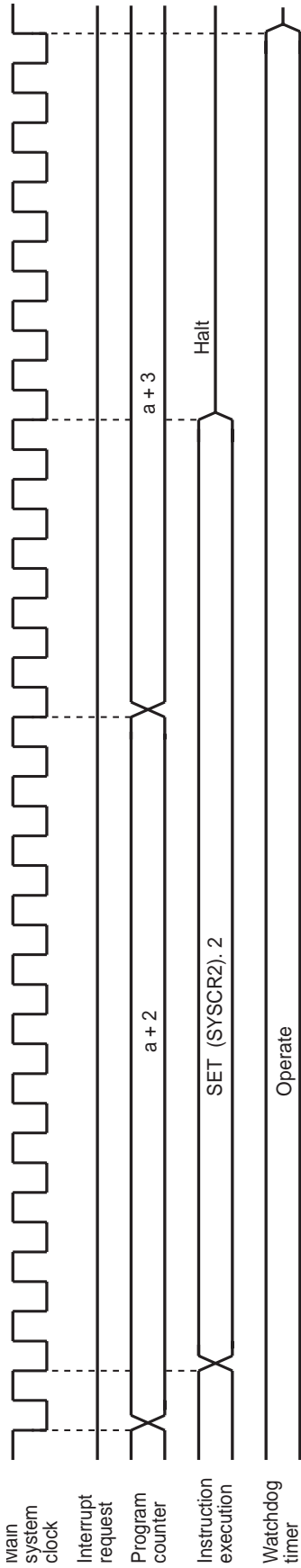
IDLE0 and SLEEP0 modes are released by the source clock falling edge, which is setting by the TBTCR<TBTCK>. After the falling edge is detected, the program operation is resumed from the instruction following the IDLE0 and SLEEP0 modes start instruction. Before starting the IDLE0 or SLEEP0 mode, when the TBTCR<TBTEN> is set to “1”, INTTBT interrupt latch is set to “1”.

- (2) Interrupt release mode (IMF•EF6•TBTCR<TBTEN> = “1”)

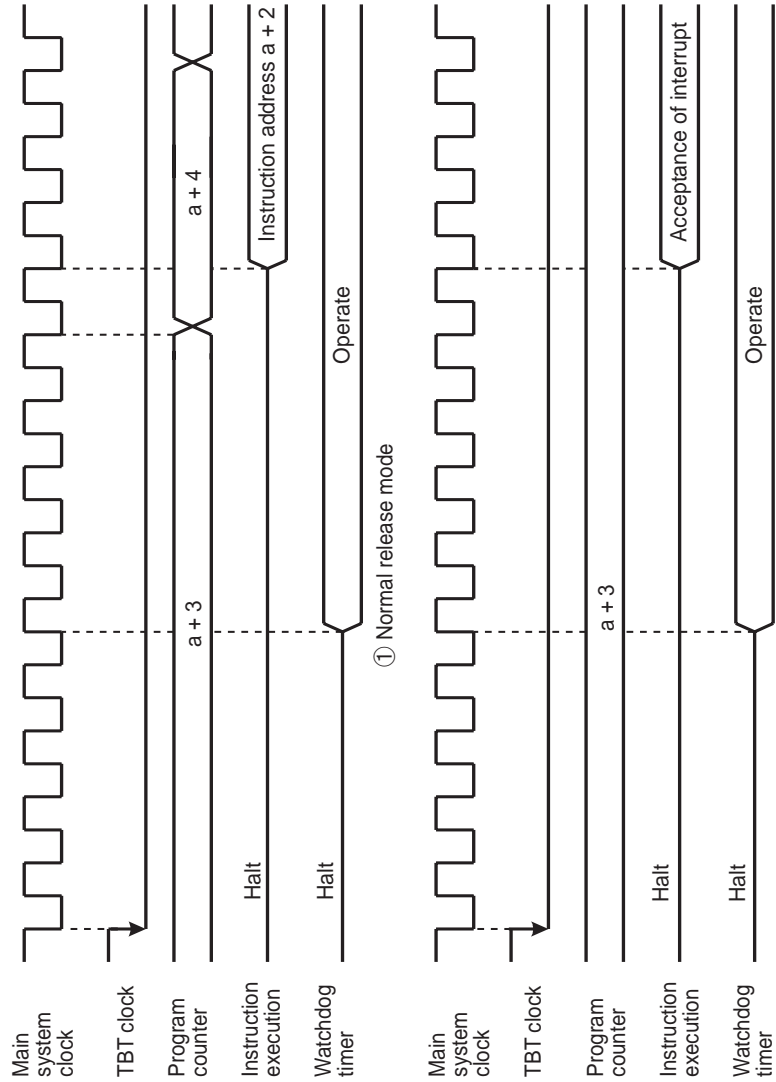
IDLE0 and SLEEP0 modes are released by the source clock falling edge, which is setting by the TBTCR<TBTCK> and INTTBT interrupt processing is started.

Note 1: Because returning from IDLE0, SLEEP0 to NORMAL1, SLOW1 is executed by the asynchronous internal clock, the period of IDLE0, SLEEP0 mode might be the shorter than the period setting by TBTCR<TBTCK>.

Note 2: When a watchdog timer interrupt is generated immediately before IDLE0/SLEEP0 mode is started, the watchdog timer interrupt will be processed but IDLE0/SLEEP0 mode will not be started.



(a) IDLE0 and SLEEP0 modes start (Example: Starting with the SET instruction located at address a



(b) IDLE and SLEEP0 modes release

Figure 2-13 IDLE0 and SLEEP0 Modes Start/Release

### 2.2.4.4 SLOW mode

SLOW mode is controlled by the system control register 2 (SYSCR2).

The following is the methods to switch the mode with the warm-up counter.

#### (1) Switching from NORMAL2 mode to SLOW1 mode

First, set SYSCR2<SYSCK> to switch the main system clock to the low-frequency clock for SLOW2 mode. Next, clear SYSCR2<XEN> to turn off high-frequency oscillation.

Note: The high-frequency clock can be continued oscillation in order to return to NORMAL2 mode from SLOW mode quickly. Always turn off oscillation of high-frequency clock when switching from SLOW mode to stop mode.

Example 1 :Switching from NORMAL2 mode to SLOW1 mode.

```

SET      (SYSCR2). 5      ; SYSCR2<SYSCK> ← 1
                               (Switches the main system clock to the low-frequency
                               clock for SLOW2)

CLR      (SYSCR2). 7      ; SYSCR2<XEN> ← 0
                               (Turns off high-frequency oscillation)

```

Example 2 :Switching to the SLOW1 mode after low-frequency clock has stabilized.

```

SET      (SYSCR2). 6      ; SYSCR2<XTEN> ← 1

LD       (TC5CR), 43H     ; Sets mode for TC6, 5 (16-bit mode, fs for source)

LD       (TC6CR), 05H     ; Sets warming-up counter mode

LDW     (TTREG5), 8000H   ; Sets warm-up time (Depend on oscillator accompanied)

DI                               ; IMF ← 0

SET      (EIRH). 5        ; Enables INTTC6

EI                               ; IMF ← 1

SET      (TC6CR). 3       ; Starts TC6, 5

:

PINTTC6: CLR      (TC6CR). 3       ; Stops TC6, 5

SET      (SYSCR2). 5      ; SYSCR2<SYSCK> ← 1
                               (Switches the main system clock to the low-frequency clock)

CLR      (SYSCR2). 7      ; SYSCR2<XEN> ← 0
                               (Turns off high-frequency oscillation)

RETI

:

VINTTC6: DW       PINTTC6      ; INTTC6 vector table

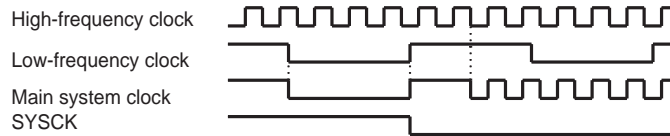
```

(2) Switching from SLOW1 mode to NORMAL2 mode

First, set SYSCR2<XEN> to turn on the high-frequency oscillation. When time for stabilization (Warm up) has been taken by the timer/counter (TC6,TC5), clear SYSCR2<SYSCK> to switch the main system clock to the high-frequency clock.

SLOW mode can also be released by inputting low level on the  $\overline{\text{RESET}}$  pin. After releasing reset, the operation mode is started from NORMAL1 mode.

Note: After SYSCK is cleared to "0", executing the instructions is continued by the low-frequency clock for the period synchronized with low-frequency and high-frequency clocks.



Example :Switching from the SLOW1 mode to the NORMAL2 mode (fc = 16 MHz, warm-up time is 4.0 ms).

```

SET      (SYSCR2). 7      ; SYSCR2<XEN> ← 1 (Starts high-frequency oscillation)

LD       (TC5CR), 63H    ; Sets mode for TC6, 5 (16-bit mode, fc for source)

LD       (TC6CR), 05H    ; Sets warming-up counter mode

LD       (TTREG6), 0F8H  ; Sets warm-up time

DI       ; IMF ← 0

SET      (EIRH). 5      ; Enables INTTC6

EI       ; IMF ← 1

SET      (TC6CR). 3      ; Starts TC6, 5

:

PINTTC6: CLR      (TC6CR). 3      ; Stops TC6, 5

CLR      (SYSCR2). 5      ; SYSCR2<SYSCK> ← 0
                          ; (Switches the main system clock to the high-frequency clock)

RETI

:

VINTTC6: DW       PINTTC6      ; INTTC6 vector table
    
```

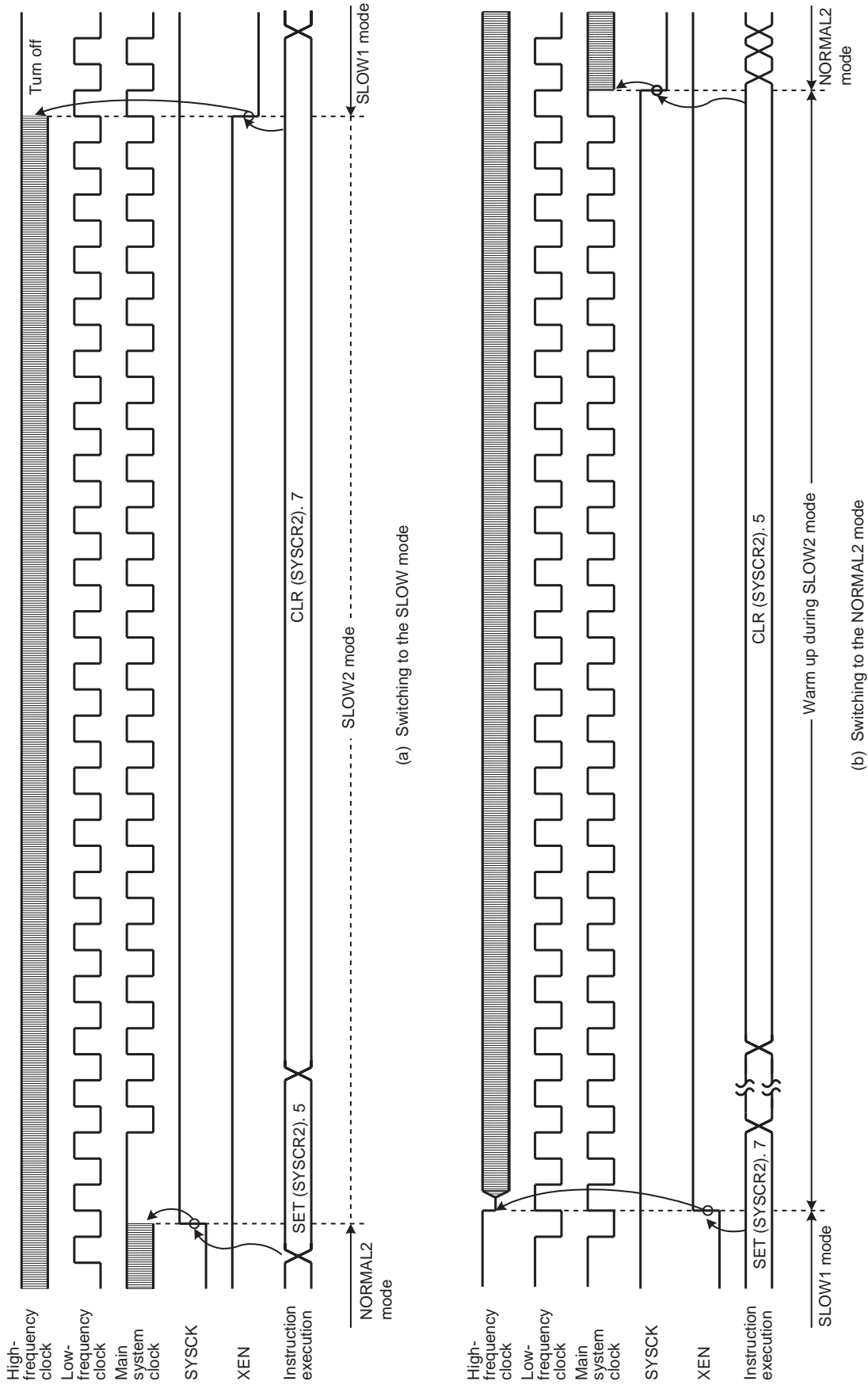


Figure 2-14 Switching between the NORMAL2 and SLOW Modes



## 2.3 Reset Circuit

The TMP86CH22UG has four types of reset generation procedures: An external reset input, an address trap reset, a watchdog timer reset and a system clock reset. Of these reset, the address trap reset, the watchdog timer and the system clock reset are a malfunction reset. When the malfunction reset request is detected, reset occurs during the maximum  $24/f_c[s]$ .

The malfunction reset circuit such as watchdog timer reset, address trap reset and system clock reset is not initialized when power is turned on. Therefore, reset may occur during maximum  $24/f_c[s]$  ( $1.5\mu s$  at 16.0 MHz) when power is turned on.

Table 2-3 shows on-chip hardware initialization by reset action.

Table 2-3 Initializing Internal Status by Reset Action

| On-chip Hardware   | Initial Value   | On-chip Hardware                          | Initial Value                     |
|--|-----------------|---|-----------------------------------|
| Program counter (PC)                                       | (FFFEH)         | Prescaler and divider of timing generator | 0                                 |
| Stack pointer (SP)   | Not initialized |   |                                   |
| General-purpose registers (W, A, B, C, D, E, H, L, IX, IY) | Not initialized |   |                                   |
| Jump status flag (JF)                                      | Not initialized | Watchdog timer                            | Enable                            |
| Zero flag (ZF)   | Not initialized | Output latches of I/O ports               | Refer to I/O port circuitry       |
| Carry flag (CF)  | Not initialized |   |                                   |
| Half carry flag (HF)                                       | Not initialized |   |                                   |
| Sign flag (SF)   | Not initialized |   |                                   |
| Overflow flag (VF)   | Not initialized |   |                                   |
| Interrupt master enable flag (IMF)                         | 0               |   |                                   |
| Interrupt individual enable flags (EF)                     | 0               | Control registers                         | Refer to each of control register |
| Interrupt latches (IL)                                     | 0               |   |                                   |
|  |                 | LCD data buffer                           | Not initialized                   |
|  |                 | RAM                                       | Not initialized                   |

### 2.3.1 External Reset Input

The  $\overline{\text{RESET}}$  pin contains a Schmitt trigger (Hysteresis) with an internal pull-up resistor.

When the  $\overline{\text{RESET}}$  pin is held at “L” level for at least 3 machine cycles ( $12/f_c [s]$ ) with the power supply voltage within the operating voltage range and oscillation stable, a reset is applied and the internal state is initialized.

When the  $\overline{\text{RESET}}$  pin input goes high, the reset operation is released and the program execution starts at the vector address stored at addresses FFFEh to FFFFh.

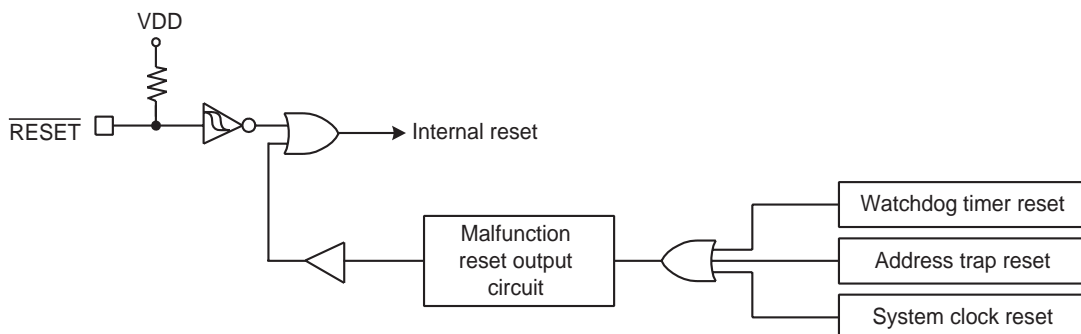
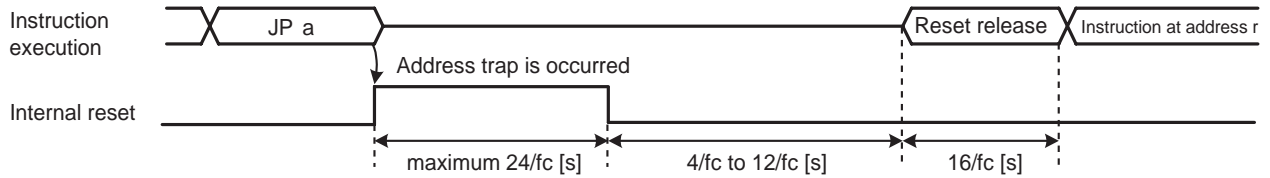


Figure 2-15 Reset Circuit

### 2.3.2 Address trap reset

If the CPU should start looping for some cause such as noise and an attempt be made to fetch an instruction from the on-chip RAM (when WDTTCR1<ATAS> is set to “1”), DBR or the SFR area, address trap reset will be generated. The reset time is maximum  $24/f_c$  [s] ( $1.5\mu\text{s}$  at 16.0 MHz).

Note: The operating mode under address trapped is alternative of reset or interrupt. The address trap area is alternative.



Note 1: Address “a” is in the SFR, DBR or on-chip RAM (WDTTCR1<ATAS> = “1”) space.

Note 2: During reset release, reset vector “r” is read out, and an instruction at address “r” is fetched and decoded.

Figure 2-16 Address Trap Reset

### 2.3.3 Watchdog timer reset

Refer to Section “Watchdog Timer”.

### 2.3.4 System clock reset

If the condition as follows is detected, the system clock reset occurs automatically to prevent dead lock of the CPU. (The oscillation is continued without stopping.)

- In case of clearing SYSCR2<XEN> and SYSCR2<XTEN> simultaneously to “0”.
- In case of clearing SYSCR2<XEN> to “0”, when the SYSCR2<SYSCK> is “0”.
- In case of clearing SYSCR2<XTEN> to “0”, when the SYSCR2<SYSCK> is “1”.

The reset time is maximum  $24/f_c$  ( $1.5\mu\text{s}$  at 16.0 MHz).





### 3. Interrupt Control Circuit

The TMP86CH22UG has a total of 18 interrupt sources excluding reset. Interrupts can be nested with priorities. Four of the internal interrupt sources are non-maskable while the rest are maskable.

Interrupt sources are provided with interrupt latches (IL), which hold interrupt requests, and independent vectors. The interrupt latch is set to “1” by the generation of its interrupt request which requests the CPU to accept its interrupts. Interrupts are enabled or disabled by software using the interrupt master enable flag (IMF) and interrupt enable flag (EF). If more than one interrupts are generated simultaneously, interrupts are accepted in order which is dominated by hardware. However, there are no prioritized interrupt factors among non-maskable interrupts.

| Interrupt Factors |   | Enable Condition         | Interrupt Latch | Vector Address | Priority |
|-------------------|---|--------------------------|-----------------|----------------|----------|
| Internal/External | (Reset)   | Non-maskable             | –               | FFFE           | 1        |
| Internal          | INTSWI (Software interrupt)                             | Non-maskable             | –               | FFFC           | 2        |
| Internal          | INTUNDEF (Executed the undefined instruction interrupt) | Non-maskable             | –               | FFFC           | 2        |
| Internal          | INTATRAP (Address trap interrupt)                       | Non-maskable             | IL2             | FFFA           | 2        |
| Internal          | INTWDT (Watchdog timer interrupt)                       | Non-maskable             | IL3             | FFF8           | 2        |
| External          | $\overline{INT0}$                                       | IMF• EF4 = 1, INTOEN = 1 | IL4             | FFF6           | 5        |
| External          | INT1  | IMF• EF5 = 1             | IL5             | FFF4           | 6        |
| Internal          | INTTBT  | IMF• EF6 = 1             | IL6             | FFF2           | 7        |
| Internal          | INTTC1  | IMF• EF7 = 1             | IL7             | FFF0           | 8        |
| Internal          | INTSIO  | IMF• EF8 = 1             | IL8             | FFEE           | 9        |
| External          | INT2  | IMF• EF9 = 1             | IL9             | FFEC           | 10       |
| Internal          | INTRXD  | IMF• EF10 = 1            | IL10            | FFEA           | 11       |
| Internal          | INTTXD  | IMF• EF11 = 1            | IL11            | FFE8           | 12       |
| -                 | Reserved  | IMF• EF12 = 1            | IL12            | FFE6           | 13       |
| Internal          | INTTC6  | IMF• EF13 = 1            | IL13            | FFE4           | 14       |
| Internal          | INTRTC  | IMF• EF14 = 1            | IL14            | FFE2           | 15       |
| Internal          | INTADC  | IMF• EF15 = 1            | IL15            | FFE0           | 16       |
| -                 | Reserved  | IMF• EF16 = 1            | IL16            | FFBE           | 17       |
| External          | INT3  | IMF• EF17 = 1            | IL17            | FFBC           | 18       |
| Internal          | INTTC5  | IMF• EF18 = 1            | IL18            | FFBA           | 19       |
| External          | $\overline{INT5}$                                       | IMF• EF19 = 1            | IL19            | FFB8           | 20       |
| -                 | Reserved  | IMF• EF20 = 1            | IL20            | FFB6           | 21       |
| -                 | Reserved  | IMF• EF21 = 1            | IL21            | FFB4           | 22       |
| -                 | Reserved  | IMF• EF22 = 1            | IL22            | FFB2           | 23       |
| -                 | Reserved  | IMF• EF23 = 1            | IL23            | FFB0           | 24       |

Note 1: To use the address trap interrupt (INTATRAP), clear WDTTCR1<ATOUT> to “0” (It is set for the “reset request” after reset is cancelled). For details, see “Address Trap”.

Note 2: To use the watchdog timer interrupt (INTWDT), clear WDTTCR1<WDTOUT> to “0” (It is set for the “Reset request” after reset is released). For details, see “Watchdog Timer”.

Note 3: If an INTADC interrupt request is generated while an interrupt with priority lower than the interrupt latch IL15 (INTADC) is being accepted, the INTADC interrupt latch may be cleared without the INTADC interrupt being processed. For details, refer to the corresponding notes in the chapter on the AD converter.

#### 3.1 Interrupt latches (IL19 to IL2)

An interrupt latch is provided for each interrupt source, except for a software interrupt and an executed the undefined instruction interrupt. When interrupt request is generated, the latch is set to “1”, and the CPU is requested to accept the interrupt if its interrupt is enabled. The interrupt latch is cleared to “0” immediately after accepting interrupt. All interrupt latches are initialized to “0” during reset.

The interrupt latches are located on address 002EH, 003CH and 003DH in SFR area. Each latch can be cleared to "0" individually by instruction. However, IL2 and IL3 should not be cleared to "0" by software. For clearing the interrupt latch, load instruction should be used and then IL2 and IL3 should be set to "1". If the read-modify-write instructions such as bit manipulation or operation instructions are used, interrupt request would be cleared inadequately if interrupt is requested while such instructions are executed.

Interrupt latches are not set to "1" by an instruction.

Since interrupt latches can be read, the status for interrupt requests can be monitored by software.

Note: In main program, before manipulating the interrupt enable flag (EF) or the interrupt latch (IL), be sure to clear IMF to "0" (Disable interrupt by DI instruction). Then set IMF newly again as required after operating on the EF or IL (Enable interrupt by EI instruction)  
In interrupt service routine, because the IMF becomes "0" automatically, clearing IMF need not execute normally on interrupt service routine. However, if using multiple interrupt on interrupt service routine, manipulating EF or IL should be executed before setting IMF="1".

Example 1 :Clears interrupt latches

```
DI                ; IMF ← 0
LDW      (ILL), 1110100000111111B ; IL12, IL10 to IL6 ← 0
EI                ; IMF ← 1
```

Example 2 :Reads interrupt latches

```
LD      WA, (ILL) ; W ← ILH, A ← ILL
```

Example 3 :Tests interrupt latches

```
TEST      (ILL), 7 ; if IL7 = 1 then jump
JR      F, SSET
```

## 3.2 Interrupt enable register (EIR)

The interrupt enable register (EIR) enables and disables the acceptance of interrupts, except for the non-maskable interrupts (Software interrupt, undefined instruction interrupt, address trap interrupt and watchdog interrupt). Non-maskable interrupt is accepted regardless of the contents of the EIR.

The EIR consists of an interrupt master enable flag (IMF) and the individual interrupt enable flags (EF). These registers are located on address 002CH, 003AH and 003BH in SFR area, and they can be read and written by an instructions (Including read-modify-write instructions such as bit manipulation or operation instructions).

### 3.2.1 Interrupt master enable flag (IMF)

The interrupt enable register (IMF) enables and disables the acceptance of the whole maskable interrupt. While IMF = "0", all maskable interrupts are not accepted regardless of the status on each individual interrupt enable flag (EF). By setting IMF to "1", the interrupt becomes acceptable if the individuals are enabled. When an interrupt is accepted, IMF is cleared to "0" after the latest status on IMF is stacked. Thus the maskable interrupts which follow are disabled. By executing return interrupt instruction [RETI/RETN], the stacked data, which was the status before interrupt acceptance, is loaded on IMF again.

The IMF is located on bit0 in EIRL (Address: 003AH in SFR), and can be read and written by an instruction. The IMF is normally set and cleared by [EI] and [DI] instruction respectively. During reset, the IMF is initialized to "0".

### 3.2.2 Individual interrupt enable flags (EF19 to EF4)

Each of these flags enables and disables the acceptance of its maskable interrupt. Setting the corresponding bit of an individual interrupt enable flag to “1” enables acceptance of its interrupt, and setting the bit to “0” disables acceptance. During reset, all the individual interrupt enable flags (EF19 to EF4) are initialized to “0” and all maskable interrupts are not accepted until they are set to “1”.

Note: In main program, before manipulating the interrupt enable flag (EF) or the interrupt latch (IL), be sure to clear IMF to "0" (Disable interrupt by DI instruction). Then set IMF newly again as required after operating on the EF or IL (Enable interrupt by EI instruction)  
 In interrupt service routine, because the IMF becomes "0" automatically, clearing IMF need not execute normally on interrupt service routine. However, if using multiple interrupt on interrupt service routine, manipulating EF or IL should be executed before setting IMF="1".

Example 1 :Enables interrupts individually and sets IMF

```

DI                                     ; IMF ← 0

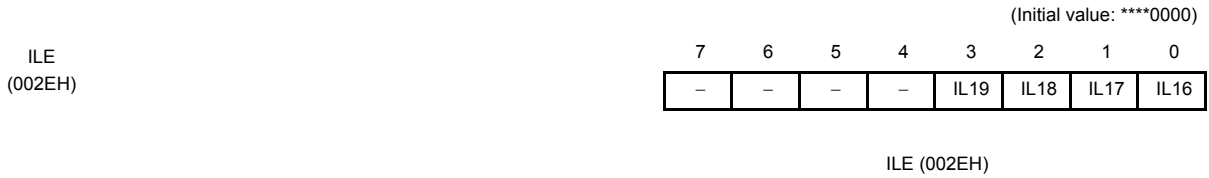
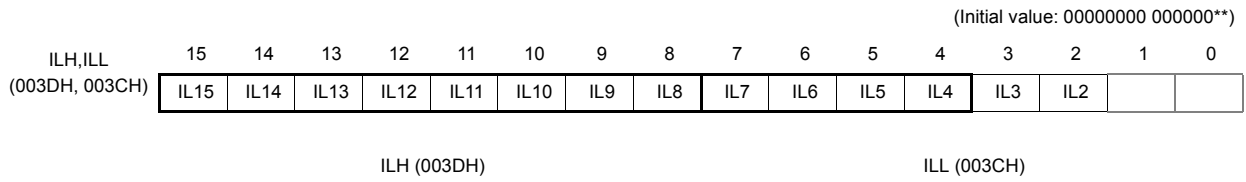
LDW      (EIRL), 1110100010100000B    ; EF15 to EF13, EF11, EF7, EF5 ← 1
:                                         Note: IMF should not be set.
:
EI                                     ; IMF ← 1
    
```

Example 2 :C compiler description example

```

unsigned int _io (3AH) EIRL;           /* 3AH shows EIRL address */
_DI();
EIRL = 10100000B;
:
_EI();
    
```

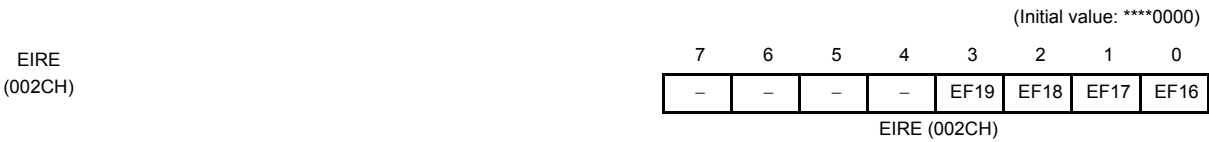
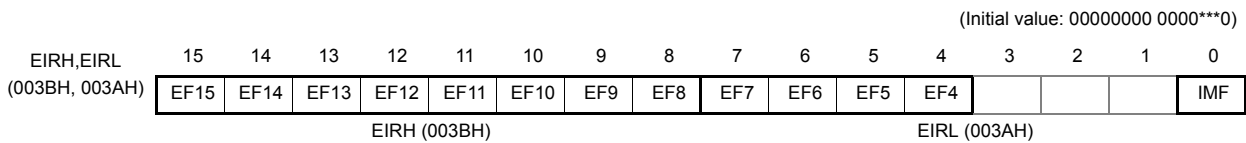
Interrupt Latches



|             |                   |  |  |     |
|-------------|-------------------|--|--|-----|
| IL19 to IL2 | Interrupt latches | at RD<br>0: No interrupt request<br>1: Interrupt request | at WR<br>0: Clears the interrupt request<br>1: (Interrupt latch is not set.) | R/W |
|-------------|-------------------|--|--|-----|

- Note 1: To clear any one of bits IL7 to IL4, be sure to write "1" into IL2 and IL3.
- Note 2: In main program, before manipulating the interrupt enable flag (EF) or the interrupt latch (IL), be sure to clear IMF to "0" (Disable interrupt by DI instruction). Then set IMF newly again as required after operating on the EF or IL (Enable interrupt by EI instruction)  
 In interrupt service routine, because the IMF becomes "0" automatically, clearing IMF need not execute normally on interrupt service routine. However, if using multiple interrupt on interrupt service routine, manipulating EF or IL should be executed before setting IMF="1".
- Note 3: Do not clear IL with read-modify-write instructions such as bit operations.

Interrupt Enable Registers



|             |  |   |     |
|-------------|--|---|-----|
| EF19 to EF4 | Individual-interrupt enable flag<br>(Specified for each bit) | 0: Disables the acceptance of each maskable interrupt.<br>1: Enables the acceptance of each maskable interrupt. | R/W |
| IMF         | Interrupt master enable flag                                 | 0: Disables the acceptance of all maskable interrupts<br>1: Enables the acceptance of all maskable interrupts   |     |

- Note 1: \*: Don't care
- Note 2: Do not set IMF and the interrupt enable flag (EF15 to EF4) to "1" at the same time.
- Note 3: In main program, before manipulating the interrupt enable flag (EF) or the interrupt latch (IL), be sure to clear IMF to "0" (Disable interrupt by DI instruction). Then set IMF newly again as required after operating on the EF or IL (Enable interrupt by EI instruction)  
 In interrupt service routine, because the IMF becomes "0" automatically, clearing IMF need not execute normally on interrupt service routine. However, if using multiple interrupt on interrupt service routine, manipulating EF or IL should be executed before setting IMF="1".



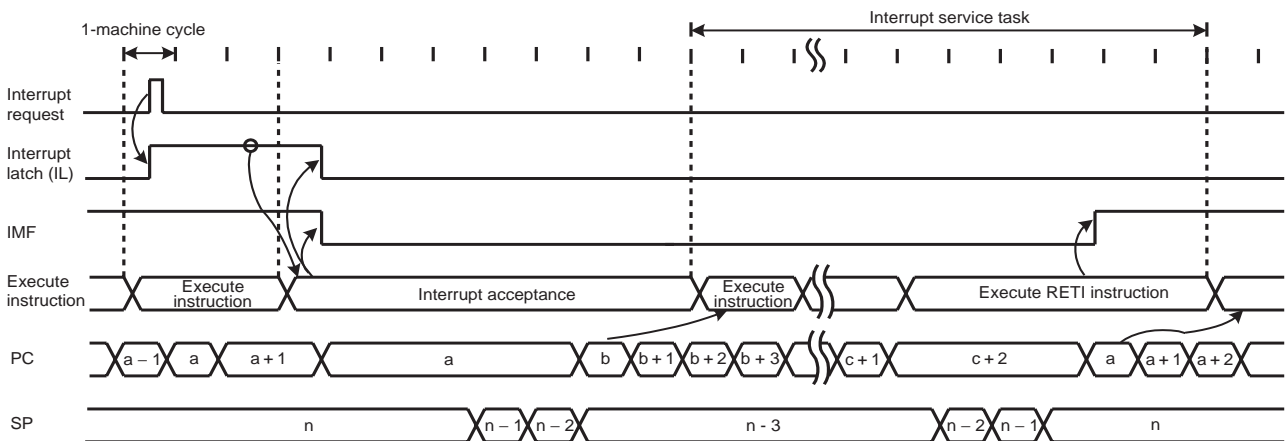
### 3.3 Interrupt Sequence

An interrupt request, which raised interrupt latch, is held, until interrupt is accepted or interrupt latch is cleared to “0” by resetting or an instruction. Interrupt acceptance sequence requires 8 machine cycles (2 μs @16 MHz) after the completion of the current instruction. The interrupt service task terminates upon execution of an interrupt return instruction [RETI] (for maskable interrupts) or [RETN] (for non-maskable interrupts). Figure 3-1 shows the timing chart of interrupt acceptance processing.

#### 3.3.1 Interrupt acceptance processing is packaged as follows.

- The interrupt master enable flag (IMF) is cleared to “0” in order to disable the acceptance of any following interrupt.
- The interrupt latch (IL) for the interrupt source accepted is cleared to “0”.
- The contents of the program counter (PC) and the program status word, including the interrupt master enable flag (IMF), are saved (Pushed) on the stack in sequence of PSW + IMF, PCH, PCL. Meanwhile, the stack pointer (SP) is decremented by 3.
- The entry address (Interrupt vector) of the corresponding interrupt service program, loaded on the vector table, is transferred to the program counter.
- The instruction stored at the entry address of the interrupt service program is executed.

Note: When the contents of PSW are saved on the stack, the contents of IMF are also saved.



Note 1: a: Return address entry address, b: Entry address, c: Address which RETI instruction is stored

Note 2: On condition that interrupt is enabled, it takes 38/fc [s] or 38/fs [s] at maximum (If the interrupt latch is set at the first machine cycle on 10 cycle instruction) to start interrupt acceptance processing since its interrupt latch is set.

Figure 3-1 Timing Chart of Interrupt Acceptance/Return Interrupt Instruction

Example: Correspondence between vector table address for INTTBT and the entry address of the interrupt service program

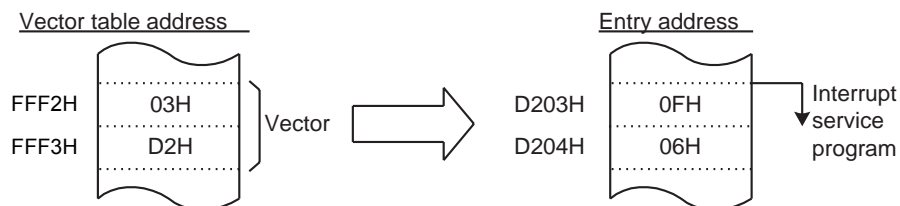


Figure 3-2 Vector table address,Entry address

A maskable interrupt is not accepted until the IMF is set to “1” even if the maskable interrupt higher than the level of current servicing interrupt is requested.

In order to utilize nested interrupt service, the IMF is set to “1” in the interrupt service program. In this case, acceptable interrupt sources are selectively enabled by the individual interrupt enable flags.

To avoid overloaded nesting, clear the individual interrupt enable flag whose interrupt is currently serviced, before setting IMF to “1”. As for non-maskable interrupt, keep interrupt service shorten compared with length between interrupt requests; otherwise the status cannot be recovered as non-maskable interrupt would simply nested.

### 3.3.2 Saving/restoring general-purpose registers

During interrupt acceptance processing, the program counter (PC) and the program status word (PSW, includes IMF) are automatically saved on the stack, but the accumulator and others are not. These registers are saved by software if necessary. When multiple interrupt services are nested, it is also necessary to avoid using the same data memory area for saving registers. The following methods are used to save/restore the general-purpose registers.

#### 3.3.2.1 Using PUSH and POP instructions

If only a specific register is saved or interrupts of the same source are nested, general-purpose registers can be saved/restored using the PUSH/POP instructions.

Example :Save/store register using PUSH and POP instructions

```

PINTxx:    PUSH    WA           ; Save WA register
           (interrupt processing)
           POP     WA           ; Restore WA register
           RETI    ; RETURN
    
```

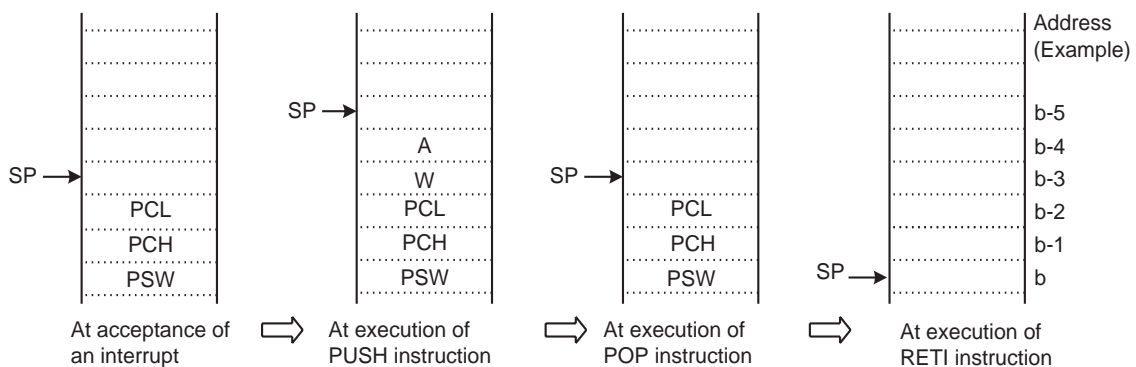


Figure 3-3 Save/store register using PUSH and POP instructions

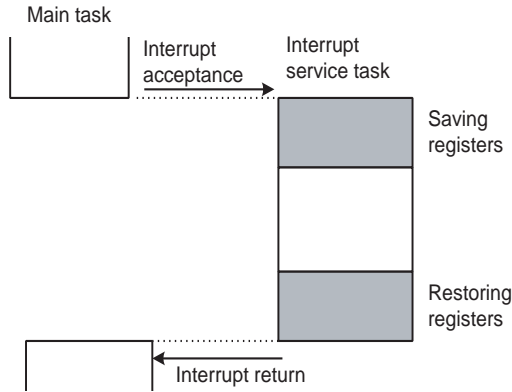
#### 3.3.2.2 Using data transfer instructions

To save only a specific register without nested interrupts, data transfer instructions are available.

Example :Save/store register using data transfer instructions

```

PINTxx:    LD      (GSAVA), A      ; Save A register
           (interrupt processing)
           LD      A, (GSAVA)     ; Restore A register
           RETI                    ; RETURN
    
```



Saving/Restoring general-purpose registers using PUSH/POP data transfer instruction

Figure 3-4 Saving/Restoring General-purpose Registers under Interrupt Processing

### 3.3.3 Interrupt return

Interrupt return instructions [RETI]/[RETN] perform as follows.

| [RETI]/[RETN] Interrupt Return   |
|--|
| 1. Program counter (PC) and program status word (PSW, includes IMF) are restored from the stack. |
| 2. Stack pointer (SP) is incremented by 3.   |

As for address trap interrupt (INTATRAP), it is required to alter stacked data for program counter (PC) to restarting address, during interrupt service program.

Note: If [RETN] is executed with the above data unaltered, the program returns to the address trap area and INTATRAP occurs again. When interrupt acceptance processing has completed, stacked data for PCL and PCH are located on address (SP + 1) and (SP + 2) respectively.

Example 1 :Returning from address trap interrupt (INTATRAP) service program

```

PINTxx:    POP      WA              ; Recover SP by 2
           LD      WA, Return Address ;
           PUSH   WA              ; Alter stacked data
           (interrupt processing)
           RETN                    ; RETURN
    
```

Example 2 :Restarting without returning interrupt  
(In this case, PSW (Includes IMF) before interrupt acceptance is discarded.)

```

PINTxx:      INC      SP      ; Recover SP by 3
              INC      SP      ;
              INC      SP      ;
              (interrupt processing)
              LD      EIRL, data ; Set IMF to "1" or clear it to "0"
              JP      Restart Address ; Jump into restarting address
    
```

Interrupt requests are sampled during the final cycle of the instruction being executed. Thus, the next interrupt can be accepted immediately after the interrupt return instruction is executed.

Note 1: It is recommended that stack pointer be return to rate before INTATRAP (Increment 3 times), if return interrupt instruction [RETN] is not utilized during interrupt service program under INTATRAP (such as Example 2).

Note 2: When the interrupt processing time is longer than the interrupt request generation time, the interrupt service task is performed but not the main task.

## 3.4 Software Interrupt (INTSW)

Executing the SWI instruction generates a software interrupt and immediately starts interrupt processing (INTSW is highest prioritized interrupt).

Use the SWI instruction only for detection of the address error or for debugging.

### 3.4.1 Address error detection

FFH is read if for some cause such as noise the CPU attempts to fetch an instruction from a non-existent memory address during single chip mode. Code FFH is the SWI instruction, so a software interrupt is generated and an address error is detected. The address error detection range can be further expanded by writing FFH to unused areas of the program memory. Address trap reset is generated in case that an instruction is fetched from RAM, DBR or SFR areas.

### 3.4.2 Debugging

Debugging efficiency can be increased by placing the SWI instruction at the software break point setting address.

## 3.5 Undefined Instruction Interrupt (INTUNDEF)

Taking code which is not defined as authorized instruction for instruction causes INTUNDEF. INTUNDEF is generated when the CPU fetches such a code and tries to execute it. INTUNDEF is accepted even if non-maskable interrupt is in process. Contemporary process is broken and INTUNDEF interrupt process starts, soon after it is requested.

Note: The undefined instruction interrupt (INTUNDEF) forces CPU to jump into vector address, as software interrupt (SWI) does.

## 3.6 Address Trap Interrupt (INTATRAP)

Fetching instruction from unauthorized area for instructions (Address trapped area) causes reset output or address trap interrupt (INTATRAP). INTATRAP is accepted even if non-maskable interrupt is in process. Contemporary process is broken and INTATRAP interrupt process starts, soon after it is requested.

Note: The operating mode under address trapped, whether to be reset output or interrupt processing, is selected on watchdog timer control register (WDTCCR).

### 3.7 External Interrupts

The TMP86CH22UG has 5 external interrupt inputs. These inputs are equipped with digital noise reject circuits (Pulse inputs of less than a certain time are eliminated as noise).

Edge selection is also possible with INT1 to INT3. The  $\overline{\text{INT0}}$ /P63 pin can be configured as either an external interrupt input pin or an input/output port, and is configured as an input port during reset.

Edge selection, noise reject control and  $\overline{\text{INT0}}$ /P63 pin function selection are performed by the external interrupt control register (EINTCR).

| Source | Pin                      | Enable Conditions    | Release Edge                      | Digital Noise Reject  |
|--------|--------------------------|----------------------|-----------------------------------|---|
| INT0   | $\overline{\text{INT0}}$ | IMF • EF4 • INTOEN=1 | Falling edge                      | Pulses of less than 2/fc [s] are eliminated as noise. Pulses of 7/fc [s] or more are considered to be signals. In the SLOW or the SLEEP mode, pulses of less than 1/fs [s] are eliminated as noise. Pulses of 3.5/fs [s] or more are considered to be signals.                      |
| INT1   | INT1                     | IMF • EF5 = 1        | Falling edge<br>or<br>Rising edge | Pulses of less than 15/fc or 63/fc [s] are eliminated as noise. Pulses of 49/fc or 193/fc [s] or more are considered to be signals. In the SLOW or the SLEEP mode, pulses of less than 1/fs [s] are eliminated as noise. Pulses of 3.5/fs [s] or more are considered to be signals. |
| INT2   | INT2                     | IMF • EF9 = 1        | Falling edge<br>or<br>Rising edge | Pulses of less than 7/fc [s] are eliminated as noise. Pulses of 25/fc [s] or more are considered to be signals. In the SLOW or the SLEEP mode, pulses of less than 1/fs [s] are eliminated as noise. Pulses of 3.5/fs [s] or more are considered to be signals.                     |
| INT3   | INT3                     | IMF • EF17 = 1       | Falling edge<br>or<br>Rising edge | Pulses of less than 7/fc [s] are eliminated as noise. Pulses of 25/fc [s] or more are considered to be signals. In the SLOW or the SLEEP mode, pulses of less than 1/fs [s] are eliminated as noise. Pulses of 3.5/fs [s] or more are considered to be signals.                     |
| INT5   | $\overline{\text{INT5}}$ | IMF • EF19 = 1       | Falling edge                      | Pulses of less than 2/fc [s] are eliminated as noise. Pulses of 7/fc [s] or more are considered to be signals. In the SLOW or the SLEEP mode, pulses of less than 1/fs [s] are eliminated as noise. Pulses of 3.5/fs [s] or more are considered to be signals.                      |

Note 1: In NORMAL1/2 or IDLE1/2 mode, if a signal with no noise is input on an external interrupt pin, it takes a maximum of "signal establishment time + 6/fs[s]" from the input signal's edge to set the interrupt latch.

Note 2: When INTOEN = "0", IL4 is not set even if a falling edge is detected on the  $\overline{\text{INT0}}$  pin input.

Note 3: When a pin with more than one function is used as an output and a change occurs in data or input/output status, an interrupt request signal is generated in a pseudo manner. In this case, it is necessary to perform appropriate processing such as disabling the interrupt enable flag.

External Interrupt Control Register

|         |        |        |   |   |        |        |        |   |                            |
|---------|--------|--------|---|---|--------|--------|--------|---|----------------------------|
| EINTCR  | 7      | 6      | 5 | 4 | 3      | 2      | 1      | 0 |                            |
| (0037H) | INT1NC | INT0EN | - | - | INT3ES | INT2ES | INT1ES |   | (Initial value: 00** 000*) |

|         |   |  |     |
|---------|---|--|-----|
| INT1NC  | Noise reject time select                        | 0: Pulses of less than $63/f_c$ [s] are eliminated as noise<br>1: Pulses of less than $15/f_c$ [s] are eliminated as noise | R/W |
| INT0EN  | P63/ $\overline{\text{INT0}}$ pin configuration | 0: P63 input/output port<br>1: $\overline{\text{INT0}}$ pin (Port P63 should be set to an input mode)                      | R/W |
| INT3 ES | INT3 edge select                                | 0: Rising edge<br>1: Falling edge  | R/W |
| INT2 ES | INT2 edge select                                | 0: Rising edge<br>1: Falling edge  | R/W |
| INT1 ES | INT1 edge select                                | 0: Rising edge<br>1: Falling edge  | R/W |

Note 1:  $f_c$ : High-frequency clock [Hz], \*: Don't care

Note 2: When the system clock frequency is switched between high and low or when the external interrupt control register (EINTCR) is overwritten, the noise canceller may not operate normally. It is recommended that external interrupts are disabled using the interrupt enable register (EIR).

Note 3: The maximum time from modifying INT1NC until a noise reject time is changed is  $2^6/f_c$ .

## 4. Special Function Register (SFR)

The TMP86CH22UG adopts the memory mapped I/O system, and all peripheral control and data transfers are performed through the special function register (SFR) or the data buffer register (DBR). The SFR is mapped on address 0000H to 003FH, DBR is mapped on address 0F80H to 0FFFH.

This chapter shows the arrangement of the special function register (SFR) and data buffer register (DBR) for TMP86CH22UG.

### 4.1 SFR

| Address | Read     | Write   |
|---------|----------|---------|
| 0000H   | Reserved |         |
| 0001H   | P1DR     |         |
| 0002H   | P2DR     |         |
| 0003H   | P3DR     |         |
| 0004H   | P3OUTCR  |         |
| 0005H   | P5DR     |         |
| 0006H   | P6DR     |         |
| 0007H   | P7DR     |         |
| 0008H   | Reserved |         |
| 0009H   | P1CR     |         |
| 000AH   | P5CR     |         |
| 000BH   | P6CR1    |         |
| 000CH   | P6CR2    |         |
| 000DH   | P7CR     |         |
| 000EH   | ADCCR1   |         |
| 000FH   | ADCCR2   |         |
| 0010H   | TREG1AL  |         |
| 0011H   | TREG1AM  |         |
| 0012H   | TREG1AH  |         |
| 0013H   | TREG1B   |         |
| 0014H   | TC1CR1   |         |
| 0015H   | TC1CR2   |         |
| 0016H   | TC1SR    | -       |
| 0017H   | RTCCR    |         |
| 0018H   | Reserved |         |
| 0019H   | Reserved |         |
| 001AH   | TC5CR    |         |
| 001BH   | TC6CR    |         |
| 001CH   | Reserved |         |
| 001DH   | Reserved |         |
| 001EH   | TTREG5   |         |
| 001FH   | TTREG6   |         |
| 0020H   | ADCDR2   | -       |
| 0021H   | ADCDR1   | -       |
| 0022H   | Reserved |         |
| 0023H   | Reserved |         |
| 0024H   | Reserved |         |
| 0025H   | UARTSR   | UARTCR1 |

| Address | Read | Write    |
|---------|------|----------|
| 0026H   | -    | UARTCR2  |
| 0027H   |      | LDCDR    |
| 0028H   |      | Reserved |
| 0029H   |      | Reserved |
| 002AH   |      | PWREG5   |
| 002BH   |      | PWREG6   |
| 002CH   |      | EIRE     |
| 002DH   |      | Reserved |
| 002EH   |      | ILE      |
| 002FH   |      | Reserved |
| 0030H   |      | Reserved |
| 0031H   |      | Reserved |
| 0032H   |      | Reserved |
| 0033H   |      | Reserved |
| 0034H   | -    | WDTCR1   |
| 0035H   | -    | WDTCR2   |
| 0036H   |      | TBTCR    |
| 0037H   |      | EINTCR   |
| 0038H   |      | SYSCR1   |
| 0039H   |      | SYSCR2   |
| 003AH   |      | EIRL     |
| 003BH   |      | EIRH     |
| 003CH   |      | ILL      |
| 003DH   |      | ILH      |
| 003EH   |      | Reserved |
| 003FH   |      | PSW      |

Note 1: Do not access reserved areas by the program.

Note 2: - ; Cannot be accessed.

Note 3: Write-only registers and interrupt latches cannot use the read-modify-write instructions (Bit manipulation instructions such as SET, CLR, etc. and logical operation instructions such as AND, OR, etc.).



## 4.2 DBR

| Address | Read  | Write    |
|---------|-------|----------|
| 0F80H   |       | Reserved |
| 0F81H   |       | Reserved |
| 0F82H   |       | Reserved |
| 0F83H   |       | Reserved |
| 0F84H   |       | SEG9     |
| 0F85H   |       | SEG11/10 |
| 0F86H   |       | SEG13/12 |
| 0F87H   |       | SEG15/14 |
| 0F88H   |       | SEG17/16 |
| 0F89H   |       | SEG19/18 |
| 0F8AH   |       | SEG21/20 |
| 0F8BH   |       | SEG23/22 |
| 0F8CH   |       | SEG25/24 |
| 0F8DH   |       | SEG27/26 |
| 0F8EH   |       | SEG29/28 |
| 0F8FH   |       | SEG31/30 |
| 0F90H   |       | SIOBR0   |
| 0F91H   |       | SIOBR1   |
| 0F92H   |       | SIOBR2   |
| 0F93H   |       | SIOBR3   |
| 0F94H   |       | SIOBR4   |
| 0F95H   |       | SIOBR5   |
| 0F96H   |       | SIOBR6   |
| 0F97H   |       | SIOBR7   |
| 0F98H   | -     | SIOCR1   |
| 0F99H   | SIOSR | SIOCR2   |
| 0F9AH   | -     | STOPCR   |
| 0F9BH   | RDBUF | TDBUF    |
| 0F9CH   | P2PRD | -        |
| 0F9DH   | P3PRD | -        |
| 0F9EH   |       | P1LCR    |
| 0F9FH   |       | P5LCR    |

| Address | Read | Write    |
|---------|------|----------|
| 0FA0H   |      | P7LCR    |
| 0FA1H   |      | Reserved |
| 0FA2H   |      | Reserved |
| 0FA3H   |      | Reserved |
| 0FA4H   |      | Reserved |
| 0FA5H   |      | Reserved |
| 0FA6H   |      | Reserved |
| 0FA7H   |      | Reserved |
| 0FA8H   |      | Reserved |
| 0FA9H   |      | Reserved |
| 0FAAH   |      | Reserved |
| 0FABH   |      | Reserved |
| 0FACH   |      | Reserved |
| 0FADH   |      | Reserved |
| 0FAEH   |      | Reserved |
| 0FAFH   |      | Reserved |
| 0FB0H   |      | Reserved |
| 0FB1H   |      | Reserved |
| 0FB2H   |      | Reserved |
| 0FB3H   |      | Reserved |
| 0FB4H   |      | Reserved |
| 0FB5H   |      | Reserved |
| 0FB6H   |      | Reserved |
| 0FB7H   |      | Reserved |
| 0FB8H   |      | Reserved |
| 0FB9H   |      | Reserved |
| 0FBAH   |      | Reserved |
| 0FBBH   |      | Reserved |
| 0FBCH   |      | Reserved |
| 0FBDH   |      | Reserved |
| 0FBEH   |      | Reserved |
| 0FBFH   |      | Reserved |

| Address | Read | Write    |
|---------|------|----------|
| 0FC0H   |      | Reserved |
| ::      |      | ::       |
| 0DFH    |      | Reserved |

| Address | Read | Write    |
|---------|------|----------|
| 0FE0H   |      | Reserved |
| ::      |      | ::       |
| 0FFFH   |      | Reserved |

Note 1: Do not access reserved areas by the program.

Note 2: – ; Cannot be accessed.

Note 3: Write-only registers and interrupt latches cannot use the read-modify-write instructions (Bit manipulation instructions such as SET, CLR, etc. and logical operation instructions such as AND, OR, etc.).

## 5. I/O Ports

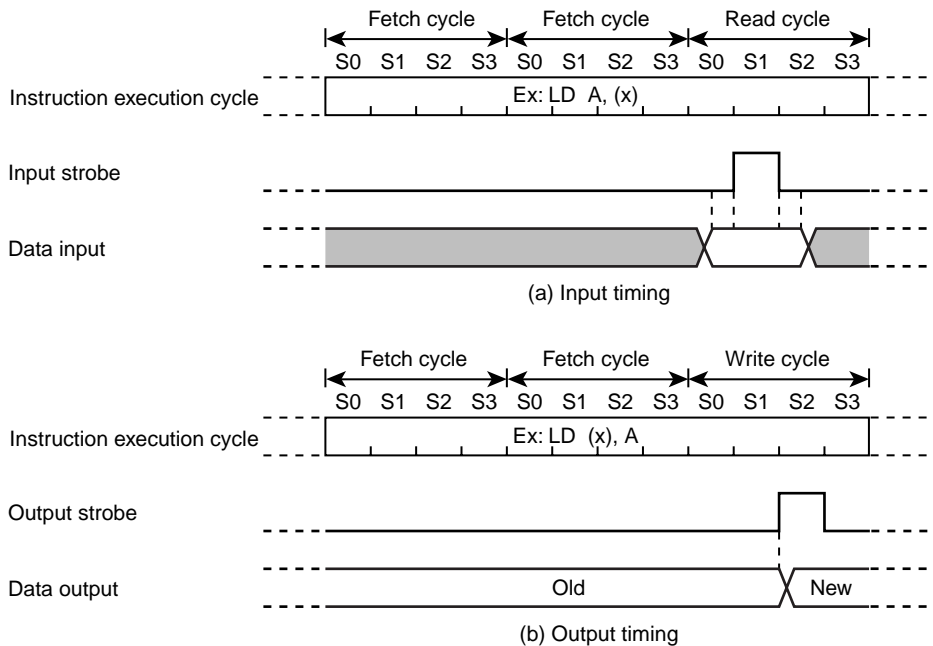
The TMP86CH22UG have 6 parallel input/output ports (33 pins) as follows.

|         | Primary Function                    | Secondary Functions   |
|---------|-------------------------------------|---|
| Port P1 | 8-bit I/O port                      | External interrupt input, UART input/output, serial interface input/output and segment output.  |
| Port P2 | 3-bit I/O port                      | Low-frequency resonator connections, external interrupt input, STOP mode release signal input.  |
| Port P3 | 2-bit I/O port<br>1-bit output port | Timer/counter input/output and divider output.  |
| Port P5 | 8-bit I/O port                      | LCD Segment output.   |
| Port P6 | 4-bit I/O port                      | Analog input, external interrupt input, timer/counter input and STOP mode release signal input. |
| Port P7 | 7-bit I/O port                      | LCD Segment output.   |

Each output port contains a latch, which holds the output data. All input ports do not have latches, so the external input data should be externally held until the input data is read from outside or reading should be performed several timer before processing. Figure 5-1 shows input/output timing examples.

External data is read from an I/O port in the S1 state of the read cycle during execution of the read instruction. This timing cannot be recognized from outside, so that transient input such as chattering must be processed by the program.

Output data changes in the S2 state of the write cycle during execution of the instruction which writes to an I/O port.



Note: The positions of the read and write cycles may vary, depending on the instruction.

Figure 5-1 Input/Output Timing (Example)

## 5.1 Port P1 (P17 to P10)

Port P1 is an 8-bit input/output port which can be configured as an input or an output in one-bit unit. Input/output mode is specified by the P1 control register (P1CR).

During reset, the P1DR, P1CR and P1LCR are initialized to "0".

Port P1 is also used as UART input/output, an external interrupt input, serial interface input/output and segment output of LCD. It is necessary to set registers for using each function. The following table shows register programming for multi function ports. When the port P16 is used, set not only P16 port registers but also P31 port register. Also set not only port P17 registers but also P32 register similarly. Though the TMP86CH22UG do not have P31 and P32 ports, it is necessary to set P3 port registers for keeping software compatibility with TMP86C923XB. For detail, refer to Table 5-2 and Table 5-3 and then refer to description of P3OUTCR and P3DR registers.

Table 5-1 Register programming for P15 to P10

| Function (Port P15 to P10)                                    | Programmed Value |           |            |
|---|------------------|-----------|------------|
|   | P1DR[5:0]        | P1CR[5:0] | P1LCR[5:0] |
| Port input, UART input, SIO input or external interrupt input | *                | "0"       | "0"        |
| Port "0" output   | "0"              | "1"       | "0"        |
| Port "1" output and UART output                               | "1"              | "1"       | "0"        |
| LCD segment output  | *                | *         | "1"        |

Note: Asterisk (\*) indicates "1" or "0" either of which can be selected.

Table 5-2 Register programming for P16

| Function (Port P16) | Programmed Value |         |          |         |                        |
|---------------------|------------------|---------|----------|---------|------------------------|
|                     | P1DR[6]          | P1CR[6] | P1LCR[6] | P3DR[1] | P3OUTCR[1]<br>(SIOEN1) |
| SIO output          | *                | "0"     | "0"      | "1"     | "1"                    |
| Port input          | *                | "0"     | "0"      |         | "0"                    |
| Port "0" output     | "0"              | "1"     | "0"      |         |                        |
| Port "1" output     | "1"              | "1"     | "0"      |         |                        |
| LCD segment output  | *                | *       | "1"      |         |                        |

Note 1: When P16 is used as port output, set in order each registers as follows. If it is not set appropriately, an overcurrent may flow causing damage to the emulation chip (86C923XB).

STEP 1. P3OUTCR<SIOEN1> = "0"

STEP 2. P1LCR[6] = "0"

STEP 3. P1CR[6] = "1"

Note 2: When P16 is used as SO output, set in order each registers as follows. If it is not set appropriately, an overcurrent may flow causing damage to the emulation chip (86C923XB).

STEP 1. P1LCR[6]="0"

STEP 2. P1CR[6]="0"

STEP 3. P3OUTCR<SIOEN1>="1"

Note 3: Asterisk (\*) indicates "1" or "0" either of which can be selected.

Table 5-3 Register programming for P17

| Function (Port P17)     | Programmed Value |         |          |         |                        |
|-------------------------|------------------|---------|----------|---------|------------------------|
|                         | P1DR[7]          | P1CR[7] | P1LCR[7] | P3DR[2] | P3OUTCR[2]<br>(SIOEN2) |
| SIO output              | *                | "0"     | "0"      | "1"     | "1"                    |
| Port input or SIO input | *                | "0"     | "0"      |         | "0"                    |
| Port "0" output         | "0"              | "1"     | "0"      |         |                        |
| Port "1" output         | "1"              | "1"     | "0"      |         |                        |
| LCD segment output      | *                | *       | "1"      |         |                        |

Note 1: When P17 is used as port output, set in order each registers as follows. If it is not set appropriately, an overcurrent may flow causing damage to the emulation chip (86C923XB).

- STEP 1. P3OUTCR<SIOEN2> = "0"
- STEP 2. P1LCR[7] = "0"
- STEP 3. P1CR[7] = "1"

Note 2: When P17 is used as SCK output, set in order each registers as follows. If it is not set appropriately, an overcurrent may flow causing damage to the emulation chip (86C923XB).

- STEP 1. P1LCR[7]="0"
- STEP 2. P1CR[7]="0"
- STEP 3. P3OUTCR<SIOEN2>="1"

Note 3: Asterisk (\*) indicates "1" or "0" either of which can be selected.

Table 5-4 Values Read from P1DR and register programming

| Conditions |       | Values Read from P1DR |
|------------|-------|-----------------------|
| P1CR       | P1LCR |                       |
| "0"        | "0"   | Terminal input data   |
| "0"        | "1"   | "0"                   |
| "1"        | "0"   | Output latch contents |
|            | "1"   |                       |

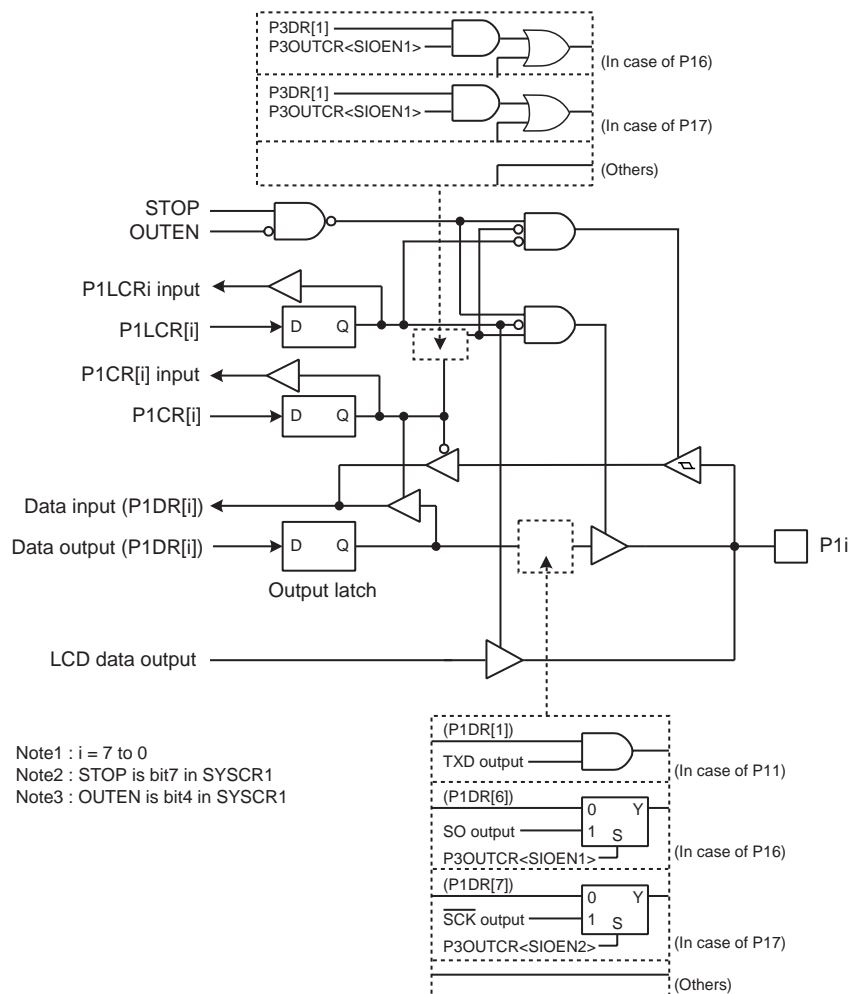


Figure 5-2 Port 1

|                        |                     |                    |                    |                      |                      |                      |                     |                     |                            |
|------------------------|---------------------|--------------------|--------------------|----------------------|----------------------|----------------------|---------------------|---------------------|----------------------------|
| P1DR<br>(0001H)<br>R/W | 7                   | 6                  | 5                  | 4                    | 3                    | 2                    | 1                   | 0                   | (Initial value: 0000 0000) |
|                        | P17<br>SEG24<br>SCK | P16<br>SEG25<br>SO | P15<br>SEG26<br>SI | P14<br>SEG27<br>INT3 | P13<br>SEG28<br>INT2 | P12<br>SEG29<br>INT1 | P11<br>SEG30<br>TXD | P10<br>SEG31<br>RXD |                            |

|                  |   |   |   |   |   |   |   |   |                            |
|------------------|---|---|---|---|---|---|---|---|----------------------------|
| P1LCR<br>(0F9EH) | 7 | 6 | 5 | 4 | 3 | 2 | 1 | 0 | (Initial value: 0000 0000) |
|------------------|---|---|---|---|---|---|---|---|----------------------------|

|       |   |   |     |
|-------|---|---|-----|
| P1LCR | Port P1/segment output control<br>(set for each bit individually) | 0: P1 input/output port or secondary function (except for segment)<br>1: Segment output | R/W |
|-------|---|---|-----|

|                 |   |   |   |   |   |   |   |   |                            |
|-----------------|---|---|---|---|---|---|---|---|----------------------------|
| P1CR<br>(0009H) | 7 | 6 | 5 | 4 | 3 | 2 | 1 | 0 | (Initial value: 0000 0000) |
|-----------------|---|---|---|---|---|---|---|---|----------------------------|

|      |   |  |     |
|------|---|--|-----|
| P1CR | P1 port input/output control<br>(set for each bit individually) | 0: Input mode, SO output or SCK output<br>1: Output mode | R/W |
|------|---|--|-----|

Note 1: When P16 and P17 is used as port output or SIO output, set in order each registers according to notes of Table 5-2 and Table 5-3.

Note 2: The port placed in input mode reads the pin input state. Therefore, when the input and output modes are used together, the output latch (P1DR) contents for the port in input mode might be changed by executing a bit manipulation instruction.

## 5.2 Port P2 (P22 to P20)

Port P2 is a 3-bit input/output port.

It is also used as an external interrupt, a STOP mode release signal input, and low-frequency crystal oscillator connection pins. When used as an input port or a secondary function pins, respective output latch (P2DR) should be set to “1”.

During reset, the output latch is initialized to “1”.

A low-frequency crystal oscillator (32.768 kHz) is connected to pins P21 (XTIN) and P22 (XTOUT) in the dual-clock mode. In the single-clock mode, pins P21 and P22 can be used as normal input/output ports.

It is recommended that pin P20 should be used as an external interrupt input, a STOP mode release signal input, or an input port. If it is used as an output port, the interrupt latch is set on the falling edge of the output pulse.

P2 port output latch (P2DR) and P2 port terminal input (P2PRD) are located on their respective address.

When read the output latch data, the P2DR register should be read and when read the terminal input data, the P2PRD register should be read. If a read instruction is executed for port P2, read data of bits 7 to 3 are unstable.

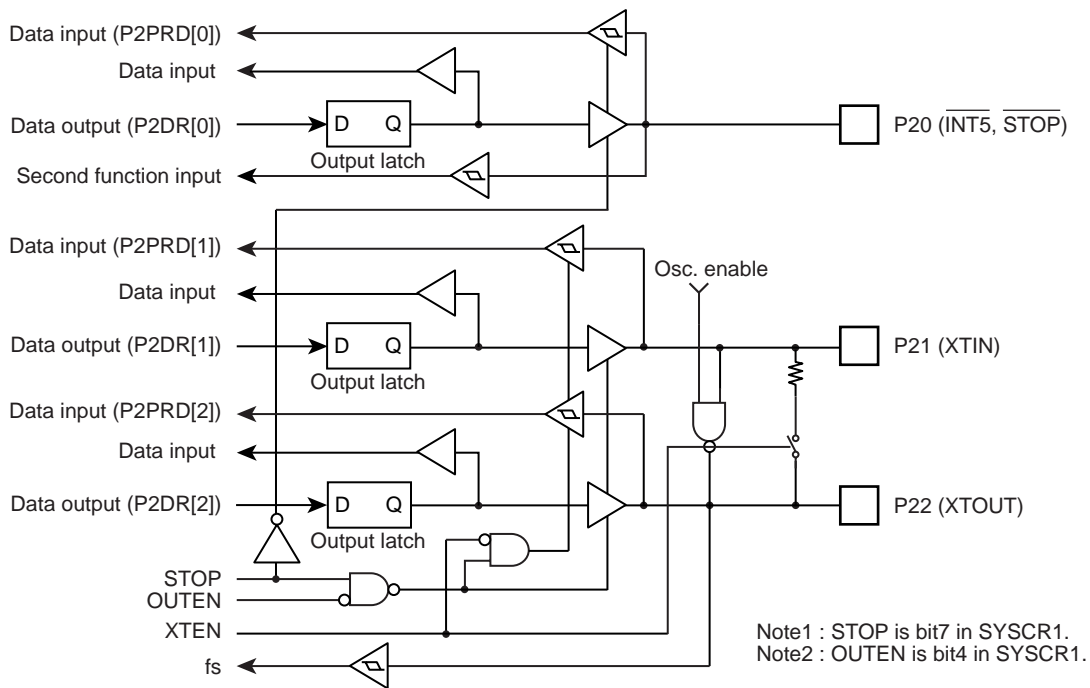


Figure 5-3 Port 2

|                               |   |   |   |   |   |              |             |                     |                            |
|-------------------------------|---|---|---|---|---|--------------|-------------|---------------------|----------------------------|
|                               | 7 | 6 | 5 | 4 | 3 | 2            | 1           | 0                   |                            |
| P2DR<br>(0002H)<br>R/W        |   |   |   |   |   | P22<br>XTOUT | P21<br>XTIN | P20<br>INT5<br>STOP | (Initial value: **** *111) |
| P2PRD<br>(0F9CH)<br>Read only |   |   |   |   |   | P22          | P21         | P20                 |                            |

Note: Port P20 is used as  $\overline{STOP}$  pin. Therefore, when stop mode is started, OUTEN does not affect to P20, and P20 becomes High-Z mode.

### 5.3 Port P3 (P37, P34 to P33)

Port P3 is a 1-bit output and a 2-bit input/output port. It can be selected whether output circuit of P34 to P33 port is C-MOS output or a sink open drain individually, by setting P3OUTCR. When a corresponding bit of P3OUTCR is "0", the output circuit is selected to a sink open drain and when a corresponding bit of P3OUTCR is "1", the output circuit is selected to a C-MOS output.

During reset, the P3DR is initialized to "1", and the P3OUTCR is initialized to "0".

Port P3 is also used as a timer/counter input/output, divider output. It is necessary to set registers for using each function. The following table shows register programming for multi function ports.

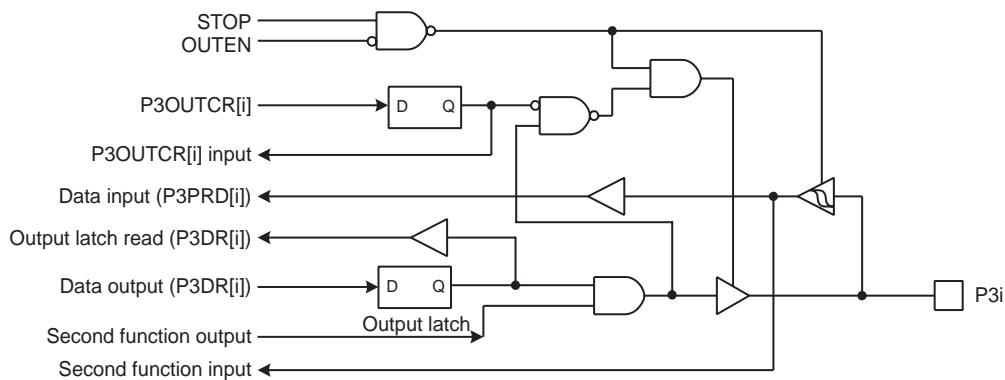
P3 port output latch (P3DR) and P3 port terminal input (P3PRD) are located on their respective address. When read the output latch data, the P3DR should be read and when read the terminal input data, the P3PRD register should be read. If a read instruction is executed for each registers of P3 port, read data of reserved bits are unstable.

Table 5-5 Register programming for P34 to P33

| Function (Port P34 to P33)              | Programmed Value |                                   |
|---|------------------|-----------------------------------|
|   | P3DR[4:3]        | P3OUTCR[4:3]                      |
| Port input or timer counter input       | "1"              | "0"                               |
| Port "0" output                         | "0"              | Programming for each applications |
| Port "1" output or timer counter output | "1"              |                                   |

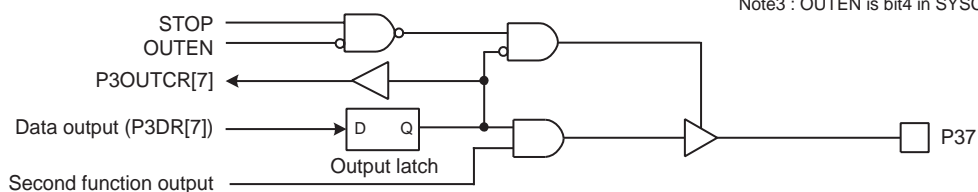
Table 5-6 Register programming for P37

| Function (Port P37)               | Programmed Value |
|-----------------------------------|------------------|
|                                   | P3DR[7]          |
| Port "0" output                   | "0"              |
| Port "1" output or divider output | "1"              |



a) P34, P33

Note1 : i = 4,3  
 Note2 : STOP is bit7 in SYSCR1.  
 Note3 : OUTEN is bit4 in SYSCR1.



b) P37

Figure 5-4 Port 3



|                        |            |   |   |                            |                                    |     |     |     |                             |
|------------------------|------------|---|---|----------------------------|------------------------------------|-----|-----|-----|-----------------------------|
|                        | 7          | 6 | 5 | 4                          | 3                                  | 2   | 1   | 0   |                             |
| P3DR<br>(0003H)<br>R/W | P37<br>DVO |   |   | P34<br>PWM5<br>PDO5<br>TC5 | P33<br>PWM6<br>PDO6<br>PPG6<br>TC6 | "1" | "1" | "1" | (Initial value: 1***1 1***) |

Note 1: Make sure to write "1" to bit2 to bit0 in P3DR.

Note 2: If a read instruction is executed for P3DR, read data of bits 6 to 5 and bit 2 to 0 are unstable.

|                    |   |   |   |     |     |        |        |     |                            |
|--------------------|---|---|---|-----|-----|--------|--------|-----|----------------------------|
|                    | 7 | 6 | 5 | 4   | 3   | 2      | 1      | 0   |                            |
| P3OUTCR<br>(0004H) |   |   |   | P34 | P33 | SIOEN2 | SIOEN1 | "0" | (Initial value: **** 0000) |

|          |   |  |     |
|----------|---|--|-----|
| P34, P33 | Port P3 output circuit control<br>(set for each bit individually) | 0: Sink open-drain output<br>1: C-MOS output                         | R/W |
| SIOEN2   | Port P17 control  | 0: SCK input, Port input, Port output or LCD output<br>1: SCK output |     |
| SIOEN1   | Port P16 control  | 0: Port input, Port output or LCD output<br>1: SO output             |     |

Note 1: When P16 and P17 is used as port output or SIO output, set in order each registers according to notes of Table 1-2 and Table 1-3.

Note 2: If a read instruction is executed for P3OUTCR, read data of bits 7 to 5 and bit 0 are unstable.

Note 3: Make sure to write "0" to bit 0 in P3OUTCR.

|                               |   |   |   |     |     |   |   |   |  |
|-------------------------------|---|---|---|-----|-----|---|---|---|--|
|                               | 7 | 6 | 5 | 4   | 3   | 2 | 1 | 0 |  |
| P3PRD<br>(0F9DH)<br>Read only |   |   |   | P34 | P33 |   |   |   |  |

Note 1: If a read instruction is executed for P3PRD, read data of bits 7 to 5 and bits 2 to 0 are unstable.

## 5.4 Port P5 (P57 to P50)

Port P5 is an 8-bit input/output port which can be configured as an input or an output in one-bit unit. Input/output mode is specified by the P5 control register (P5CR).

During reset, the P5DR, P5CR and P5LCR are initialized to "0".

Port P5 is also used as a segment output of LCD. It is necessary to set registers for using each function. The following table shows register programming for multi function ports.

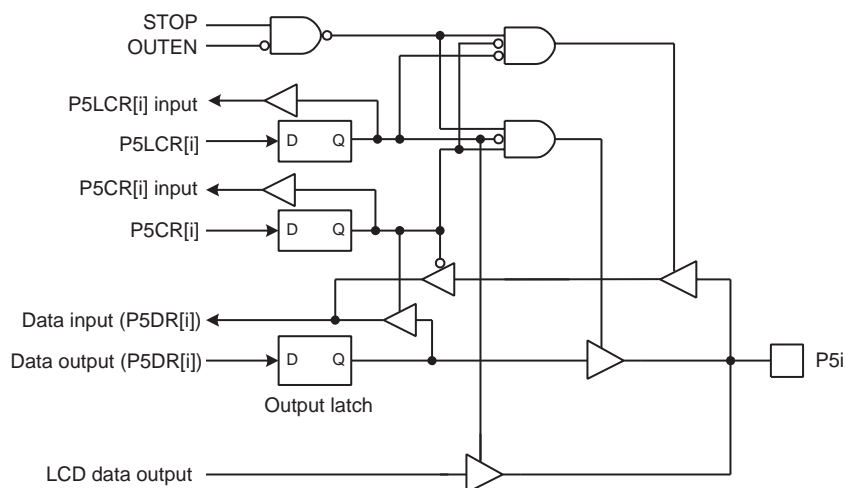
Table 5-7 Register programming for P57 to P50

| Function (Port P57 to P50)      | Programmed Value |           |            |
|---------------------------------|------------------|-----------|------------|
|                                 | P5DR[7:0]        | P5CR[7:0] | P5LCR[7:0] |
| Port input                      | *                | "0"       | "0"        |
| Port "0" output                 | "0"              | "1"       | "0"        |
| Port "1" output and UART output | "1"              | "1"       | "0"        |
| LCD segment output              | *                | *         | "1"        |

Note: Asterisk (\*) indicates "1" or "0" either of which can be selected.

Table 5-8 Values Read from P5DR and register programming

| Conditions |       | Values Read from P5DR |
|------------|-------|-----------------------|
| P5CR       | P5LCR |                       |
| "0"        | "0"   | Terminal input data   |
| "0"        | "1"   | "0"                   |
| "1"        | "0"   | Output latch contents |
|            | "1"   |                       |



Note1 : i = 7 to 0  
Note2 : STOP is bit7 in SYSCR1  
Note3 : OUTEN is bit4 in SYSCR1

Figure 5-5 Port 5

|                        |              |              |              |              |              |              |              |              |                            |
|------------------------|--------------|--------------|--------------|--------------|--------------|--------------|--------------|--------------|----------------------------|
| P5DR<br>(0005H)<br>R/W | 7            | 6            | 5            | 4            | 3            | 2            | 1            | 0            |                            |
|                        | P57<br>SEG16 | P56<br>SEG17 | P55<br>SEG18 | P54<br>SEG19 | P53<br>SEG20 | P52<br>SEG21 | P51<br>SEG22 | P50<br>SEG23 | (Initial value: 0000 0000) |

|                  |   |   |   |   |   |   |   |   |                            |
|------------------|---|---|---|---|---|---|---|---|----------------------------|
| P5LCR<br>(0F9FH) | 7 | 6 | 5 | 4 | 3 | 2 | 1 | 0 |                            |
|                  |   |   |   |   |   |   |   |   | (Initial value: 0000 0000) |

|       |   |  |     |
|-------|---|--|-----|
| P5LCR | Port P5/segment output control<br>(set for each bit individually) | 0: P5 input/output port<br>1: LCD segment output | R/W |
|-------|---|--|-----|

|                 |   |   |   |   |   |   |   |   |                            |
|-----------------|---|---|---|---|---|---|---|---|----------------------------|
| P5CR<br>(000AH) | 7 | 6 | 5 | 4 | 3 | 2 | 1 | 0 |                            |
|                 |   |   |   |   |   |   |   |   | (Initial value: 0000 0000) |

|      |   |                                 |     |
|------|---|---------------------------------|-----|
| P5CR | P5 port input/output control<br>(set for each bit individually) | 0: Input mode<br>1: Output mode | R/W |
|------|---|---------------------------------|-----|

Note: The port placed in input mode reads the pin input state. Therefore, when the input and output modes are used together, the output latch (P5DR) contents for the port in input mode might be changed by executing a bit manipulation instruction.

## 5.5 Port P6 (P64 to P61)

Port P6 is an 4-bit input/output port which can be configured as an input or an output in one-bit unit. Input/output mode is specified by the P6 control register (P6CR1) and input control register (P6CR2).

During reset, the output latch (P6DR) and P6CR1 are initialized to "0", P6CR2 is initialized to "1".

Port P6 is also used as an analog input, Key on Wake up input, timer/counter input and external interrupt input. It is necessary to set registers for using each function. The following table shows register programming for multi function ports.

Table 5-9 Register programming for P64 to P61

| Function (Port P64 to P61)                                  | Programmed Value |            |            |
|---|------------------|------------|------------|
|   | P6DR[4:1]        | P6CR1[4:1] | P6CR2[4:1] |
| Port input, external interrupt input or timer counter input | *                | "0"        | "1"        |
| Analog input or Key on wake up input                        | *                | "0"        | "0"        |
| Port "0" output   | "0"              | "1"        | *          |
| Port "1" output   | "1"              | "1"        | *          |

Note: Asterisk (\*) indicates "1" or "0" either of which can be selected.

Table 5-10 Values Read from P6DR and register programming

| Conditions |       | Values Read from P6DR |
|------------|-------|-----------------------|
| P6CR1      | P6CR2 |                       |
| "0"        | "0"   | "0"                   |
| "0"        | "1"   | Terminal input data   |
| "1"        | "0"   | Output latch contents |
|            | "1"   |                       |

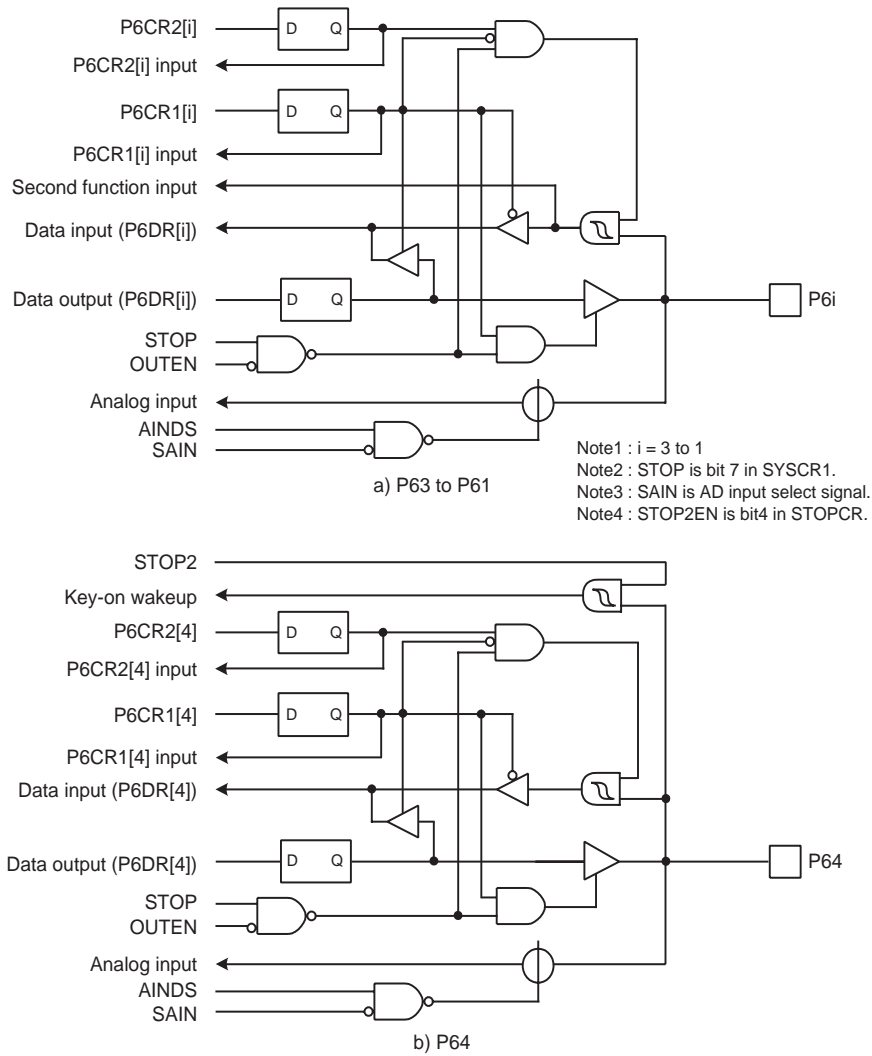


Figure 5-6 Port 6 and P6CR

|                        |   |   |   |                      |                     |                     |                     |   |                            |
|------------------------|---|---|---|----------------------|---------------------|---------------------|---------------------|---|----------------------------|
|                        | 7 | 6 | 5 | 4                    | 3                   | 2                   | 1                   | 0 |                            |
| P6DR<br>(0006H)<br>R/W |   |   |   | P64<br>AIN4<br>STOP2 | P63<br>AIN3<br>INT0 | P62<br>AIN2<br>ECNT | P61<br>AIN1<br>ECIN |   | (Initial value: ***0 000*) |

|                  |     |     |     |   |   |   |   |     |                            |
|------------------|-----|-----|-----|---|---|---|---|-----|----------------------------|
|                  | 7   | 6   | 5   | 4 | 3 | 2 | 1 | 0   |                            |
| P6CR1<br>(000BH) | "0" | "0" | "0" |   |   |   |   | "0" | (Initial value: ***0 000*) |

|       |   |   |     |
|-------|---|---|-----|
| P6CR1 | I/O control for port P6<br>(Specified for each bit) | 0: Port input, Key on wake up input, Analog input, external input<br>or timer counter input<br>1: Port output | R/W |
|-------|---|---|-----|

Note 1: Make sure to write "0" to bit7 to bit5, bit0 in P6CR1.

|                  |   |   |   |   |   |   |   |   |                            |
|------------------|---|---|---|---|---|---|---|---|----------------------------|
|                  | 7 | 6 | 5 | 4 | 3 | 2 | 1 | 0 |                            |
| P6CR2<br>(000CH) |   |   |   |   |   |   |   |   | (Initial value: ***1 111*) |

|       |   |   |     |
|-------|---|---|-----|
| P6CR2 | P6 port input control<br>(Specified for each bit) | 0: Analog input or Key on wake up input<br>1: Port input, external interrupt input or timer counter input | R/W |
|-------|---|---|-----|

## 5.6 Port P7 (P76 to P70)

Port P7 is a 7-bit input/output port which can be configured as an input or an output in one-bit unit. Input/output mode is specified by the P7 control register (P7CR).

During reset, the P7DR, P7CR and P7LCR are initialized to "0".

Port P7 is also used as a segment output of LCD. It is necessary to set registers for using each function. The following table shows register programming for multi function ports.

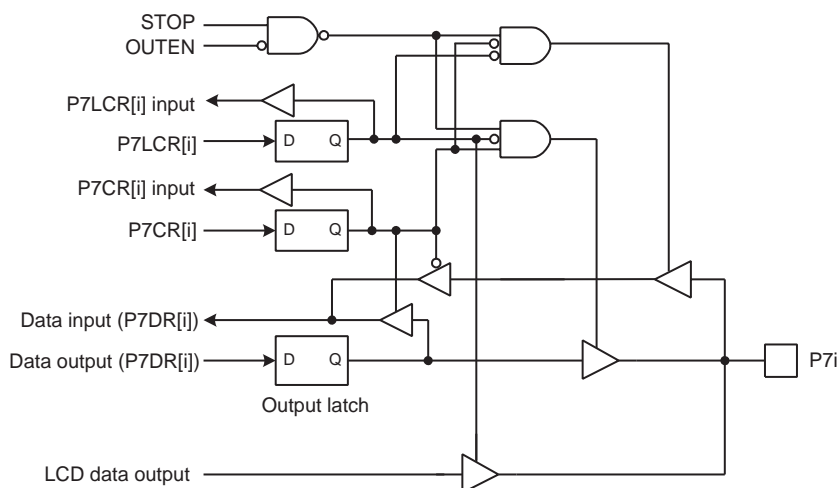
Table 5-11 Register programming for P76 to P70

| Function (Port P76 to P70)      | Programmed Value |           |            |
|---------------------------------|------------------|-----------|------------|
|                                 | P7DR[6:0]        | P7CR[6:0] | P7LCR[6:0] |
| Port input                      | *                | "0"       | "0"        |
| Port "0" output                 | "0"              | "1"       | "0"        |
| Port "1" output and UART output | "1"              | "1"       | "0"        |
| LCD segment output              | *                | *         | "1"        |

Note: Asterisk (\*) indicates "1" or "0" either of which can be selected.

Table 5-12 Values Read from P7DR and register programming

| Conditions |       | Values Read from P7DR |
|------------|-------|-----------------------|
| P7CR       | P7LCR |                       |
| "0"        | "0"   | Terminal input data   |
| "0"        | "1"   | "0"                   |
| "1"        | "0"   | Output latch contents |
|            | "1"   |                       |



Note1 : i = 6 to 0  
Note2 : STOP is bit7 in SYSCR1.  
Note3 : OUTEN is bit4 in SYSCR1.

Figure 5-7 Port 7

|                        |     |             |              |              |              |              |              |              |                            |
|------------------------|-----|-------------|--------------|--------------|--------------|--------------|--------------|--------------|----------------------------|
| P7DR<br>(0007H)<br>R/W | 7   | 6           | 5            | 4            | 3            | 2            | 1            | 0            |                            |
|                        |     | P76<br>SEG9 | P75<br>SEG10 | P74<br>SEG11 | P73<br>SEG12 | P72<br>SEG13 | P71<br>SEG14 | P70<br>SEG15 | (Initial value: 0000 0000) |
| P7LCR<br>(0FA0H)       | 7   | 6           | 5            | 4            | 3            | 2            | 1            | 0            |                            |
|                        | "0" |             |              |              |              |              |              |              | (Initial value: 0000 0000) |

|       |   |  |     |
|-------|---|--|-----|
| P7LCR | Port P7/segment output control<br>(set for each bit individually) | 0: P7 input/output port<br>1: LCD segment output | R/W |
|-------|---|--|-----|

Note: Because the LCD driver does not operate correctly, always set "0" to bit7 of P7LCR.

|                 |   |   |   |   |   |   |   |   |                            |
|-----------------|---|---|---|---|---|---|---|---|----------------------------|
| P7CR<br>(000DH) | 7 | 6 | 5 | 4 | 3 | 2 | 1 | 0 |                            |
|                 |   |   |   |   |   |   |   |   | (Initial value: 0000 0000) |

|      |   |                                 |     |
|------|---|---------------------------------|-----|
| P7CR | P7 port input/output control<br>(set for each bit individually) | 0: Input mode<br>1: Output mode | R/W |
|------|---|---------------------------------|-----|

Note: The port placed in input mode reads the pin input state. Therefore, when the input and output modes are used together, the output latch (P7DR) contents for the port in input mode might be changed by executing a bit manipulation instruction.





## 6. Watchdog Timer (WDT)

The watchdog timer is a fail-safe system to detect rapidly the CPU malfunctions such as endless loops due to spurious noises or the deadlock conditions, and return the CPU to a system recovery routine.

The watchdog timer signal for detecting malfunctions can be programmed only once as “reset request” or “interrupt request”. Upon the reset release, this signal is initialized to “reset request”.

When the watchdog timer is not used to detect malfunctions, it can be used as the timer to provide a periodic interrupt.

Note: Care must be taken in system design since the watchdog timer functions are not be operated completely due to effect of disturbing noise.

### 6.1 Watchdog Timer Configuration

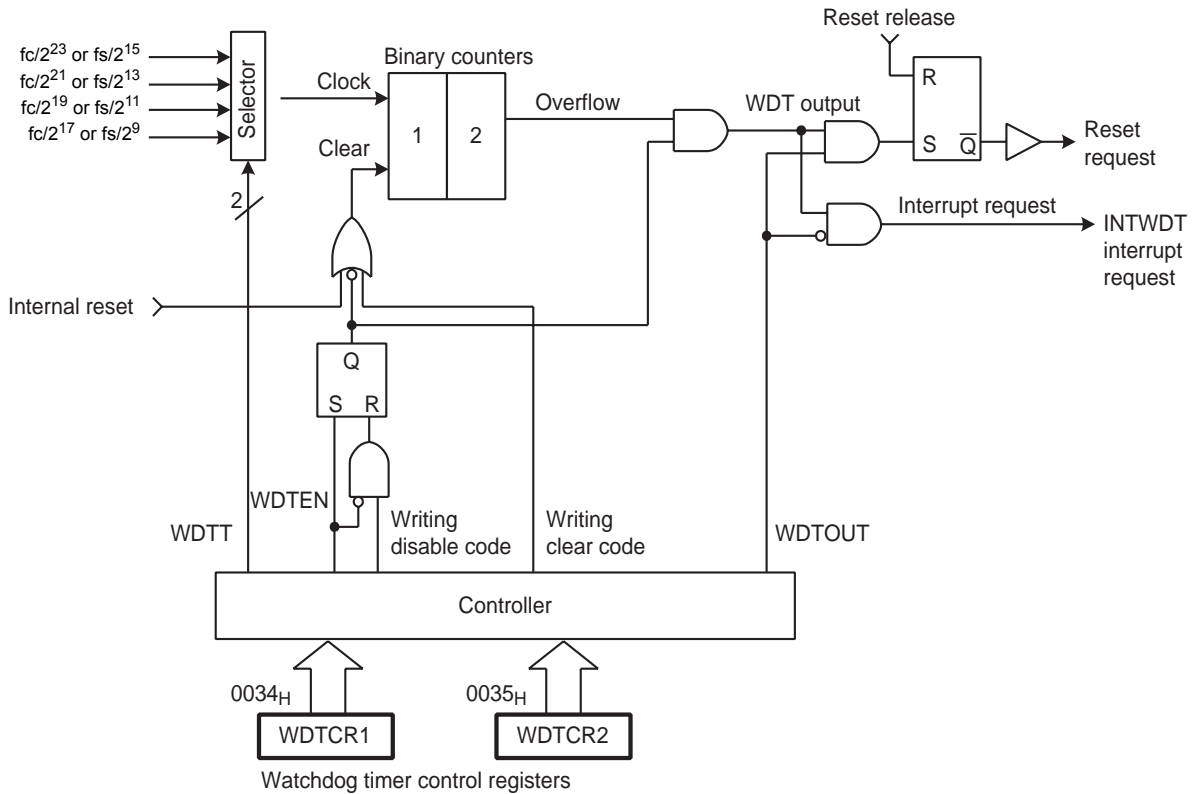


Figure 6-1 Watchdog Timer Configuration

## 6.2 Watchdog Timer Control

The watchdog timer is controlled by the watchdog timer control registers (WDTCR1 and WDTCR2). The watchdog timer is automatically enabled after the reset release.

### 6.2.1 Malfunction Detection Methods Using the Watchdog Timer

The CPU malfunction is detected, as shown below.

1. Set the detection time, select the output, and clear the binary counter.
2. Clear the binary counter repeatedly within the specified detection time.

If the CPU malfunctions such as endless loops or the deadlock conditions occur for some reason, the watchdog timer output is activated by the binary-counter overflow unless the binary counters are cleared. When WDTCR1<WDTOUT> is set to “1” at this time, the reset request is generated and then internal hardware is initialized. When WDTCR1<WDTOUT> is set to “0”, a watchdog timer interrupt (INTWDT) is generated.

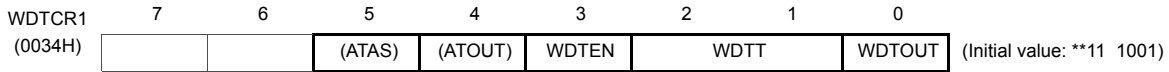
The watchdog timer temporarily stops counting in the STOP mode including the warm-up or IDLE/SLEEP mode, and automatically restarts (continues counting) when the STOP/IDLE/SLEEP mode is inactivated.

Note: The watchdog timer consists of an internal divider and a two-stage binary counter. When the clear code 4EH is written, only the binary counter is cleared, but not the internal divider. The minimum binary-counter overflow time, that depends on the timing at which the clear code (4EH) is written to the WDTCR2 register, may be 3/4 of the time set in WDTCR1<WDTT>. Therefore, write the clear code using a cycle shorter than 3/4 of the time set to WDTCR1<WDTT>.

Example :Setting the watchdog timer detection time to  $2^{21}/f_c$  [s], and resetting the CPU malfunction detection

|                                     |    |                     |  |
|-------------------------------------|----|---------------------|--|
|                                     | LD | (WDTCR2), 4EH       | : Clears the binary counters.  |
|                                     | LD | (WDTCR1), 00001101B | : WDTT ← 10, WDTOUT ← 1  |
| Within 3/4 of WDT<br>detection time | ┌  | LD                  | (WDTCR2), 4EH : Clears the binary counters (always clears immediately before and after changing WDTT). |
|                                     |    | :                   |  |
|                                     |    | :                   |  |
| Within 3/4 of WDT<br>detection time | └  | LD                  | (WDTCR2), 4EH : Clears the binary counters.  |
|                                     |    | :                   |  |
|                                     |    | LD                  | (WDTCR2), 4EH : Clears the binary counters.  |

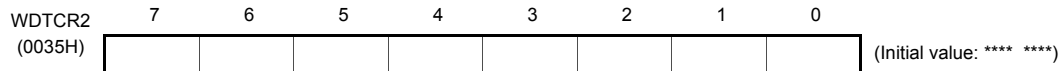
Watchdog Timer Control Register 1



|        |                                   |   |            |
|--------|-----------------------------------|---|------------|
| WDTEN  | Watchdog timer enable/disable     | 0: Disable (Writing the disable code to WDTCR2 is required.)<br>1: Enable | Write only |
| WDTT   | Watchdog timer detection time [s] | 00  | Write only |
|        |                                   | 01  |            |
|        |                                   | 10  |            |
|        |                                   | 11  |            |
|        |                                   | 11  |            |
| WDTOUT | Watchdog timer output select      | 0: Interrupt request<br>1: Reset request                                  | Write only |

- Note 1: After clearing WDTOUT to “0”, the program cannot set it to “1”.
- Note 2: fc: High-frequency clock [Hz], fs: Low-frequency clock [Hz], \*: Don't care
- Note 3: WDTCR1 is a write-only register and must not be used with any of read-modify-write instructions. If WDTCR1 is read, a don't care is read.
- Note 4: To activate the STOP mode, disable the watchdog timer or clear the counter immediately before entering the STOP mode. After clearing the counter, clear the counter again immediately after the STOP mode is inactivated.
- Note 5: To clear WDTEEN, set the register in accordance with the procedures shown in “1.2.3 Watchdog Timer Disable”.

Watchdog Timer Control Register 2



|        |                                   |   |            |
|--------|-----------------------------------|---|------------|
| WDTCR2 | Write Watchdog timer control code | 4EH: Clear the watchdog timer binary counter (Clear code)<br>B1H: Disable the watchdog timer (Disable code)<br>D2H: Enable assigning address trap area<br>Others: Invalid | Write only |
|--------|-----------------------------------|---|------------|

- Note 1: The disable code is valid only when WDTCR1<WDTEN> = 0.
- Note 2: \*: Don't care
- Note 3: The binary counter of the watchdog timer must not be cleared by the interrupt task.
- Note 4: Write the clear code 4EH using a cycle shorter than 3/4 of the time set in WDTCR1<WDTT>.

6.2.2 Watchdog Timer Enable

Setting WDTCR1<WDTEN> to “1” enables the watchdog timer. Since WDTCR1<WDTEN> is initialized to “1” during reset, the watchdog timer is enabled automatically after the reset release.

### 6.2.3 Watchdog Timer Disable

To disable the watchdog timer, set the register in accordance with the following procedures. Setting the register in other procedures causes a malfunction of the microcontroller.

1. Set the interrupt master flag (IMF) to “0”.
2. Set WDTCR2 to the clear code (4EH).
3. Set WDTCR1<WDTEN> to “0”.
4. Set WDTCR2 to the disable code (B1H).

Note: While the watchdog timer is disabled, the binary counters of the watchdog timer are cleared.

Example :Disabling the watchdog timer

```
DI                : IMF ← 0
LD                (WDTCR2), 04EH    : Clears the binary coutner
LDW              (WDTCR1), 0B101H   : WDTEN ← 0, WDTCR2 ← Disable code
```

Table 6-1 Watchdog Timer Detection Time (Example: fc = 16.0 MHz, fs = 32.768 kHz)

| WDTT | Watchdog Timer Detection Time[s] |           |           |
|------|----------------------------------|-----------|-----------|
|      | NORMAL 1/2 mode                  |           | SLOW mode |
|      | DV7CK = 0                        | DV7CK = 1 |           |
| 00   | 2.097                            | 4         | 4         |
| 01   | 524.288 m                        | 1         | 1         |
| 10   | 131.072 m                        | 250 m     | 250 m     |
| 11   | 32.768 m                         | 62.5 m    | 62.5 m    |

### 6.2.4 Watchdog Timer Interrupt (INTWDT)

When WDTCR1<WDTOUT> is cleared to “0”, a watchdog timer interrupt request (INTWDT) is generated by the binary-counter overflow.

A watchdog timer interrupt is the non-maskable interrupt which can be accepted regardless of the interrupt master flag (IMF).

When a watchdog timer interrupt is generated while the other interrupt including a watchdog timer interrupt is already accepted, the new watchdog timer interrupt is processed immediately and the previous interrupt is held pending. Therefore, if watchdog timer interrupts are generated continuously without execution of the RETN instruction, too many levels of nesting may cause a malfunction of the microcontroller.

To generate a watchdog timer interrupt, set the stack pointer before setting WDTCR1<WDTOUT>.

Example :Setting watchdog timer interrupt

```
LD                SP, 023FH        : Sets the stack pointer
LD                (WDTCR1), 00001000B : WDTOUT ← 0
```

### 6.2.5 Watchdog Timer Reset

When a binary-counter overflow occurs while WDTCR1<WDTOUT> is set to “1”, a watchdog timer reset request is generated. When a watchdog timer reset request is generated, the internal hardware is reset. The reset time is maximum  $24/fc$  [s] ( $1.5 \mu s$  @  $fc = 16.0$  MHz).

Note: When a watchdog timer reset is generated in the SLOW1 mode, the reset time is maximum  $24/fc$  (high-frequency clock) since the high-frequency clock oscillator is restarted. However, when crystals have inaccuracies upon start of the high-frequency clock oscillator, the reset time should be considered as an approximate value because it has slight errors.

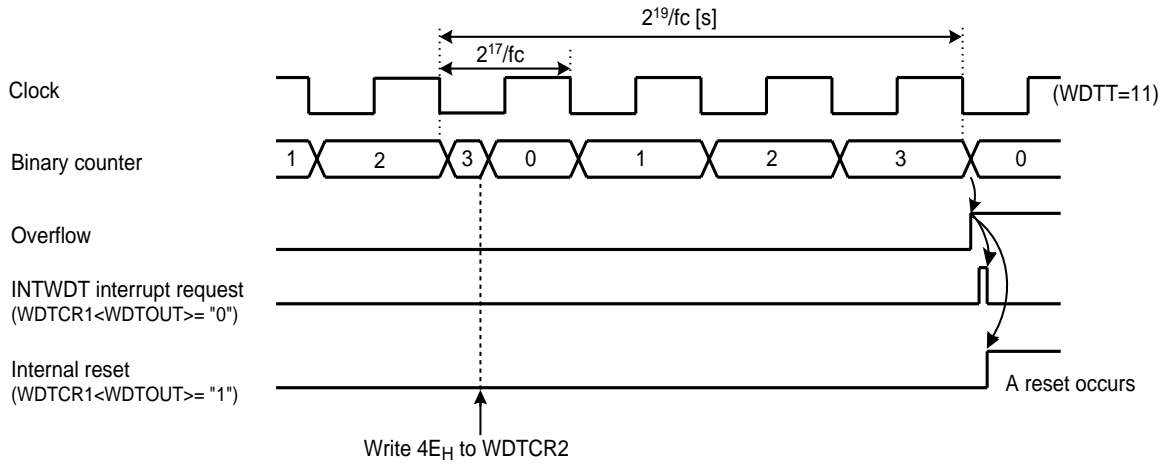
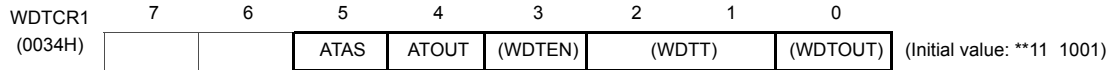


Figure 6-2 Watchdog Timer Interrupt

## 6.3 Address Trap

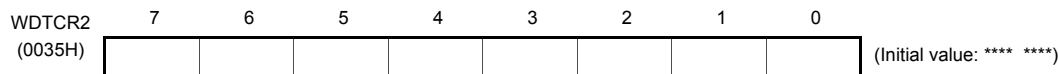
The Watchdog Timer Control Register 1 and 2 share the addresses with the control registers to generate address traps.

### Watchdog Timer Control Register 1



|       |   |  |            |
|-------|---|--|------------|
| ATAS  | Select address trap generation in the internal RAM area | 0: Generate no address trap<br>1: Generate address traps (After setting ATAS to "1", writing the control code D2H to WDTCR2 is required) | Write only |
| ATOUT | Select operation at address trap                        | 0: Interrupt request<br>1: Reset request   |            |

### Watchdog Timer Control Register 2



|        |  |  |            |
|--------|--|--|------------|
| WDTCR2 | Write Watchdog timer control code and address trap area control code | D2H: Enable address trap area selection (ATRAP control code)<br>4EH: Clear the watchdog timer binary counter (WDT clear code)<br>B1H: Disable the watchdog timer (WDT disable code)<br>Others: Invalid | Write only |
|--------|--|--|------------|

#### 6.3.1 Selection of Address Trap in Internal RAM (ATAS)

WDTCR1<ATAS> specifies whether or not to generate address traps in the internal RAM area. To execute an instruction in the internal RAM area, clear WDTCR1<ATAS> to "0". To enable the WDTCR1<ATAS> setting, set WDTCR1<ATAS> and then write D2H to WDTCR2.

Executing an instruction in the SFR or DBR area generates an address trap unconditionally regardless of the setting in WDTCR1<ATAS>.

#### 6.3.2 Selection of Operation at Address Trap (ATOUT)

When an address trap is generated, either the interrupt request or the reset request can be selected by WDTCR1<ATOUT>.

#### 6.3.3 Address Trap Interrupt (INTATRAPP)

While WDTCR1<ATOUT> is "0", if the CPU should start looping for some cause such as noise and an attempt be made to fetch an instruction from the on-chip RAM (while WDTCR1<ATAS> is "1"), DBR or the SFR area, address trap interrupt (INTATRAPP) will be generated.

An address trap interrupt is a non-maskable interrupt which can be accepted regardless of the interrupt master flag (IMF).

When an address trap interrupt is generated while the other interrupt including a watchdog timer interrupt is already accepted, the new address trap is processed immediately and the previous interrupt is held pending. Therefore, if address trap interrupts are generated continuously without execution of the RETN instruction, too many levels of nesting may cause a malfunction of the microcontroller.

To generate address trap interrupts, set the stack pointer beforehand.

### 6.3.4 Address Trap Reset

While WDTCR1<ATOOUT> is “1”, if the CPU should start looping for some cause such as noise and an attempt be made to fetch an instruction from the on-chip RAM (while WDTCR1<ATAS> is “1”), DBR or the SFR area, address trap reset will be generated.

When an address trap reset request is generated, the internal hardware is reset. The reset time is maximum  $24/fc$  [s] ( $1.5 \mu\text{s}$  @  $fc = 16.0 \text{ MHz}$ ).

Note: When an address trap reset is generated in the SLOW1 mode, the reset time is maximum  $24/fc$  (high-frequency clock) since the high-frequency clock oscillator is restarted. However, when crystals have inaccuracies upon start of the high-frequency clock oscillator, the reset time should be considered as an approximate value because it has slight errors.





## 7. Time Base Timer (TBT)

The time base timer generates time base for key scanning, dynamic displaying, etc. It also provides a time base timer interrupt (INTTBT).

### 7.1 Time Base Timer

#### 7.1.1 Configuration

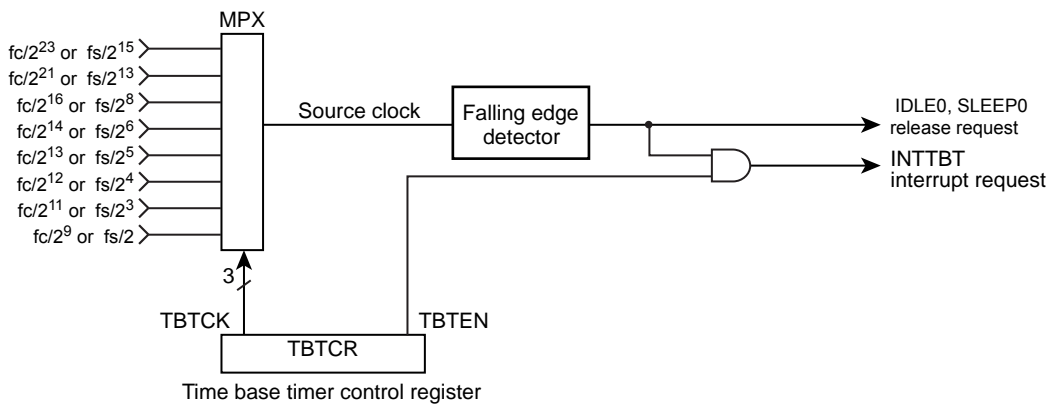


Figure 7-1 Time Base Timer configuration

#### 7.1.2 Control

Time Base Timer is controlled by Time Base Timer control register (TBTCR).

#### Time Base Timer Control Register

|                  |         |         |         |       |   |   |       |   |                            |
|------------------|---------|---------|---------|-------|---|---|-------|---|----------------------------|
|                  | 7       | 6       | 5       | 4     | 3 | 2 | 1     | 0 |                            |
| TBTCR<br>(0036H) | (DVOEN) | (DVOCK) | (DV7CK) | TBTEN |   |   | TBTCK |   | (Initial Value: 0000 0000) |

| TBTEN | Time Base Timer enable / disable                  | 0: Disable<br>1: Enable   |             |                               |     |             |
|-------|---|---------------------------|-------------|-------------------------------|-----|-------------|
| TBTCK | Time Base Timer interrupt Frequency select : [Hz] | NORMAL 1/2, IDLE 1/2 Mode |             | SLOW 1/2<br>SLEEP 1/2<br>Mode | R/W |             |
|       |   | DV7CK = 0                 | DV7CK = 1   |                               |     |             |
|       |   | 000                       | $fc/2^{23}$ | $fs/2^{15}$                   |     | $fs/2^{15}$ |
|       |   | 001                       | $fc/2^{21}$ | $fs/2^{13}$                   |     | $fs/2^{13}$ |
|       |   | 010                       | $fc/2^{16}$ | $fs/2^8$                      |     | —           |
|       |   | 011                       | $fc/2^{14}$ | $fs/2^6$                      |     | —           |
|       |   | 100                       | $fc/2^{13}$ | $fs/2^5$                      |     | —           |
|       |   | 101                       | $fc/2^{12}$ | $fs/2^4$                      |     | —           |
|       |   | 110                       | $fc/2^{11}$ | $fs/2^3$                      |     | —           |
| 111   | $fc/2^9$  | $fs/2$                    | —           |                               |     |             |

Note 1: fc; High-frequency clock [Hz], fs; Low-frequency clock [Hz], \*; Don't care

Note 2: The interrupt frequency (TBTCK) must be selected with the time base timer disabled (TBTEN="0"). (The interrupt frequency must not be changed with the disable from the enable state.) Both frequency selection and enabling can be performed simultaneously.

Example :Set the time base timer frequency to  $fc/2^{16}$  [Hz] and enable an INTTBT interrupt.

```
LD      (TBTCK) , 00000010B      ; TBTCK ← 010
LD      (TBTCK) , 00001010B      ; TBTEN ← 1
DI      ; IMF ← 0
SET     (EIRL) . 6
```

Table 7-1 Time Base Timer Interrupt Frequency ( Example :  $fc = 16.0$  MHz,  $fs = 32.768$  kHz )

| TBTCK | Time Base Timer Interrupt Frequency [Hz] |                         |                        |
|-------|--|-------------------------|------------------------|
|       | NORMAL1/2, IDLE1/2 Mode                  | NORMAL1/2, IDLE1/2 Mode | SLOW1/2, SLEEP1/2 Mode |
|       | DV7CK = 0                                | DV7CK = 1               |                        |
| 000   | 1.91                                     | 1                       | 1                      |
| 001   | 7.63                                     | 4                       | 4                      |
| 010   | 244.14                                   | 128                     | –                      |
| 011   | 976.56                                   | 512                     | –                      |
| 100   | 1953.13                                  | 1024                    | –                      |
| 101   | 3906.25                                  | 2048                    | –                      |
| 110   | 7812.5                                   | 4096                    | –                      |
| 111   | 31250                                    | 16384                   | –                      |

### 7.1.3 Function

An INTTBT ( Time Base Timer Interrupt ) is generated on the first falling edge of source clock ( The divider output of the timing generato which is selected by TBTCK. ) after time base timer has been enabled.

The divider is not cleared by the program; therefore, only the first interrupt may be generated ahead of the set interrupt period ( Figure 7-2 ).

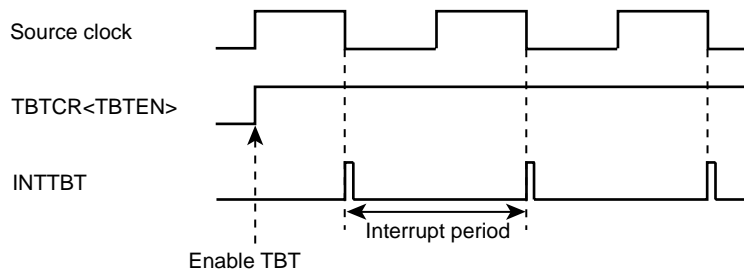


Figure 7-2 Time Base Timer Interrupt

## 7.2 Divider Output ( $\overline{DVO}$ )

Approximately 50% duty pulse can be output using the divider output circuit, which is useful for piezoelectric buzzer drive. Divider output is from  $\overline{DVO}$  pin.

### 7.2.1 Configuration

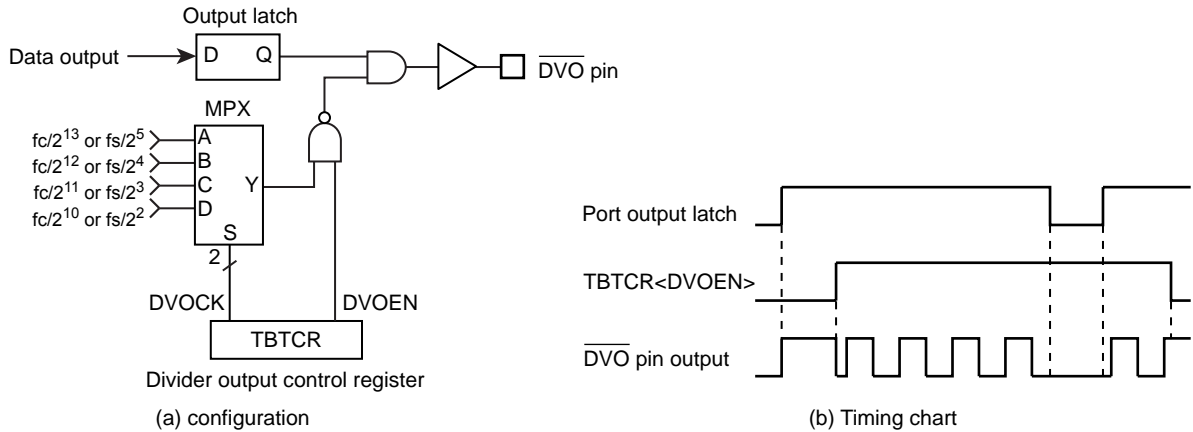
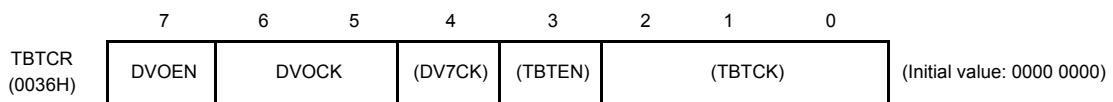


Figure 7-3 Divider Output

### 7.2.2 Control

The Divider Output is controlled by the Time Base Timer Control Register.

#### Time Base Timer Control Register



| DVOEN | Divider output enable / disable                               | 0: Disable<br>1: Enable   |             |                         | R/W |          |
|-------|---|---------------------------|-------------|-------------------------|-----|----------|
| DVOCK | Divider Output ( $\overline{DVO}$ ) frequency selection: [Hz] | NORMAL 1/2, IDLE 1/2 Mode |             | SLOW 1/2 SLEEP 1/2 Mode | R/W |          |
|       |   | DV7CK = 0                 | DV7CK = 1   |                         |     |          |
|       |   | 00                        | $fc/2^{13}$ | $fs/2^5$                |     | $fs/2^5$ |
|       |   | 01                        | $fc/2^{12}$ | $fs/2^4$                |     | $fs/2^4$ |
|       |   | 10                        | $fc/2^{11}$ | $fs/2^3$                |     | $fs/2^3$ |
| 11    | $fc/2^{10}$   | $fs/2^2$                  | $fs/2^2$    |                         |     |          |

Note: Selection of divider output frequency (DVOCK) must be made while divider output is disabled (DVOEN="0"). Also, in other words, when changing the state of the divider output frequency from enabled (DVOEN="1") to disabled (DVOEN="0"), do not change the setting of the divider output frequency.

Example : 1.95 kHz pulse output (fc = 16.0 MHz)

```
LD      (TBTCR), 00000000B      ; DVOCK ← "00"
LD      (TBTCR), 10000000B      ; DVOEN ← "1"
```

Table 7-2 Divider Output Frequency ( Example : fc = 16.0 MHz, fs = 32.768 kHz )

| DVOCK | Divider Output Frequency [Hz] |           |                        |
|-------|-------------------------------|-----------|------------------------|
|       | NORMAL1/2, IDLE1/2 Mode       |           | SLOW1/2, SLEEP1/2 Mode |
|       | DV7CK = 0                     | DV7CK = 1 |                        |
| 00    | 1.953 k                       | 1.024 k   | 1.024 k                |
| 01    | 3.906 k                       | 2.048 k   | 2.048 k                |
| 10    | 7.813 k                       | 4.096 k   | 4.096 k                |
| 11    | 15.625 k                      | 8.192 k   | 8.192 k                |

# 8. 18-Bit Timer/Counter (TC1)

## 8.1 Configuration

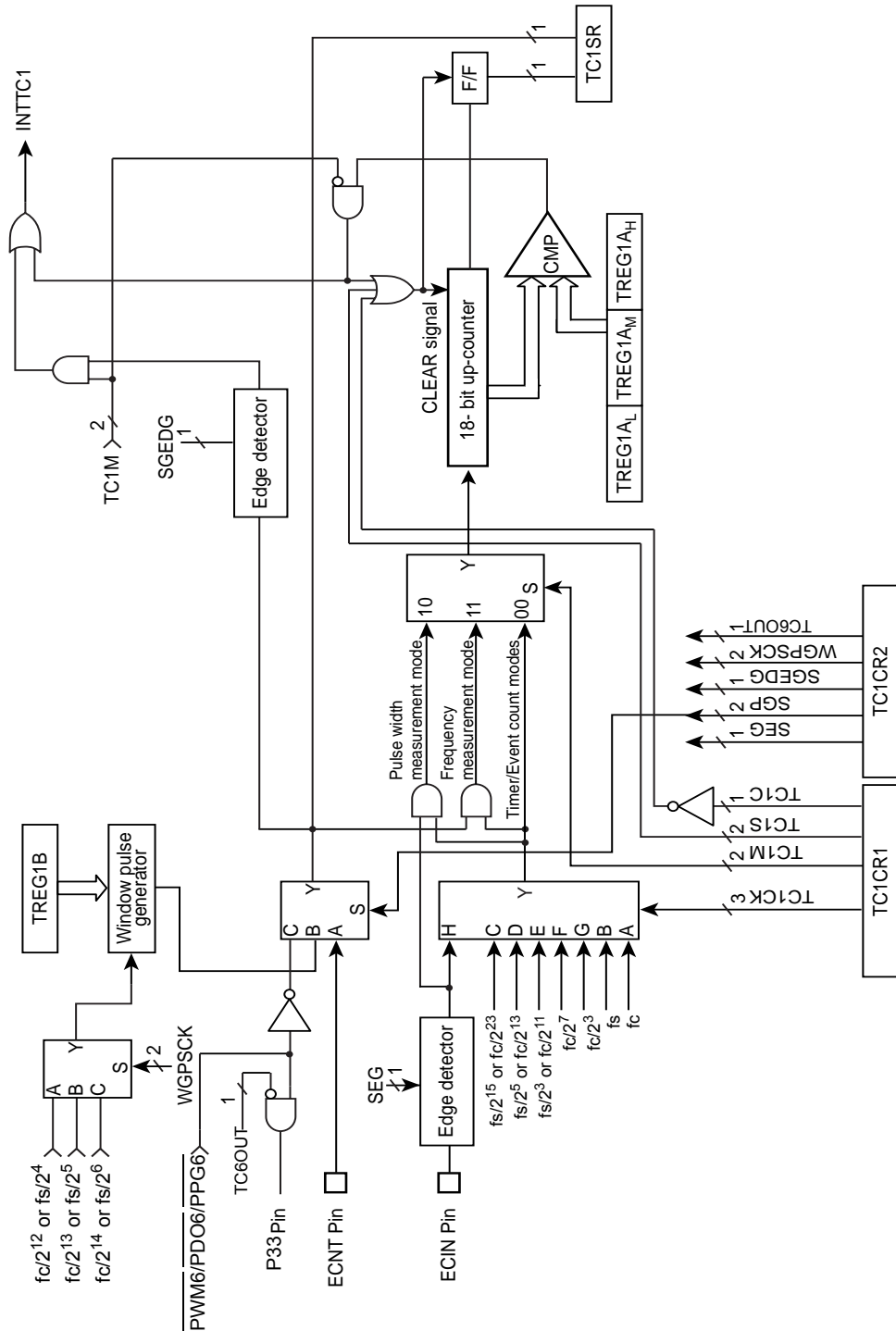
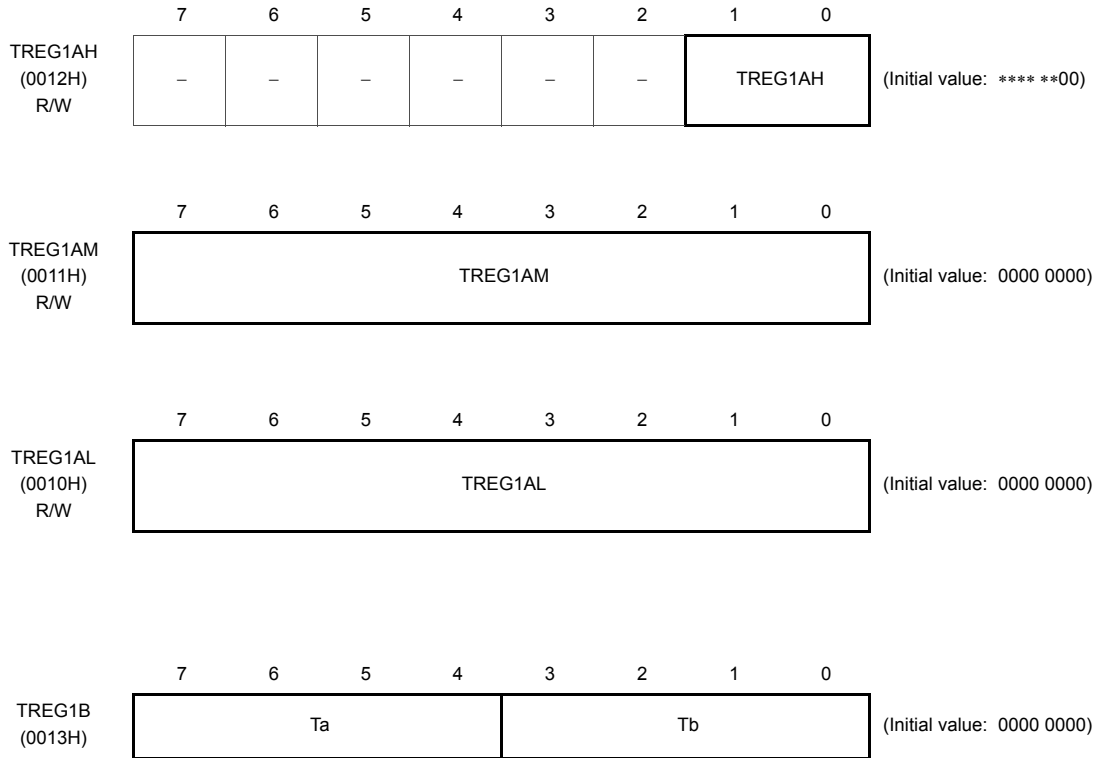


Figure 8-1 Timer/Counter1

## 8.2 Control

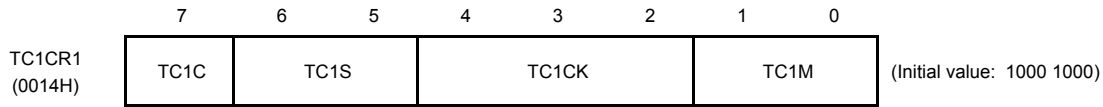
The Timer/counter 1 is controlled by timer/counter 1 control registers (TC1CR1/TC1CR2), an 18-bit timer register (TREG1A), and an 8-bit internal window gate pulse setting register (TREG1B).

### Timer register



|    |   | WGPSCK | NORMAL1/2, IDLE1/2 modes      |                            | SLOW1/2,<br>SLEEP1/2 modes | R/W |
|----|---|--------|-------------------------------|----------------------------|----------------------------|-----|
|    |   |        | DV7CK=0                       | DV7CK=1                    |                            |     |
| Ta | Setting "H" level period of the window gate pulse | 00     | $(16 - Ta) \times 2^{12}/f_c$ | $(16 - Ta) \times 2^4/f_s$ | $(16 - Ta) \times 2^4/f_s$ | R/W |
|    |   | 01     | $(16 - Ta) \times 2^{13}/f_c$ | $(16 - Ta) \times 2^5/f_s$ | $(16 - Ta) \times 2^5/f_s$ |     |
|    |   | 10     | $(16 - Ta) \times 2^{14}/f_c$ | $(16 - Ta) \times 2^6/f_s$ | $(16 - Ta) \times 2^6/f_s$ |     |
| Tb | Setting "L" level period of the window gate pulse | 00     | $(16 - Tb) \times 2^{12}/f_c$ | $(16 - Tb) \times 2^4/f_s$ | $(16 - Tb) \times 2^4/f_s$ | R/W |
|    |   | 01     | $(16 - Tb) \times 2^{13}/f_c$ | $(16 - Tb) \times 2^5/f_s$ | $(16 - Tb) \times 2^5/f_s$ |     |
|    |   | 10     | $(16 - Tb) \times 2^{14}/f_c$ | $(16 - Tb) \times 2^6/f_s$ | $(16 - Tb) \times 2^6/f_s$ |     |

### Timer/counter 1 control register 1



|       |                                 |          |  |             |               |                |     |
|-------|---------------------------------|----------|--|-------------|---------------|----------------|-----|
| TC1C  | Counter/overflow flag control   | 0:       | Clear Counter/overflow flag ("1" is automatically set after clearing.) |             |               | R/W            |     |
|       |                                 | 1:       | Not clear Counter/overflow flag  |             |               |                |     |
| TC1S  | TC1 start control               | 00:      | Stop and counter clear and overflow flag clear                         |             |               | R/W            |     |
|       |                                 | 10:      | Start  |             |               |                |     |
|       |                                 | *1:      | Reserved   |             |               |                |     |
| TC1CK | TC1 source clock select         |          | NORMAL 1/2, IDLE 1/2 modes   |             | SLOW 1/2 mode | SLEEP 1/2 mode |     |
|       |                                 |          | DV7CK="0"  | DV7CK="1"   |               |                |     |
|       |                                 | 000:     | fc   | fc          | fc            | fc             | R/W |
|       |                                 | 001:     | fs   | fs          | -             | -              |     |
|       |                                 | 010:     | $fc/2^{23}$  | $fs/2^{15}$ | $fs/2^{15}$   | $fs/2^{15}$    |     |
|       |                                 | 011:     | $fc/2^{13}$  | $fs/2^5$    | $fs/2^5$      | $fs/2^5$       |     |
|       |                                 | 100:     | $fc/2^{11}$  | $fs/2^3$    | $fs/2^3$      | $fs/2^3$       |     |
|       |                                 | 101:     | $fc/2^7$   | $fc/2^7$    | -             | -              |     |
| 110:  | $fc/2^3$                        | $fc/2^3$ | -  | -           |               |                |     |
| 111:  | External clock (ECIN pin input) |          |  |             |               |                |     |
| TC1M  | TC1 mode select                 | 00:      | Timer/Event counter mode   |             |               | R/W            |     |
|       |                                 | 01:      | Reserved   |             |               |                |     |
|       |                                 | 10:      | Pulse width measurement mode   |             |               |                |     |
|       |                                 | 11:      | Frequency measurement mode   |             |               |                |     |

Note 1: fc; High-frequency clock [Hz] fs; Low-frequency clock [Hz] \* ; Don't care

Note 2: Writing to the low-byte of the timer register 1A (TREG1AL, TREG1AM), the compare function is inhibited until the high-byte (TREG1AH) is written.

Note 3: Set the mode and source clock, and edge (selection) when the TC1 stops (TC1S=00).

Note 4: "fc" can be selected as the source clock only in the timer mode during SLOW mode and in the pulse width measurement mode during NORMAL 1/2 or IDLE 1/2 mode.

Note 5: When a read instruction is executed to the timer register (TREG1A), the counter immediate value, not the register set value, is read out. Therefore it is impossible to read out the written value of TREG1A. To read the counter value, the read instruction should be executed when the counter stops to avoid reading unstable value.

Note 6: Set the timer register (TREG1A) to  $\geq 1$ .

Note 7: When using the timer mode and pulse width measurement mode, set TC1CK (TC1 source clock select) to internal clock.

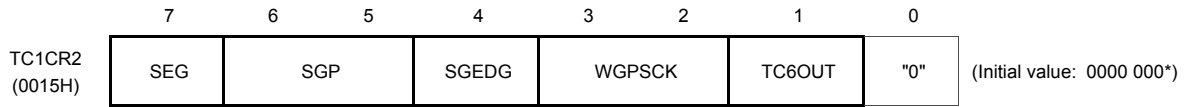
Note 8: When using the event counter mode, set TC1CK (TC1 source clock select) to external clock.

Note 9: Because the read value is different from the written value, do not use read-modify-write instructions to TREG1A.

Note 10:  $fc/2^7$ ,  $fc/2^3$  can not be used as source clock in SLOW/SLEEP mode.

Note 11: The read data of bits 7 to 2 in TREG1AH are always "0". (Data "1" can not be written.)

Timer/Counter 1 control register 2



|        |  |  |           |               |                            |  |               |                |  |  |           |           |     |             |          |          |          |          |     |             |          |          |          |          |     |             |          |          |          |          |     |          |          |          |          |          |     |
|--------|--|--|-----------|---------------|----------------------------|--|---------------|----------------|--|--|-----------|-----------|-----|-------------|----------|----------|----------|----------|-----|-------------|----------|----------|----------|----------|-----|-------------|----------|----------|----------|----------|-----|----------|----------|----------|----------|----------|-----|
| SEG    | External input clock (ECIN) edge select            | 0: Counts at the falling edge<br>1: Counts at the both (falling/rising) edges  | R/W       |               |                            |  |               |                |  |  |           |           |     |             |          |          |          |          |     |             |          |          |          |          |     |             |          |          |          |          |     |          |          |          |          |          |     |
| SGP    | Window gate pulse select                           | 00: ECNT input<br>01: Internal window gate pulse (TREG1B)<br>10: PWM6/PDO6/PPG6 (TC6)output<br>11: Reserved  | R/W       |               |                            |  |               |                |  |  |           |           |     |             |          |          |          |          |     |             |          |          |          |          |     |             |          |          |          |          |     |          |          |          |          |          |     |
| SGEDG  | Window gate pulse interrupt edge select            | 0: Interrupts at the falling edge<br>1: Interrupts at the falling/rising edges   |           |               |                            |  |               |                |  |  |           |           |     |             |          |          |          |          |     |             |          |          |          |          |     |             |          |          |          |          |     |          |          |          |          |          |     |
| WGPSCK | Window gate pulse source clock select              | <table border="1" style="border-collapse: collapse; width: 100%; text-align: center;"> <tr> <td colspan="2"></td> <td colspan="2">NORMAL 1/2, IDLE 1/2 modes</td> <td rowspan="2">SLOW 1/2 mode</td> <td rowspan="2">SLEEP 1/2 mode</td> </tr> <tr> <td colspan="2"></td> <td>DV7CK="0"</td> <td>DV7CK="1"</td> </tr> <tr> <td>00:</td> <td><math>2^{12}/fc</math></td> <td><math>2^4/fs</math></td> <td><math>2^4/fs</math></td> <td><math>2^4/fs</math></td> <td><math>2^4/fs</math></td> </tr> <tr> <td>01:</td> <td><math>2^{13}/fc</math></td> <td><math>2^5/fs</math></td> <td><math>2^5/fs</math></td> <td><math>2^5/fs</math></td> <td><math>2^5/fs</math></td> </tr> <tr> <td>10:</td> <td><math>2^{14}/fc</math></td> <td><math>2^6/fs</math></td> <td><math>2^6/fs</math></td> <td><math>2^6/fs</math></td> <td><math>2^6/fs</math></td> </tr> <tr> <td>11:</td> <td>Reserved</td> <td>Reserved</td> <td>Reserved</td> <td>Reserved</td> <td>Reserved</td> </tr> </table> |           |               | NORMAL 1/2, IDLE 1/2 modes |  | SLOW 1/2 mode | SLEEP 1/2 mode |  |  | DV7CK="0" | DV7CK="1" | 00: | $2^{12}/fc$ | $2^4/fs$ | $2^4/fs$ | $2^4/fs$ | $2^4/fs$ | 01: | $2^{13}/fc$ | $2^5/fs$ | $2^5/fs$ | $2^5/fs$ | $2^5/fs$ | 10: | $2^{14}/fc$ | $2^6/fs$ | $2^6/fs$ | $2^6/fs$ | $2^6/fs$ | 11: | Reserved | Reserved | Reserved | Reserved | Reserved | R/W |
|        |  | NORMAL 1/2, IDLE 1/2 modes   |           | SLOW 1/2 mode | SLEEP 1/2 mode             |  |               |                |  |  |           |           |     |             |          |          |          |          |     |             |          |          |          |          |     |             |          |          |          |          |     |          |          |          |          |          |     |
|        |  | DV7CK="0"  | DV7CK="1" |               |                            |  |               |                |  |  |           |           |     |             |          |          |          |          |     |             |          |          |          |          |     |             |          |          |          |          |     |          |          |          |          |          |     |
| 00:    | $2^{12}/fc$  | $2^4/fs$   | $2^4/fs$  | $2^4/fs$      | $2^4/fs$                   |  |               |                |  |  |           |           |     |             |          |          |          |          |     |             |          |          |          |          |     |             |          |          |          |          |     |          |          |          |          |          |     |
| 01:    | $2^{13}/fc$  | $2^5/fs$   | $2^5/fs$  | $2^5/fs$      | $2^5/fs$                   |  |               |                |  |  |           |           |     |             |          |          |          |          |     |             |          |          |          |          |     |             |          |          |          |          |     |          |          |          |          |          |     |
| 10:    | $2^{14}/fc$  | $2^6/fs$   | $2^6/fs$  | $2^6/fs$      | $2^6/fs$                   |  |               |                |  |  |           |           |     |             |          |          |          |          |     |             |          |          |          |          |     |             |          |          |          |          |     |          |          |          |          |          |     |
| 11:    | Reserved   | Reserved   | Reserved  | Reserved      | Reserved                   |  |               |                |  |  |           |           |     |             |          |          |          |          |     |             |          |          |          |          |     |             |          |          |          |          |     |          |          |          |          |          |     |
| TC6OUT | TC6 output (PWM6/PDO6/PPG6) external output select | 0: Output to P33<br>1: No output to P33  | R/W       |               |                            |  |               |                |  |  |           |           |     |             |          |          |          |          |     |             |          |          |          |          |     |             |          |          |          |          |     |          |          |          |          |          |     |

Note 1: fc; High-frequency clock [Hz] fs; Low-frequency clock [Hz] \*; Don't care

Note 2: Set the mode, source clock, and edge (selection) when the TC1 stops (TC1S = 00).

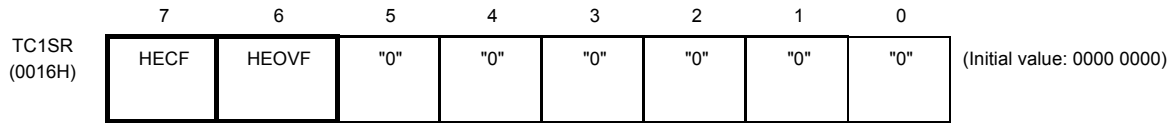
Note 3: If there is no need to use PWM6/PDO6/PPG6 as window gate pulse of TC1 always write "0" to TC6OUT.

Note 4: Make sure to write TC1CR2 "0" to bit 0 in TC1CR2.

Note 5: When using the event counter mode or pulse width measurement mode, set SEG to "0".



TC1 status register



|       |                          |   |           |
|-------|--------------------------|---|-----------|
| HECF  | Operating Status monitor | 0: Stop (during Tb) or disable<br>1: Under counting (during Ta) | Read only |
| HEOVF | Counter overflow monitor | 0: No overflow<br>1: Overflow status                            |           |

### 8.3 Function

TC1 has four operating modes. The timer mode of the TC1 is used at warm-up when switching from SLOW mode to NORMAL2 mode.

#### 8.3.1 Timer mode

In this mode, counting up is performed using the internal clock. The contents of TREGIA are compared with the contents of up-counter. If a match is found, an INTTC1 interrupt is generated, and the counter is cleared. Counting up resumes after the counter is cleared.

Table 8-1 Source clock (internal clock) of Timer/Counter 1

| Source Clock            |                         |                         |                         | Resolution  |                | Maximum Time Setting |                |
|-------------------------|-------------------------|-------------------------|-------------------------|-------------|----------------|----------------------|----------------|
| NORMAL1/2, IDLE1/2 Mode |                         | SLOW Mode               | SLEEP Mode              | fc = 16 MHz | fs =32.768 kHz | fc = 16 MHz          | fs =32.768 kHz |
| DV7CK = 0               | DV7CK = 1               |                         |                         |             |                |                      |                |
| fc/2 <sup>23</sup> [Hz] | fs/2 <sup>15</sup> [Hz] | fs/2 <sup>15</sup> [Hz] | fs/2 <sup>15</sup> [Hz] | 0.52 s      | 1 s            | 38.2 h               | 72.8 h         |
| fc/2 <sup>13</sup>      | fs/2 <sup>5</sup>       | fs/2 <sup>5</sup>       | fs/2 <sup>5</sup>       | 512 ms      | 0.98 ms        | 2.2 min              | 4.3 min        |
| fc/2 <sup>11</sup>      | fs/2 <sup>3</sup>       | fs/2 <sup>3</sup>       | fs/2 <sup>3</sup>       | 128 ms      | 244 ms         | 0.6 min              | 1.07 min       |
| fc/2 <sup>7</sup>       | fc/2 <sup>7</sup>       | -                       | -                       | 8 ms        | -              | 2.1 s                | -              |
| fc/2 <sup>3</sup>       | fc/2 <sup>3</sup>       | -                       | -                       | 0.5 ms      | -              | 131.1 ms             | -              |
| fc                      | fc                      | fc (Note)               | -                       | 62.5 ns     | -              | 16.4 ms              | -              |
| fs                      | fs                      | -                       | -                       | -           | 30.5 ms        | -                    | 8 s            |

Note: When fc is selected for the source clock in SLOW mode, the lower bits 11 of TREG1A is invalid, and a match of the upper bits 7 makes interrupts.

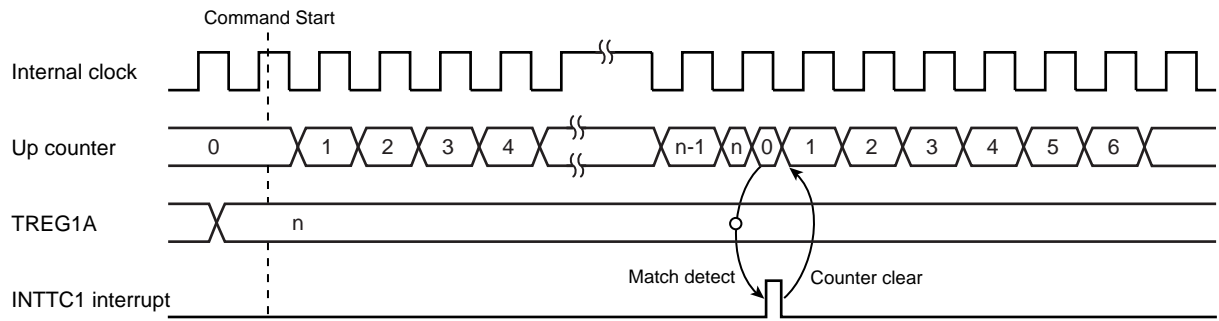


Figure 8-2 Timing chart for timer mode

### 8.3.2 Event Counter mode

It is a mode to count up at the falling edge of the ECIN pin input. When using this mode, set TC1CR1<TC1CK> to the external clock and then set TC1CR2<SEG> to “0” (Both edges can not be used).

The countents of TREG1A are compared with the contents of up-counter. If a match is found, an INTTC1 interrupt is generated, and the counter is cleared. Counting up resumes for ECIN pin input edge each after the counter is cleared.

The maximum applied frequency is  $f_c/2^4$  [Hz] in NORMAL 1/2 or IDLE 1/2 mode and  $f_s/2^4$ [Hz] in SLOW or SLEEP mode . Two or more machine cycles are required for both the “H” and “L” levels of the pulse width.

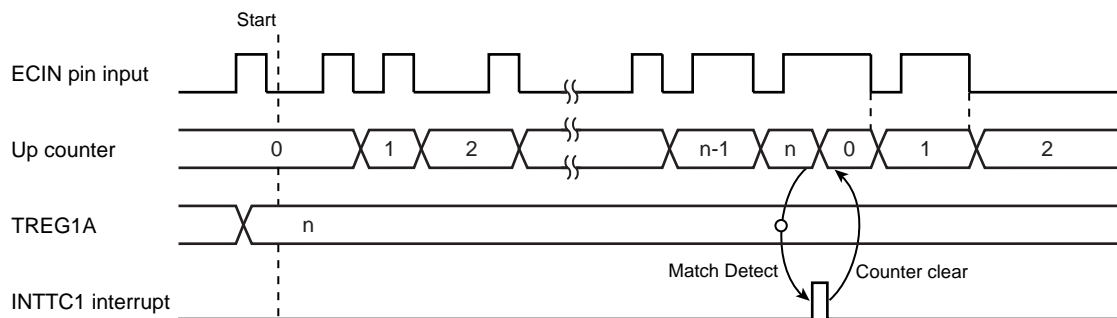


Figure 8-3 Event counter mode timing chart

### 8.3.3 Pulse Width Measurement mode

In this mode, pulse widths are counted on the falling edge of logical AND-ed pulse between ECIN pin input (window pulse) and the internal clock. When using this mode, set TC1CR1<TC1CK> to suitable internal clock and then set TC1CR2<SEG> to "0" (Both edges can not be used).

An INTTC1 interrupt is generated when the ECIN input detects the falling edge of the window pulse or both rising and falling edges of the window pulse, that can be selected by TC1CR2<SGEDG>.

The contents of TREG1A should be read while the count is stopped (ECIN pin is low), then clear the counter using TC1CR1<TC1C> (Normally, execute these process in the interrupt program).

When the counter is not cleared by TC1CR1<TC1C>, counting-up resumes from previous stopping value. When up counter is counted up from 3FFFFH to 00000H, an overflow occurs. At that time, TC1SR<HEOVF> is set to "1". TC1SR<HEOVF> remains the previous data until the counter is required to be cleared by TC1CR1<TC1C>.

Note: In pulse width measurement mode, if TC1CR1<TC1S> is written to "00" while ECIN input is "1", INTTC1 interrupt occurs. According to the following step, when timer counter is stopped, INTTC1 interrupt latch should be cleared to "0".

Example :

```

TC1STOP :
    |          |
    DI                      ; Clear IMF
    CLR          (EIRL). 7    ; Clear bit7 of EIRL
    LD           (TC1CR1), 00011010B ; Stop timer couer 1
    LD           (ILL), 01111111B   ; Clear bit7 of ILL
    SET          (EIRL). 7    ; Set bit7 of EIRL
    EI                      ; Set IMF
    |          |
    
```

Note 1: When SGEDG (window gate pulse interrupt edge select) is set to both edges and ECIN pin input is "1" in the pulse width measurement mode, an INTTC1 interrupt is generated by setting TC1S (TC1 start control) to "10" (start).

Note 2: In the pulse width measurement mode, HECF (operating status monitor) cannot used.

Note 3: Because the up counter is counted on the falling edge of logical AND-ed pulse (between ECIN pin input and the internal clock), if ECIN input becomes falling edge while internal source clock is "H" level, the up counter stops plus "1".

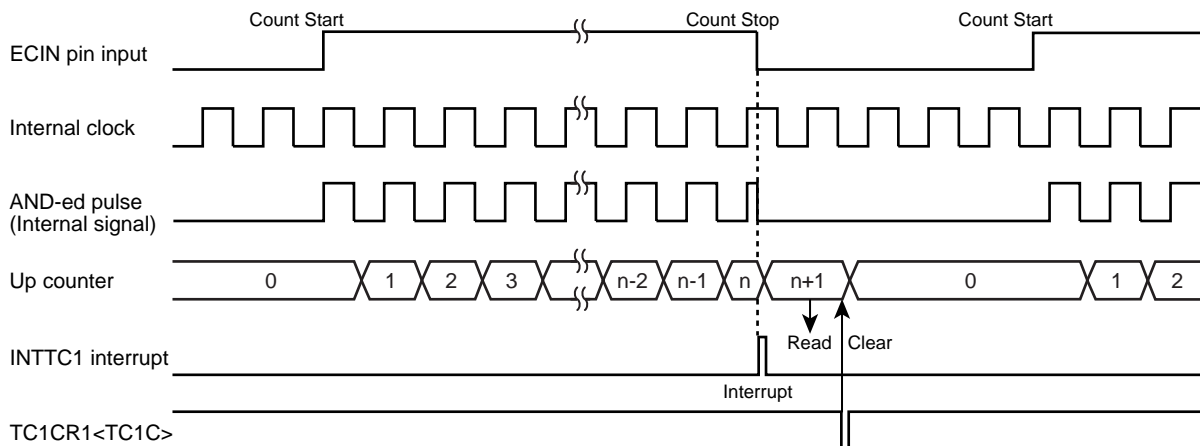


Figure 8-4 Pulse width measurement mode timing chart

### 8.3.4 Frequency Measurement mode

In this mode, the frequency of ECIN pin input pulse is measured. When using this mode, set TC1CR1<TC1CK> to the external clock.

The edge of the ECIN input pulse is counted during “H” level of the window gate pulse selected by TC1CR2<SGP>. To use ECNT input as a window gate pulse, TC1CR2<SGP> should be set to “00”.

An INTTC1 interrupt is generated on the falling edge or both the rising/falling edges of the window gate pulse, that can be selected by TC1CR2<SGEDG>. In the interrupt service program, read the contents of TREG1A while the count is stopped (window gate pulse is low), then clear the counter using TC1CR1<TC1C>. When the counter is not cleared, counting up resumes from previous stopping value.

The window pulse status can be monitored by TC1SR<HECF>.

When up counter is counted up from 3FFFFH to 00000H, an overflow occurs. At that time, TC1SR<HEOVF> is set to “1”. TC1SR<HEOVF> remains the previous data until the counter is required to be cleared by TC1CR1<TC1C>.

Using TC6 output ( $\overline{PWM6/PDO6/PPG6}$ ) for the window gate pulse, external output of  $\overline{PWM6/PDO6/PPG6}$  to P33 can be controlled using TC1CR2<TC6OUT>. Zero-clearing TC1CR2<TC6OUT> outputs  $\overline{PWM6/PDO6/PPG6}$  to P33; setting 1 in TC1CR2<TC6OUT> does not output  $\overline{PWM6/PDO6/PPG6}$  to P33. (TC1CR2<TC6OUT> is used to control output to P33 only. Thus, use the timer counter 6 control register to operate/stop  $\overline{PWM6/PDO6/PPG6}$ .)

When the internal window gate pulse is selected, the window gate pulse is set as follows.

Table 8-2 Internal window gate pulse setting time

|    |   | WGPSCK | NORMAL1/2, IDLE1/2 modes     |                           | SLOW1/2,<br>SLEEP1/2 modes | R/W |
|----|---|--------|------------------------------|---------------------------|----------------------------|-----|
|    |   |        | DV7CK=0                      | DV7CK=1                   |                            |     |
| Ta | Setting "H" level period of the window gate pulse | 00     | $(16 - Ta) \times 2^{12}/fc$ | $(16 - Ta) \times 2^4/fs$ | $(16 - Ta) \times 2^4/fs$  |     |
|    |   | 01     | $(16 - Ta) \times 2^{13}/fc$ | $(16 - Ta) \times 2^5/fs$ | $(16 - Ta) \times 2^5/fs$  |     |
|    |   | 10     | $(16 - Ta) \times 2^{14}/fc$ | $(16 - Ta) \times 2^6/fs$ | $(16 - Ta) \times 2^6/fs$  |     |
| Tb | Setting "L" level period of the window gate pulse | 00     | $(16 - Tb) \times 2^{12}/fc$ | $(16 - Tb) \times 2^4/fs$ | $(16 - Tb) \times 2^4/fs$  |     |
|    |   | 01     | $(16 - Tb) \times 2^{13}/fc$ | $(16 - Tb) \times 2^5/fs$ | $(16 - Tb) \times 2^5/fs$  |     |
|    |   | 10     | $(16 - Tb) \times 2^{14}/fc$ | $(16 - Tb) \times 2^6/fs$ | $(16 - Tb) \times 2^6/fs$  |     |

The internal window gate pulse consists of “H” level period (Ta) that is counting time and “L” level period (Tb) that is counting stop time. Ta or Tb can be individually set by TREG1B. One cycle contains Ta + Tb.

Note 1: Because the internal window gate pulse is generated in synchronization with the internal divider, it may be delayed for a maximum of one cycle of the source clock (WGPSCK) immediately after start of the timer.

Note 2: Set the internal window gate pulse when the timer counter is not operating or during the Tb period. When Tb is overwritten during the Tb period, the update is valid from the next Tb period.

Note 3: In case of TC1CR2<SEG> = "1", if window gate pulse becomes falling edge, the up counter stops plus "1" regardless of ECIN input level. Therefore, if ECIN is always "H" or "L" level, count value becomes "1".

Note 4: In case of TC1CR2<SEG> = "0", because the up counter is counted on the falling edge of logical AND-ed pulse (between ECIN pin input and window gate pulse), if window gate pulse becomes falling edge while ECIN input is "H" level, the up counter stops plus "1". Therefore, if ECIN input is always "H" level, count value becomes "1".

Table 8-3 Table Setting Ta and Tb (WGPSCK = 10, fc = 16 MHz)

| Setting Value | Setting time | Setting Value | Setting time |
|---------------|--------------|---------------|--------------|
| 0             | 16.38ms      | 8             | 8.19ms       |
| 1             | 15.36ms      | 9             | 7.17ms       |
| 2             | 14.34ms      | A             | 6.14ms       |
| 3             | 13.31ms      | B             | 5.12ms       |
| 4             | 12.29ms      | C             | 4.10ms       |
| 5             | 11.26ms      | D             | 3.07ms       |
| 6             | 10.24ms      | E             | 2.05ms       |
| 7             | 9.22ms       | F             | 1.02ms       |

Table 8-4 Table Setting Ta and Tb (WGPSCK = 10, fs = 32.768 kHz)

| Setting Valuen | Setting time | Setting Value | Setting time |
|----------------|--------------|---------------|--------------|
| 0              | 31.25ms      | 8             | 15.63ms      |
| 1              | 29.30ms      | 9             | 13.67ms      |
| 2              | 27.34ms      | A             | 11.72ms      |
| 3              | 25.39ms      | B             | 9.77ms       |
| 4              | 23.44ms      | C             | 7.81ms       |
| 5              | 21.48ms      | D             | 5.86ms       |
| 6              | 19.53ms      | E             | 3.91ms       |
| 7              | 17.58ms      | F             | 1.95ms       |

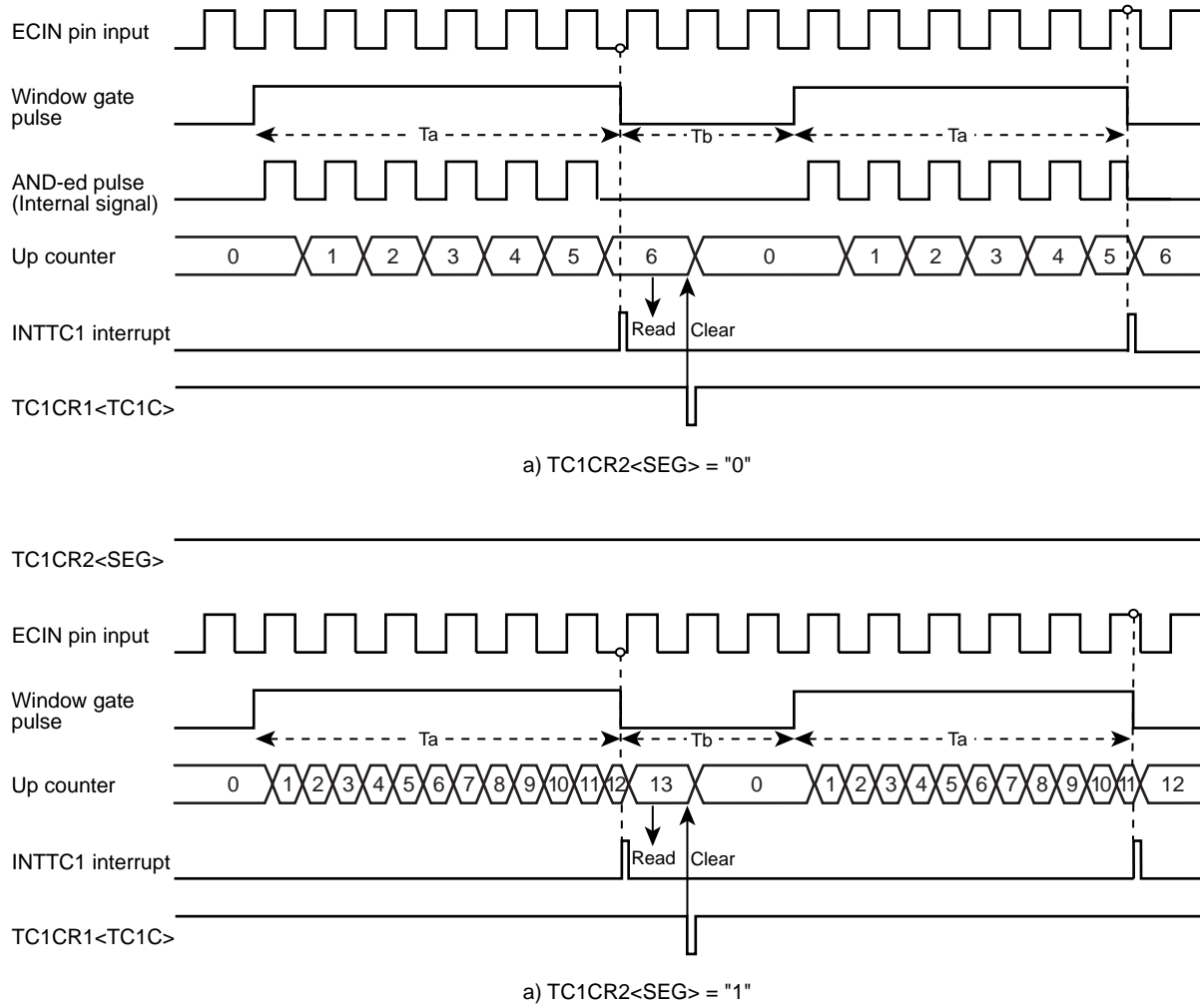


Figure 8-5 Timing chart for the frequency measurement mode (Window gate pulse falling interrupt)

# 9. 8-Bit TimerCounter (TC5, TC6)

## 9.1 Configuration

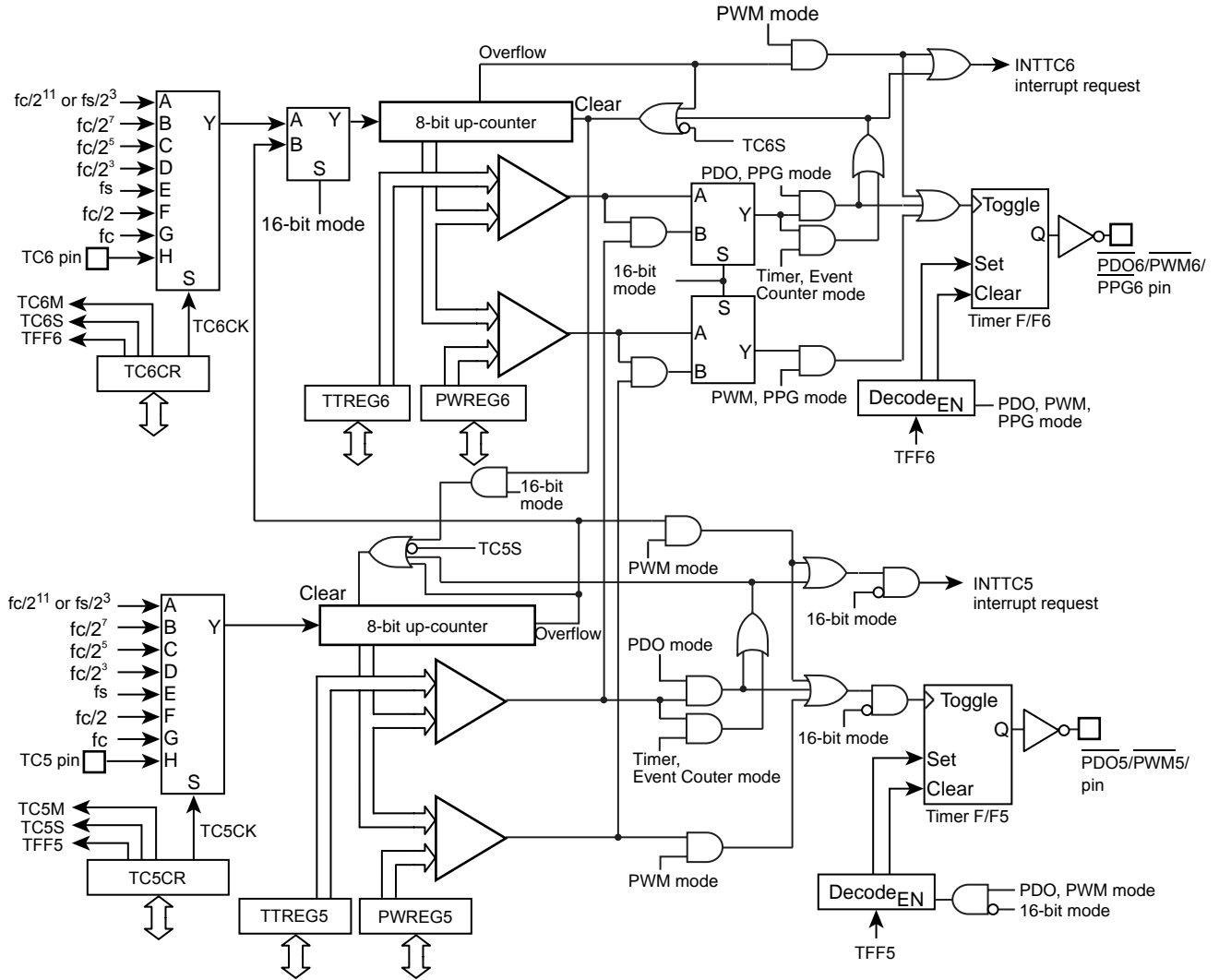
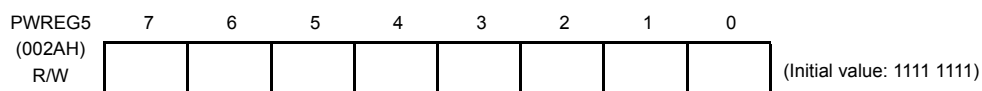
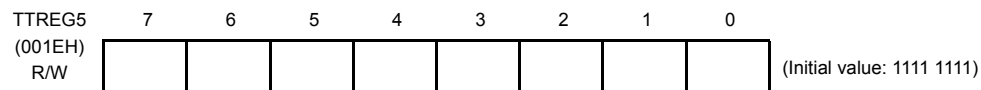


Figure 9-1 8-Bit TimerCounter 5, 6

## 9.2 TimerCounter Control

The TimerCounter 5 is controlled by the TimerCounter 5 control register (TC5CR) and two 8-bit timer registers (TTREG5, PWREG5).

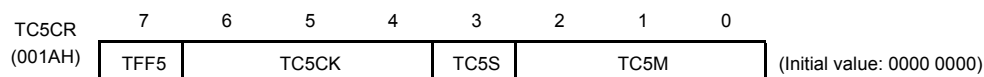
### TimerCounter 5 Timer Register



Note 1: Do not change the timer register (TTREG5) setting while the timer is running.

Note 2: Do not change the timer register (PWREG5) setting in the operating mode except the 8-bit and 16-bit PWM modes while the timer is running.

### TimerCounter 5 Control Register



| TFF5  | Time F/F5 control              | 0: Clear<br>1: Set   |             |                             | R/W |          |
|-------|--------------------------------|--|-------------|-----------------------------|-----|----------|
| TC5CK | Operating clock selection [Hz] | NORMAL1/2, IDLE1/2 mode  |             | SLOW1/2<br>SLEEP1/2<br>mode | R/W |          |
|       |                                | DV7CK = 0  | DV7CK = 1   |                             |     |          |
|       |                                | 000  | $fc/2^{11}$ | $fs/2^3$                    |     | $fs/2^3$ |
|       |                                | 001  | $fc/2^7$    | $fc/2^7$                    |     | –        |
|       |                                | 010  | $fc/2^5$    | $fc/2^5$                    |     | –        |
|       |                                | 011  | $fc/2^3$    | $fc/2^3$                    |     | –        |
|       |                                | 100  | fs          | fs                          |     | fs       |
|       |                                | 101  | $fc/2$      | $fc/2$                      |     | –        |
| 110   | fc                             | fc   | fc (Note 8) |                             |     |          |
| 111   | TC5 pin input                  |  |             |                             |     |          |
| TC5S  | TC5 start control              | 0: Operation stop and counter clear<br>1: Operation start  |             |                             | R/W |          |
| TC5M  | TC5M operating mode select     | 000: 8-bit timer/event counter mode<br>001: 8-bit programmable divider output (PDO) mode<br>010: 8-bit pulse width modulation (PWM) output mode<br>011: 16-bit mode<br>(Each mode is selectable with TC6M.)<br>1**: Reserved |             |                             | R/W |          |

Note 1: fc: High-frequency clock [Hz] fs: Low-frequency clock[Hz]

Note 2: Do not change the TC5M, TC5CK and TFF5 settings while the timer is running.

Note 3: To stop the timer operation (TC5S= 1 → 0), do not change the TC5M, TC5CK and TFF5 settings. To start the timer operation (TC5S= 0 → 1), TC5M, TC5CK and TFF5 can be programmed.

Note 4: To use the TimerCounter in the 16-bit mode, set the operating mode by programming TC6CR<TC6M>, where TC5M must be fixed to 011.

Note 5: To use the TimerCounter in the 16-bit mode, select the source clock by programming TC5CK. Set the timer start control and timer F/F control by programming TC6CR<TC6S> and TC6CR<TFF6>, respectively.

Note 6: The operating clock settings are limited depending on the timer operating mode. For the detailed descriptions, see Table 9-1 and Table 9-2.



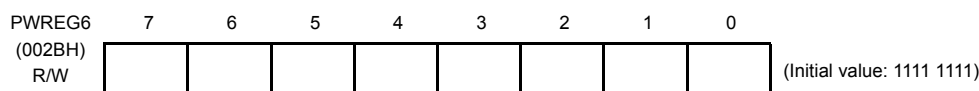
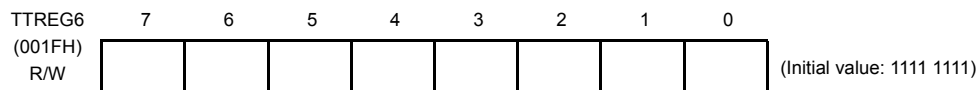
Note 7: The timer register settings are limited depending on the timer operating mode. For the detailed descriptions, see Table 9-3.

Note 8: The operating clock  $f_c$  in the SLOW or SLEEP mode can be used only as the high-frequency warm-up mode.



The TimerCounter 6 is controlled by the TimerCounter 6 control register (TC6CR) and two 8-bit timer registers (TTREG6 and PWREG6).

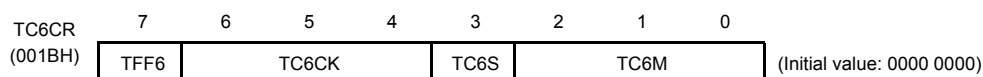
TimerCounter 6 Timer Register



Note 1: Do not change the timer register (TTREG6) setting while the timer is running.

Note 2: Do not change the timer register (PWREG6) setting in the operating mode except the 8-bit and 16-bit PWM modes while the timer is running.

TimerCounter 6 Control Register



| TFF6  | Timer F/F6 control             | 0: Clear<br>1: Set  |             |                               | R/W |          |
|-------|--------------------------------|---|-------------|-------------------------------|-----|----------|
| TC6CK | Operating clock selection [Hz] | NORMAL 1/2, IDLE 1/2 mode   |             | SLOW 1/2<br>SLEEP 1/2<br>mode | R/W |          |
|       |                                | DV7CK = 0   | DV7CK = 1   |                               |     |          |
|       |                                | 000   | $fc/2^{11}$ | $fs/2^3$                      |     | $fs/2^3$ |
|       |                                | 001   | $fc/2^7$    | $fc/2^7$                      |     | –        |
|       |                                | 010   | $fc/2^5$    | $fc/2^5$                      |     | –        |
|       |                                | 011   | $fc/2^3$    | $fc/2^3$                      |     | –        |
|       |                                | 100   | fs          | fs                            |     | fs       |
|       |                                | 101   | $fc/2$      | $fc/2$                        |     | –        |
| 110   | fc                             | fc  | –           |                               |     |          |
| 111   | TC6 pin input                  |   |             |                               |     |          |
| TC6S  | TC6 start control              | 0: Operation stop and counter clear<br>1: Operation start   |             |                               | R/W |          |
| TC6M  | TC6M operating mode select     | 000: 8-bit timer/event counter mode<br>001: 8-bit programmable divider output (PDO) mode<br>010: 8-bit pulse width modulation (PWM) output mode<br>011: Reserved<br>100: 16-bit timer/event counter mode<br>101: Warm-up counter mode<br>110: 16-bit pulse width modulation (PWM) output mode<br>111: 16-bit PPG mode |             |                               | R/W |          |

Note 1: fc: High-frequency clock [Hz] fs: Low-frequency clock [Hz]

Note 2: Do not change the TC6M, TC6CK and TFF6 settings while the timer is running.

Note 3: To stop the timer operation (TC6S= 1 → 0), do not change the TC6M, TC6CK and TFF6 settings. To start the timer operation (TC6S= 0 → 1), TC6M, TC6CK and TFF6 can be programmed.

Note 4: When TC6M= 1\*\* (upper byte in the 16-bit mode), the source clock becomes the TC6 overflow signal regardless of the TC5CK setting.

Note 5: To use the TimerCounter in the 16-bit mode, select the operating mode by programming TC6M, where TC5CR < TC5 M must be set to 011.

Note 6: To the TimerCounter in the 16-bit mode, select the source clock by programming TC5CR<TC5CK>. Set the timer start control and timer F/F control by programming TC6S and TFF6, respectively.

Note 7: The operating clock settings are limited depending on the timer operating mode. For the detailed descriptions, see Table 9-1 and Table 9-2.

Note 8: The timer register settings are limited depending on the timer operating mode. For the detailed descriptions, see Table 9-3.

Note 9: To use the PDO, PWM or PPG mode, a pulse is not output from the timer output pin when TC1CR2<TC6OUT> is set to 1. To output a pulse from the timer output pin, clear TC1CR2<TC6OUT> to 0.

Table 9-1 Operating Mode and Selectable Source Clock (NORMAL1/2 and IDLE1/2 Modes)

| Operating mode       | fc/2 <sup>11</sup><br>or<br>fs/2 <sup>3</sup> | fc/2 <sup>7</sup> | fc/2 <sup>5</sup> | fc/2 <sup>3</sup> | fs | fc/2 | fc | TC5<br>pin input | TC6<br>pin input |
|----------------------|---|-------------------|-------------------|-------------------|----|------|----|------------------|------------------|
| 8-bit timer          | ○   | ○                 | ○                 | ○                 | –  | –    | –  | –                | –                |
| 8-bit event counter  | –   | –                 | –                 | –                 | –  | –    | –  | ○                | ○                |
| 8-bit PDO            | ○   | ○                 | ○                 | ○                 | –  | –    | –  | –                | –                |
| 8-bit PWM            | ○   | ○                 | ○                 | ○                 | ○  | ○    | ○  | –                | –                |
| 16-bit timer         | ○   | ○                 | ○                 | ○                 | –  | –    | –  | –                | –                |
| 16-bit event counter | –   | –                 | –                 | –                 | –  | –    | –  | ○                | –                |
| Warm-up counter      | –   | –                 | –                 | –                 | ○  | –    | –  | –                | –                |
| 16-bit PWM           | ○   | ○                 | ○                 | ○                 | ○  | ○    | ○  | ○                | –                |
| 16-bit PPG           | ○   | ○                 | ○                 | ○                 | –  | –    | –  | ○                | –                |

Note 1: For 16-bit operations (16-bit timer/event counter, warm-up counter, 16-bit PWM and 16-bit PPG), set its source clock on lower bit (TC5CK).

Note 2: ○ : Available source clock

Table 9-2 Operating Mode and Selectable Source Clock (SLOW1/2 and SLEEP1/2 Modes)

| Operating mode       | fc/2 <sup>11</sup><br>or<br>fs/2 <sup>3</sup> | fc/2 <sup>7</sup> | fc/2 <sup>5</sup> | fc/2 <sup>3</sup> | fs | fc/2 | fc | TC5<br>pin input | TC6<br>pin input |
|----------------------|---|-------------------|-------------------|-------------------|----|------|----|------------------|------------------|
| 8-bit timer          | ○   | –                 | –                 | –                 | –  | –    | –  | –                | –                |
| 8-bit event counter  | –   | –                 | –                 | –                 | –  | –    | –  | ○                | ○                |
| 8-bit PDO            | ○   | –                 | –                 | –                 | –  | –    | –  | –                | –                |
| 8-bit PWM            | ○   | –                 | –                 | –                 | ○  | –    | –  | –                | –                |
| 16-bit timer         | ○   | –                 | –                 | –                 | –  | –    | –  | –                | –                |
| 16-bit event counter | –   | –                 | –                 | –                 | –  | –    | –  | ○                | –                |
| Warm-up counter      | –   | –                 | –                 | –                 | –  | –    | ○  | –                | –                |
| 16-bit PWM           | ○   | –                 | –                 | –                 | ○  | –    | –  | ○                | –                |
| 16-bit PPG           | ○   | –                 | –                 | –                 | –  | –    | –  | ○                | –                |

Note1: For 16-bit operations (16-bit timer/event counter, warm-up counter, 16-bit PWM and 16-bit PPG), set its source clock on lower bit (TC5CK).

Note2: ○ : Available source clock

Table 9-3 Constraints on Register Values Being Compared

| Operating mode             | Register Value  |
|----------------------------|---|
| 8-bit timer/event counter  | $1 \leq (TTREGn) \leq 255$  |
| 8-bit PDO                  | $1 \leq (TTREGn) \leq 255$  |
| 8-bit PWM                  | $2 \leq (PWREGn) \leq 254$  |
| 16-bit timer/event counter | $1 \leq (TTREG6, 5) \leq 65535$   |
| Warm-up counter            | $256 \leq (TTREG6, 5) \leq 65535$   |
| 16-bit PWM                 | $2 \leq (PWREG6, 5) \leq 65534$   |
| 16-bit PPG                 | $1 \leq (PWREG6, 5) < (TTREG6, 5) \leq 65535$<br>and<br>$(PWREG6, 5) + 1 < (TTREG6, 5)$ |

Note: n = 5 to 6

### 9.3 Function

The TimerCounter 5 and 6 have the 8-bit timer, 8-bit event counter, 8-bit programmable divider output (PDO), 8-bit pulse width modulation (PWM) output modes. The TimerCounter 5 and 6 (TC5, 6) are cascadable to form a 16-bit timer. The 16-bit timer has the operating modes such as the 16-bit timer, 16-bit event counter, warm-up counter, 16-bit pulse width modulation (PWM) output and 16-bit programmable pulse generation (PPG) modes.

#### 9.3.1 8-Bit Timer Mode (TC5 and 6)

In the timer mode, the up-counter counts up using the internal clock. When a match between the up-counter and the timer register *j* (TTREG<sub>*j*</sub>) value is detected, an INTTC<sub>*j*</sub> interrupt is generated and the up-counter is cleared. After being cleared, the up-counter restarts counting.

Note 1: In the timer mode, fix TC<sub>*j*</sub>CR<TFF<sub>*j*</sub>> to 0. If not fixed, the  $\overline{PDO_j}$ ,  $\overline{PWM_j}$  and  $\overline{PPG_j}$  pins may output pulses.

Note 2: In the timer mode, do not change the TTREG<sub>*j*</sub> setting while the timer is running. Since TTREG<sub>*j*</sub> is not in the shift register configuration in the timer mode, the new value programmed in TTREG<sub>*j*</sub> is in effect immediately after the programming. Therefore, if TTREG<sub>*i*</sub> is changed while the timer is running, an expected operation may not be obtained.

Note 3: *j* = 5, 6

Table 9-4 Source Clock for TimerCounter 5, 6 (Internal Clock)

| Source Clock                               |   | SLOW1/2,<br>SLEEP1/2<br>mode              | Resolution                    |                                   | Repeated Cycle                |                                   |
|--|---|---|-------------------------------|-----------------------------------|-------------------------------|-----------------------------------|
| NORMAL1/2, IDLE1/2 mode                    |   |   | <i>f<sub>c</sub></i> = 16 MHz | <i>f<sub>s</sub></i> = 32.768 kHz | <i>f<sub>c</sub></i> = 16 MHz | <i>f<sub>s</sub></i> = 32.768 kHz |
| DV7CK = 0                                  | DV7CK = 1                                 |   |                               |                                   |                               |                                   |
| <i>f<sub>c</sub></i> /2 <sup>11</sup> [Hz] | <i>f<sub>s</sub></i> /2 <sup>3</sup> [Hz] | <i>f<sub>s</sub></i> /2 <sup>3</sup> [Hz] | 128 μs                        | 244.14 μs                         | 32.6 ms                       | 62.3 ms                           |
| <i>f<sub>c</sub></i> /2 <sup>7</sup>       | <i>f<sub>c</sub></i> /2 <sup>7</sup>      | –   | 8 μs                          | –                                 | 2.0 ms                        | –                                 |
| <i>f<sub>c</sub></i> /2 <sup>5</sup>       | <i>f<sub>c</sub></i> /2 <sup>5</sup>      | –   | 2 μs                          | –                                 | 510 μs                        | –                                 |
| <i>f<sub>c</sub></i> /2 <sup>3</sup>       | <i>f<sub>c</sub></i> /2 <sup>3</sup>      | –   | 500 ns                        | –                                 | 127.5 μs                      | –                                 |

Example :Setting the timer mode with source clock *f<sub>c</sub>*/2<sup>7</sup> Hz and generating an interrupt 80 μs later (TimerCounter6, *f<sub>c</sub>* = 16.0 MHz)

```
LD      (TTREG6), 0AH      : Sets the timer register (80 μs÷27/fc = 0AH).
DI
SET     (EIRH). 5         : Enables INTTC6 interrupt.
EI
LD      (TC6CR), 0001000B  : Sets the operating clock to fc/27, and 8-bit timer mode.
LD      (TC6CR), 00011000B : Starts TC6.
```

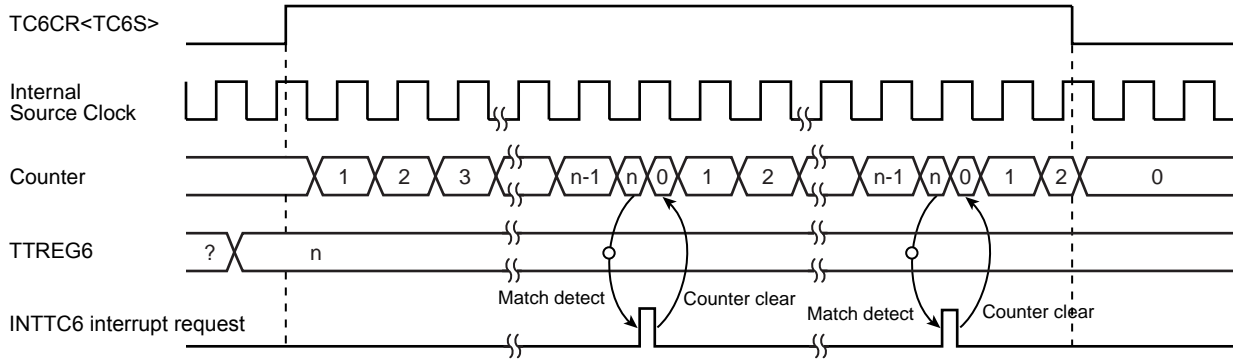


Figure 9-2 8-Bit Timer Mode Timing Chart (TC6)

### 9.3.2 8-Bit Event Counter Mode (TC5, 6)

In the 8-bit event counter mode, the up-counter counts up at the falling edge of the input pulse to the TCj pin. When a match between the up-counter and the TTREGj value is detected, an INTTCj interrupt is generated and the up-counter is cleared. After being cleared, the up-counter restarts counting at the falling edge of the input pulse to the TCj pin. Two machine cycles are required for the low- or high-level pulse input to the TCj pin. Therefore, a maximum frequency to be supplied is  $f_c/2^4$  Hz in the NORMAL1/2 or IDLE1/2 mode, and  $f_s/2^4$  Hz in the SLOW1/2 or SLEEP1/2 mode.

Note 1: In the event counter mode, fix TCjCR<TFFj> to 0. If not fixed, the  $\overline{PDOj}$ ,  $\overline{PWMj}$  and  $\overline{PPGj}$  pins may output pulses.

Note 2: In the event counter mode, do not change the TTREGj setting while the timer is running. Since TTREGj is not in the shift register configuration in the event counter mode, the new value programmed in TTREGj is in effect immediately after the programming. Therefore, if TTREGj is changed while the timer is running, an expected operation may not be obtained.

Note 3: j = 5, 6

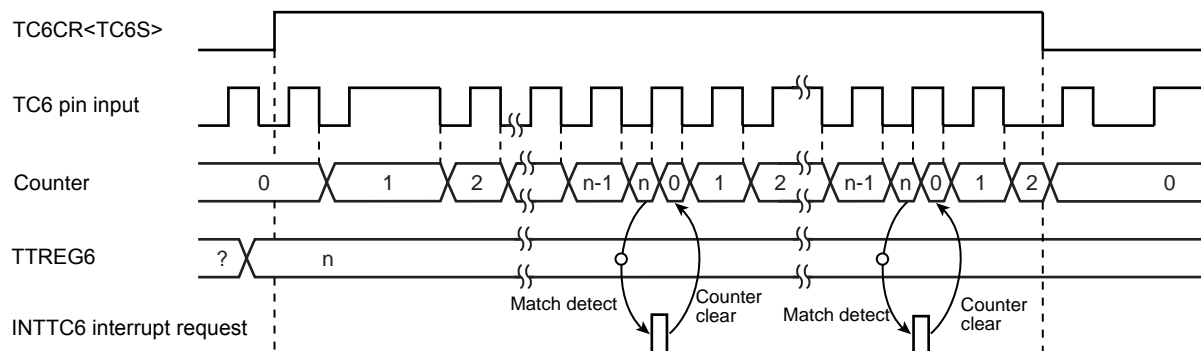


Figure 9-3 8-Bit Event Counter Mode Timing Chart (TC6)

### 9.3.3 8-Bit Programmable Divider Output (PDO) Mode (TC5, 6)

This mode is used to generate a pulse with a 50% duty cycle from the  $\overline{PDOj}$  pin.

In the PDO mode, the up-counter counts up using the internal clock. When a match between the up-counter and the TTREGj value is detected, the logic level output from the  $\overline{PDOj}$  pin is switched to the opposite state and the up-counter is cleared. The INTTCj interrupt request is generated at the time. The logic state opposite to the timer F/Fj logic level is output from the  $\overline{PDOj}$  pin. An arbitrary value can be set to the timer F/Fj by TCjCR<TFFj>. Upon reset, the timer F/Fj value is initialized to 0.

To use the programmable divider output, set the output latch of the I/O port to 1.

Example :Generating 1024 Hz pulse using TC6 (fc = 16.0 MHz)

| Setting port |                    |  |
|--------------|--------------------|--|
| LD           | (TTREG6), 3DH      | : $1/1024 \div 2^7 / fc \div 2 = 3DH$                        |
| LD           | (TC6CR), 00010001B | : Sets the operating clock to $fc/2^7$ , and 8-bit PDO mode. |
| LD           | (TC6CR), 00011001B | : Starts TC6.  |

Note 1: In the programmable divider output mode, do not change the TTREGj setting while the timer is running. Since TTREGj is not in the shift register configuration in the programmable divider output mode, the new value programmed in TTREGj is in effect immediately after programming. Therefore, if TTREGi is changed while the timer is running, an expected operation may not be obtained.

Note 2: When the timer is stopped during PDO output, the  $\overline{PDOj}$  pin holds the output status when the timer is stopped. To change the output status, program TCjCR<TFFj> after the timer is stopped. Do not change the TCjCR<TFFj> setting upon stopping of the timer.

Example: Fixing the  $\overline{PDOj}$  pin to the high level when the TimerCounter is stopped

CLR (TCjCR).3: Stops the timer.

CLR (TCjCR).7: Sets the  $\overline{PDOj}$  pin to the high level.

Note 3: j = 5, 6



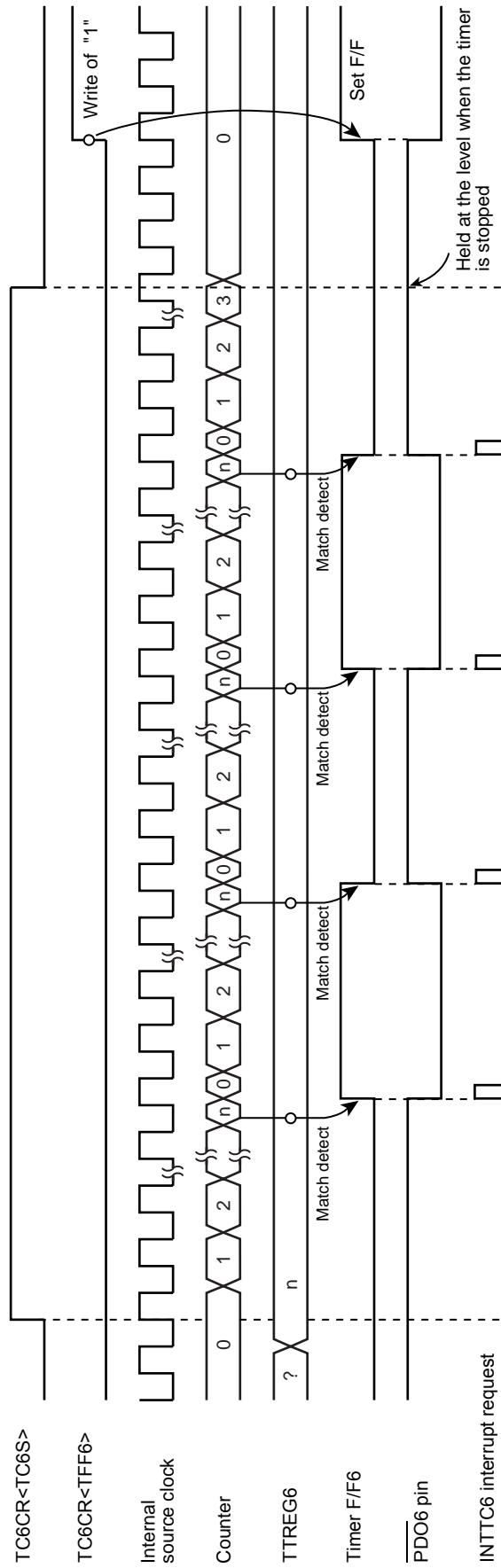


Figure 9-4 8-Bit PDO Mode Timing Chart (TC6)



### 9.3.4 8-Bit Pulse Width Modulation (PWM) Output Mode (TC5, 6)

This mode is used to generate a pulse-width modulated (PWM) signals with up to 8 bits of resolution. The up-counter counts up using the internal clock.

When a match between the up-counter and the PWREGj value is detected, the logic level output from the timer F/Fj is switched to the opposite state. The counter continues counting. The logic level output from the timer F/Fj is switched to the opposite state again by the up-counter overflow, and the counter is cleared. The INTTCj interrupt request is generated at this time.

Since the initial value can be set to the timer F/Fj by TCjCR<TFFj>, positive and negative pulses can be generated. Upon reset, the timer F/Fj is cleared to 0.

(The logic level output from the  $\overline{\text{PWMj}}$  pin is the opposite to the timer F/Fj logic level.)

Since PWREGj in the PWM mode is serially connected to the shift register, the value set to PWREGj can be changed while the timer is running. The value set to PWREGj during a run of the timer is shifted by the INTTCj interrupt request and loaded into PWREGj. While the timer is stopped, the value is shifted immediately after the programming of PWREGj. If executing the read instruction to PWREGj during PWM output, the value in the shift register is read, but not the value set in PWREGj. Therefore, after writing to PWREGj, the reading data of PWREGj is previous value until INTTCj is generated.

For the pin used for PWM output, the output latch of the I/O port must be set to 1.

Note 1: In the PWM mode, program the timer register PWREGj immediately after the INTTCj interrupt request is generated (normally in the INTTCj interrupt service routine.) If the programming of PWREGj and the interrupt request occur at the same time, an unstable value is shifted, that may result in generation of the pulse different from the programmed value until the next INTTCj interrupt request is generated.

Note 2: When the timer is stopped during PWM output, the  $\overline{\text{PWMj}}$  pin holds the output status when the timer is stopped. To change the output status, program TCjCR<TFFj> after the timer is stopped. Do not change the TCjCR<TFFj> upon stopping of the timer.

Example: Fixing the  $\overline{\text{PWMj}}$  pin to the high level when the TimerCounter is stopped

CLR (TCjCR).3: Stops the timer.

CLR (TCjCR).7: Sets the  $\overline{\text{PWMj}}$  pin to the high level.

Note 3: To enter the STOP mode during PWM output, stop the timer and then enter the STOP mode. If the STOP mode is entered without stopping the timer when fc, fc/2 or fs is selected as the source clock, a pulse is output from the  $\overline{\text{PWMj}}$  pin during the warm-up period time after exiting the STOP mode.

Note 4: j = 5, 6

Table 9-5 PWM Output Mode

| Source Clock            |               | SLOW1/2,<br>SLEEP1/2<br>mode | Resolution   |                 | Repeated Cycle |                 |
|-------------------------|---------------|------------------------------|--------------|-----------------|----------------|-----------------|
| NORMAL1/2, IDLE1/2 mode |               |                              | fc = 16 MHz  | fs = 32.768 kHz | fc = 16 MHz    | fs = 32.768 kHz |
| DV7CK = 0               | DV7CK = 1     |                              |              |                 |                |                 |
| $fc/2^{11}$ [Hz]        | $fs/2^3$ [Hz] | $fs/2^3$ [Hz]                | 128 $\mu$ s  | 244.14 $\mu$ s  | 32.8 ms        | 62.5 ms         |
| $fc/2^7$                | $fc/2^7$      | –                            | 8 $\mu$ s    | –               | 2.05 ms        | –               |
| $fc/2^5$                | $fc/2^5$      | –                            | 2 $\mu$ s    | –               | 512 $\mu$ s    | –               |
| $fc/2^3$                | $fc/2^3$      | –                            | 500 ns       | –               | 128 $\mu$ s    | –               |
| fs                      | fs            | fs                           | 30.5 $\mu$ s | 30.5 $\mu$ s    | 7.81 ms        | 7.81 ms         |
| fc/2                    | fc/2          | –                            | 125 ns       | –               | 32 $\mu$ s     | –               |
| fc                      | fc            | –                            | 62.5 ns      | –               | 16 $\mu$ s     | –               |

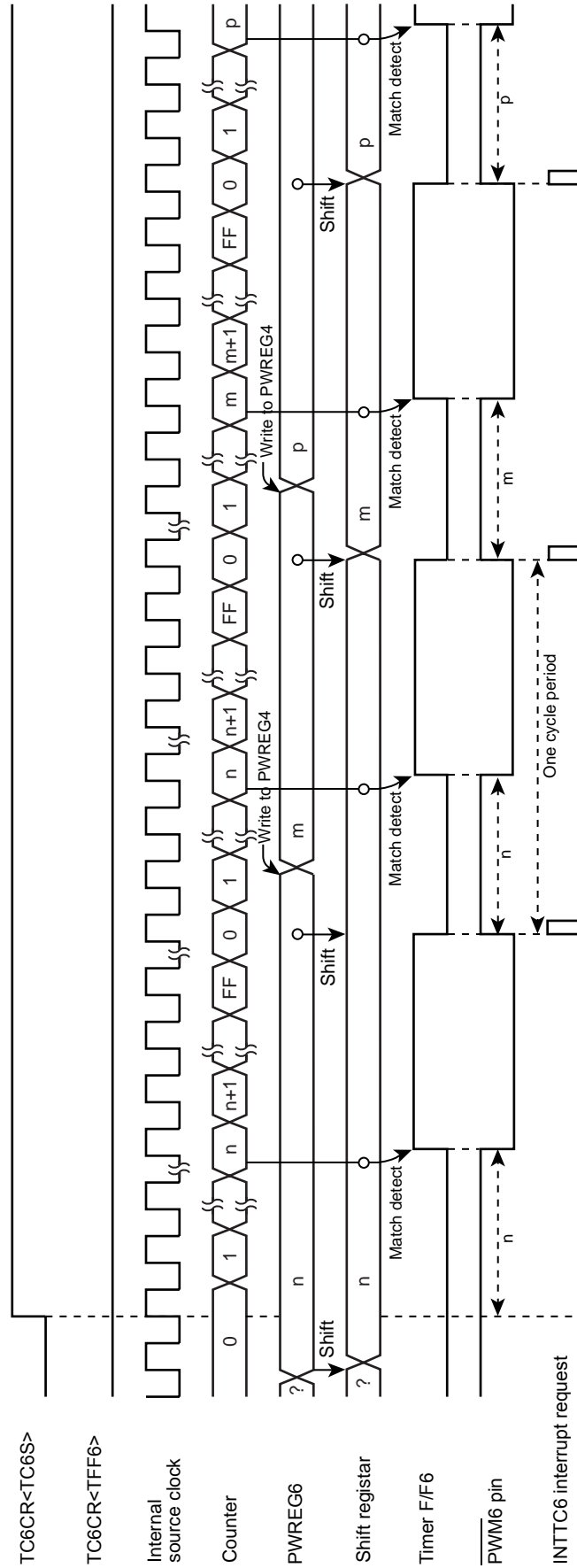


Figure 9-5 8-Bit PWM Mode Timing Chart (TC6)

### 9.3.5 16-Bit Timer Mode (TC5 and 6)

In the timer mode, the up-counter counts up using the internal clock. The TimerCounter 5 and 6 are cascadable to form a 16-bit timer.

When a match between the up-counter and the timer register (TTREG5, TTREG6) value is detected after the timer is started by setting TC6CR<TC6S> to 1, an INTTC6 interrupt is generated and the up-counter is cleared. After being cleared, the up-counter continues counting. Program the upper byte and lower byte in this order in the timer register. (Programming only the upper or lower byte should not be attempted.)

Note 1: In the timer mode, fix TCjCR<TFFj> to 0. If not fixed, the  $\overline{P\bar{D}O_j}$ ,  $\overline{P\bar{W}M_j}$ , and  $\overline{P\bar{P}G_j}$  pins may output a pulse.

Note 2: In the timer mode, do not change the TTREGj setting while the timer is running. Since TTREGj is not in the shift register configuration in the timer mode, the new value programmed in TTREGj is in effect immediately after programming of TTREGj. Therefore, if TTREGj is changed while the timer is running, an expected operation may not be obtained.

Note 3: j = 5, 6

Table 9-6 Source Clock for 16-Bit Timer Mode

| Source Clock            |                   | SLOW1/2, SLEEP1/2 mode | Resolution |             | Repeated Cycle  |             |
|-------------------------|-------------------|------------------------|------------|-------------|-----------------|-------------|
| NORMAL1/2, IDLE1/2 mode | DV7CK = 0         |                        | DV7CK = 1  | fc = 16 MHz | fs = 32.768 kHz | fc = 16 MHz |
| fc/2 <sup>11</sup>      | fs/2 <sup>3</sup> | fs/2 <sup>3</sup>      | 128 μs     | 244.14 μs   | 8.39 s          | 16 s        |
| fc/2 <sup>7</sup>       | fc/2 <sup>7</sup> | –                      | 8 μs       | –           | 524.3 ms        | –           |
| fc/2 <sup>5</sup>       | fc/2 <sup>5</sup> | –                      | 2 μs       | –           | 131.1 ms        | –           |
| fc/2 <sup>3</sup>       | fc/2 <sup>3</sup> | –                      | 500 ns     | –           | 32.8 ms         | –           |

Example :Setting the timer mode with source clock  $fc/2^7$  Hz, and generating an interrupt 300 ms later (fc = 16.0 MHz)

- LDW (TTREG5), 927CH : Sets the timer register (300 ms =  $2^7 / fc = 927CH$ ).
- DI
- SET (EIRH), 5 : Enables INTTC6 interrupt.
- EI
- LD (TC5CR), 13H : Sets the operating clock to  $fc/2^7$ , and 16-bit timer mode (lower byte).
- LD (TC6CR), 04H : Sets the 16-bit timer mode (upper byte).
- LD (TC6CR), 0CH : Starts the timer.

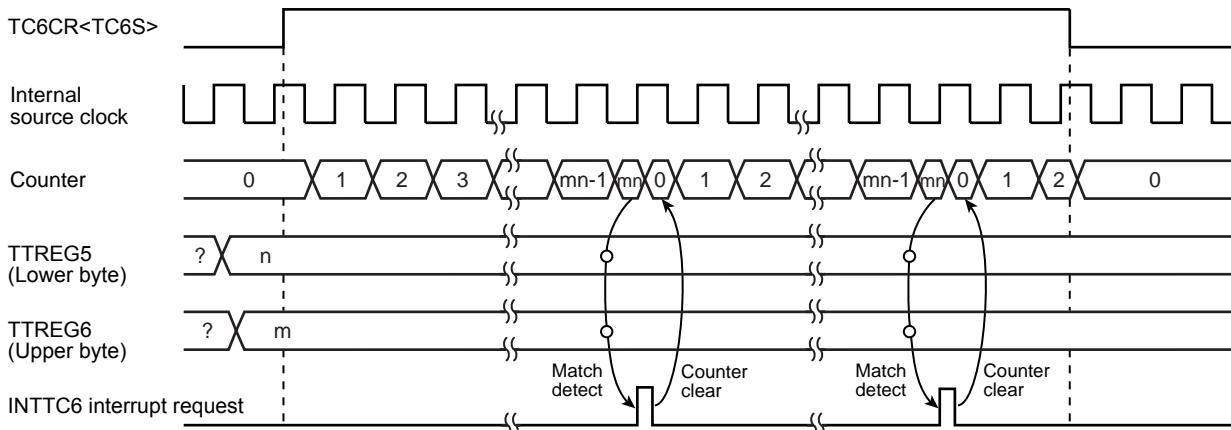


Figure 9-6 16-Bit Timer Mode Timing Chart (TC5 and TC6)

### 9.3.6 16-Bit Event Counter Mode (TC5 and 6)

In the event counter mode, the up-counter counts up at the falling edge to the TC5 pin. The TimerCounter 5 and 6 are cascadable to form a 16-bit event counter.

When a match between the up-counter and the timer register (TTREG5, TTREG6) value is detected after the timer is started by setting TC6CR<TC6S> to 1, an INTTC6 interrupt is generated and the up-counter is cleared.

After being cleared, the up-counter restarts counting at the falling edge of the input pulse to the TC5 pin. Two machine cycles are required for the low- or high-level pulse input to the TC5 pin.

Therefore, a maximum frequency to be supplied is  $f_c/2^4$  Hz in the NORMAL1 or IDLE1 mode, and  $f_s/2^4$  in the SLOW1/2 or SLEEP1/2 mode. Program the lower byte (TTREG5), and upper byte (TTREG6) in this order in the timer register. (Programming only the upper or lower byte should not be attempted.)

Note 1: In the event counter mode, fix TCjCR<TFFj> to 0. If not fixed, the  $\overline{PDOj}$ ,  $\overline{PWMj}$  and  $\overline{PPGj}$  pins may output pulses.

Note 2: In the event counter mode, do not change the TTREGj setting while the timer is running. Since TTREGj is not in the shift register configuration in the event counter mode, the new value programmed in TTREGj is in effect immediately after the programming. Therefore, if TTREGj is changed while the timer is running, an expected operation may not be obtained.

Note 3: j = 5, 6

### 9.3.7 16-Bit Pulse Width Modulation (PWM) Output Mode (TC5 and 6)

This mode is used to generate a pulse-width modulated (PWM) signals with up to 16 bits of resolution. The TimerCounter 5 and 6 are cascadable to form the 16-bit PWM signal generator.

The counter counts up using the internal clock or external clock.

When a match between the up-counter and the timer register (PWREG5, PWREG6) value is detected, the logic level output from the timer F/F6 is switched to the opposite state. The counter continues counting. The logic level output from the timer F/F6 is switched to the opposite state again by the counter overflow, and the counter is cleared. The INTTC6 interrupt is generated at this time.

Two machine cycles are required for the high- or low-level pulse input to the TC5 pin. Therefore, a maximum frequency to be supplied is  $f_c/2^4$  Hz in the NORMAL1 or IDLE1 mode, and  $f_s/2^4$  to in the SLOW1/2 or SLEEP1/2 mode.

Since the initial value can be set to the timer F/F6 by TC6CR<TFF6>, positive and negative pulses can be generated. Upon reset, the timer F/F6 is cleared to 0.

(The logic level output from the  $\overline{PWM6}$  pin is the opposite to the timer F/F6 logic level.)

Since PWREG6 and 5 in the PWM mode are serially connected to the shift register, the values set to PWREG6 and 5 can be changed while the timer is running. The values set to PWREG6 and 5 during a run of the timer are shifted by the INTTCj interrupt request and loaded into PWREG6 and 5. While the timer is stopped, the values are shifted immediately after the programming of PWREG6 and 5. Set the lower byte (PWREG5) and upper byte (PWREG5) in this order to program PWREG6 and 5. (Programming only the lower or upper byte of the register should not be attempted.)

If executing the read instruction to PWREG6 and 5 during PWM output, the values set in the shift register is read, but not the values set in PWREG6 and 5. Therefore, after writing to the PWREG6 and 5, reading data of PWREG6 and 5 is previous value until INTTC6 is generated.

For the pin used for PWM output, the output latch of the I/O port must be set to 1.

Note 1: In the PWM mode, program the timer register PWREG6 and 5 immediately after the INTTC6 interrupt request is generated (normally in the INTTC6 interrupt service routine.) If the programming of PWREGj and the interrupt request occur at the same time, an unstable value is shifted, that may result in generation of pulse different from the programmed value until the next INTTC6 interrupt request is generated.

Note 2: When the timer is stopped during PWM output, the  $\overline{PWM6}$  pin holds the output status when the timer is stopped. To change the output status, program TC6CR<TFF6> after the timer is stopped. Do not program TC6CR<TFF6> upon stopping of the timer.

Example: Fixing the  $\overline{PWM6}$  pin to the high level when the TimerCounter is stopped

CLR (TC6CR).3: Stops the timer.  
 CLR (TC6CR).7 : Sets the  $\overline{PWM6}$  pin to the high level.

Note 3: To enter the STOP mode, stop the timer and then enter the STOP mode. If the STOP mode is entered without stopping of the timer when  $f_c$ ,  $f_c/2$  or  $f_s$  is selected as the source clock, a pulse is output from the  $\overline{PWM6}$  pin during the warm-up period time after exiting the STOP mode.

Table 9-7 16-Bit PWM Output Mode

| Source Clock            |                        | SLOW1/2,<br>SLEEP1/2<br>mode | Resolution         |                        | Repeated Cycle             |                        |
|-------------------------|------------------------|------------------------------|--------------------|------------------------|----------------------------|------------------------|
| NORMAL1/2, IDLE1/2 mode | DV7CK = 0              |                              | DV7CK = 1          | $f_c = 16 \text{ MHz}$ | $f_s = 32.768 \text{ kHz}$ | $f_c = 16 \text{ MHz}$ |
| $f_c/2^{11}$            | $f_s/2^3 \text{ [Hz]}$ | $f_s/2^3 \text{ [Hz]}$       | 128 $\mu\text{s}$  | 244.14 $\mu\text{s}$   | 8.39 s                     | 16 s                   |
| $f_c/2^7$               | $f_c/2^7$              | –                            | 8 $\mu\text{s}$    | –                      | 524.3 ms                   | –                      |
| $f_c/2^5$               | $f_c/2^5$              | –                            | 2 $\mu\text{s}$    | –                      | 131.1 ms                   | –                      |
| $f_c/2^3$               | $f_c/2^3$              | –                            | 500ns              | –                      | 32.8 ms                    | –                      |
| $f_s$                   | $f_s$                  | $f_s$                        | 30.5 $\mu\text{s}$ | 30.5 $\mu\text{s}$     | 2 s                        | 2 s                    |
| $f_c/2$                 | $f_c/2$                | –                            | 125 ns             | –                      | 8.2 ms                     | –                      |
| $f_c$                   | $f_c$                  | –                            | 62.5 ns            | –                      | 4.1 ms                     | –                      |

Example :Generating a pulse with 1-ms high-level width and a period of 32.768 ms ( $f_c = 16.0 \text{ MHz}$ )

- Setting ports
- LDW (PWREG5), 07D0H : Sets the pulse width.
  - LD (TC5CR), 33H : Sets the operating clock to  $f_c/2^3$ , and 16-bit PWM output mode (lower byte).
  - LD (TC6CR), 056H : Sets TFF6 to the initial value 0, and 16-bit PWM signal generation mode (upper byte).
  - LD (TC6CR), 05EH : Starts the timer.

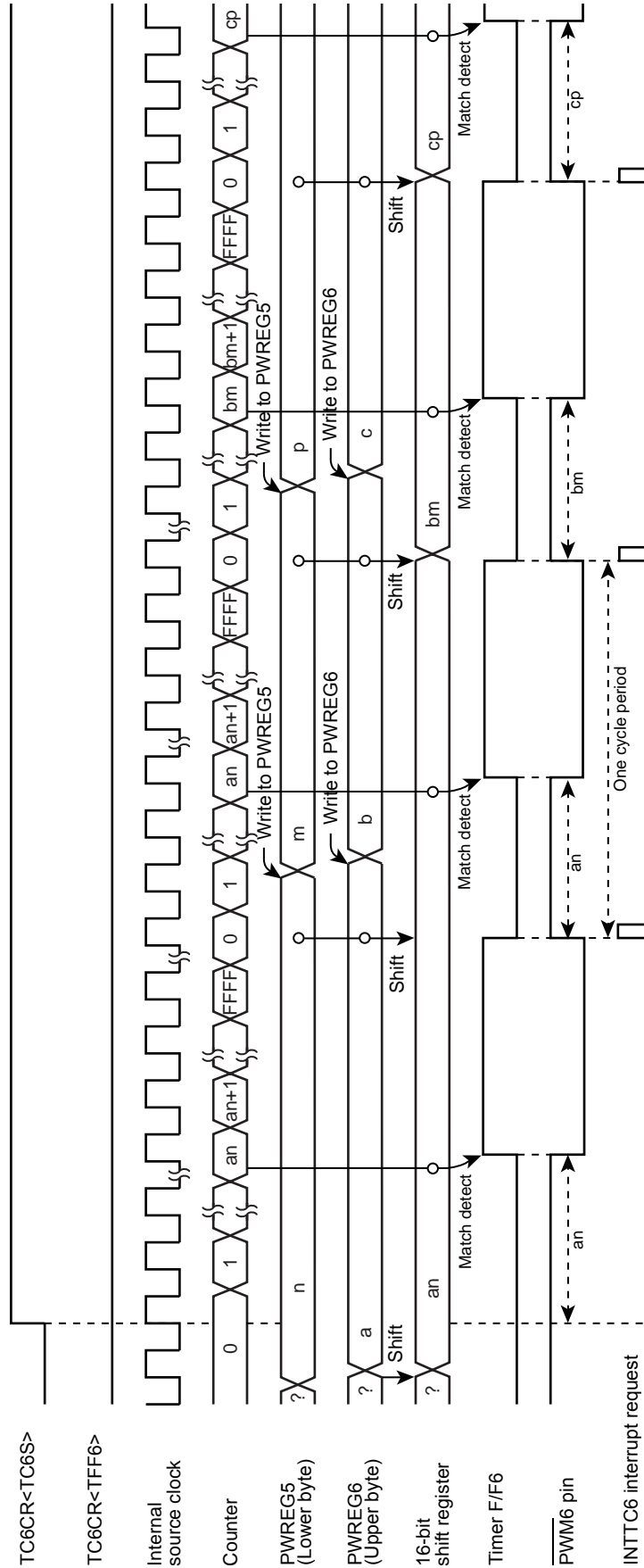


Figure 9-7 16-Bit PWM Mode Timing Chart (TC5 and TC6)

### 9.3.8 16-Bit Programmable Pulse Generate (PPG) Output Mode (TC5 and 6)

This mode is used to generate pulses with up to 16-bits of resolution. The timer counter 5 and 6 are cascaded to enter the 16-bit PPG mode.

The counter counts up using the internal clock or external clock. When a match between the up-counter and the timer register (PWREG5, PWREG6) value is detected, the logic level output from the timer F/F6 is switched to the opposite state. The counter continues counting. The logic level output from the timer F/F6 is switched to the opposite state again when a match between the up-counter and the timer register (TTREG5, TTREG6) value is detected, and the counter is cleared. The INTTC6 interrupt is generated at this time.

Two machine cycles are required for the high- or low-level pulse input to the TC5 pin. Therefore, a maximum frequency to be supplied is  $fc/2^4$  Hz in the NORMAL1 or IDLE1 mode, and  $fc/2^4$  to in the SLOW1/2 or SLEEP1/2 mode.

Since the initial value can be set to the timer F/F6 by TC6CR<TFF6>, positive and negative pulses can be generated. Upon reset, the timer F/F6 is cleared to 0.

(The logic level output from the  $\overline{PPG6}$  pin is the opposite to the timer F/F6.)

Set the lower byte and upper byte in this order to program the timer register. (TTREG5 → TTREG6, PWREG5 → PWREG6) (Programming only the upper or lower byte should not be attempted.)

For PPG output, set the output latch of the I/O port to 1.

Example :Generating a pulse with 1-ms high-level width and a period of 16.385 ms ( $fc = 16.0$  MHz)

| Setting ports |                 |  |
|---------------|-----------------|--|
| LDW           | (PWREG5), 07D0H | : Sets the pulse width.  |
| LDW           | (TTREG5), 8002H | : Sets the cycle period.   |
| LD            | (TC5CR), 33H    | : Sets the operating clock to $fc/2^3$ , and 16-bit PPG mode (lower byte). |
| LD            | (TC6CR), 057H   | : Sets TFF6 to the initial value 0, and 16-bit PPG mode (upper byte).      |
| LD            | (TC6CR), 05FH   | : Starts the timer.  |

Note 1: In the PPG mode, do not change the PWREGi and TTREGi settings while the timer is running. Since PWREGi and TTREGi are not in the shift register configuration in the PPG mode, the new values programmed in PWREGi and TTREGi are in effect immediately after programming PWREGi and TTREGi. Therefore, if PWREGi and TTREGi are changed while the timer is running, an expected operation may not be obtained.

Note 2: When the timer is stopped during PPG output, the  $\overline{PPG6}$  pin holds the output status when the timer is stopped. To change the output status, program TC6CR<TFF6> after the timer is stopped. Do not change TC6CR<TFF6> upon stopping of the timer.

Example: Fixing the  $\overline{PPG6}$  pin to the high level when the TimerCounter is stopped

CLR (TC6CR).3: Stops the timer

CLR (TC6CR).7: Sets the  $\overline{PPG6}$  pin to the high level

Note 3: i = 5, 6

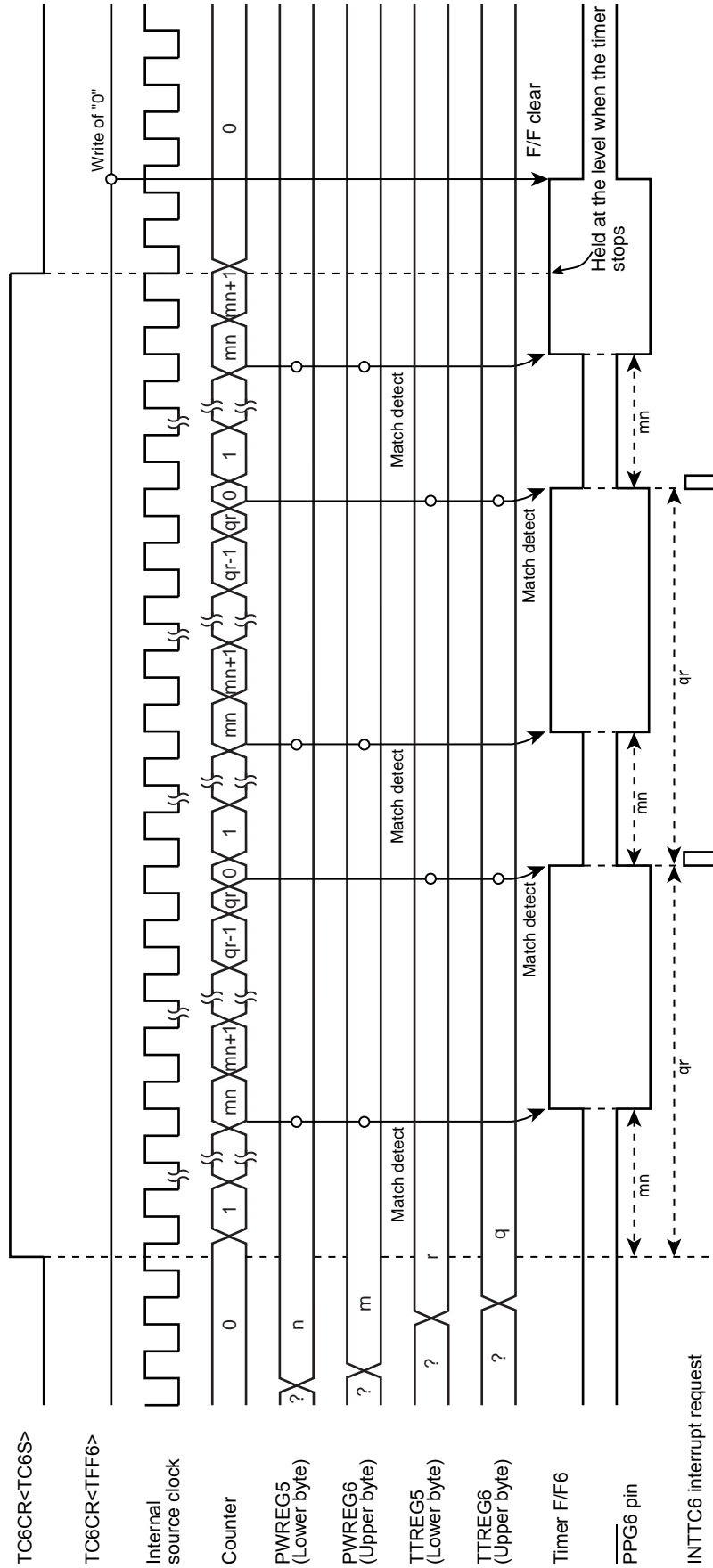


Figure 9-8 16-Bit PPG Mode Timing Chart (TC5 and TC60)



### 9.3.9 Warm-Up Counter Mode

In this mode, the warm-up period time is obtained to assure oscillation stability when the system clocking is switched between the high-frequency and low-frequency. The timer counter 5 and 6 are cascadable to form a 16-bit TimerCounter. The warm-up counter mode has two types of mode; switching from the high-frequency to low-frequency, and vice-versa.

Note 1: In the warm-up counter mode, fix TCiCR<TFFi> to 0. If not fixed, the  $\overline{P\text{DO}}_i$ ,  $\overline{P\text{WM}}_i$  and  $\overline{P\text{PG}}_i$  pins may output pulses.

Note 2: In the warm-up counter mode, only upper 8 bits of the timer register TTREG6 and 5 are used for match detection and lower 8 bits are not used.

Note 3: i = 5, 6

#### 9.3.9.1 Low-Frequency Warm-up Counter Mode (NORMAL1 → NORMAL2 → SLOW2 → SLOW1)

In this mode, the warm-up period time from a stop of the low-frequency clock fs to oscillation stability is obtained. Before starting the timer, set SYSCR2<XTEN> to 1 to oscillate the low-frequency clock. When a match between the up-counter and the timer register (TTREG6, 5) value is detected after the timer is started by setting TC6CR<TC6S> to 1, the counter is cleared by generating the INTTC6 interrupt request. After stopping the timer in the INTTC6 interrupt service routine, set SYSCR2<SYSCK> to 1 to switch the system clock from the high-frequency to low-frequency, and then clear of SYSCR2<XTEN> to 0 to stop the high-frequency clock.

Table 9-8 Setting Time of Low-Frequency Warm-Up Counter Mode (fs = 32.768 kHz)

| Maximum Time Setting<br>(TTREG6, 5 = 0100H) | Maximum Time Setting<br>(TTREG6, 5 = FF00H) |
|---|---|
| 7.81 ms                                     | 1.99 s                                      |

Example :After checking low-frequency clock oscillation stability with TC6 and 5, switching to the SLOW1 mode

```

SET      (SYSCR2).6      : SYSCR2<XTEN> ← 1
LD       (TC5CR), 43H    : Sets TFF5=0, source clock fs, and 16-bit mode.
LD       (TC6CR), 05H    : Sets TFF6=0, and warm-up counter mode.
LD       (TTREG5), 8000H : Sets the warm-up time.
                               (The warm-up time depends on the oscillator characteristic.)
DI       : IMF ← 0
SET      (EIRH). 5      : Enables the INTTC6.
EI       : IMF ← 1
SET      (TC6CR).3      : Starts TC6 and 5.
:       :
PINTTC6: CLR      (TC6CR).3 : Stops TC6 and 5.
SET      (SYSCR2).5      : SYSCR2<SYSCK> ← 1
                               (Switches the system clock to the low-frequency clock.)
CLR      (SYSCR2).7      : SYSCR2<XEN> ← 0 (Stops the high-frequency clock.)
RETI
:       :
VINTTC6: DW       PINTTC6 : INTTC6 vector table
    
```

### 9.3.9.2 High-Frequency Warm-Up Counter Mode (SLOW1 → SLOW2 → NORMAL2 → NORMAL1)

In this mode, the warm-up period time from a stop of the high-frequency clock  $f_c$  to the oscillation stability is obtained. Before starting the timer, set SYSCR2<XEN> to 1 to oscillate the high-frequency clock. When a match between the up-counter and the timer register (TTREG6, 5) value is detected after the timer is started by setting TC6CR<TC6S> to 1, the counter is cleared by generating the INTTC6 interrupt request. After stopping the timer in the INTTC6 interrupt service routine, clear SYSCR2<SYSCK> to 0 to switch the system clock from the low-frequency to high-frequency, and then SYSCR2<XTEN> to 0 to stop the low-frequency clock.

Table 9-9 Setting Time in High-Frequency Warm-Up Counter Mode

| Minimum time (TTREG6, 5 = 0100H) | Maximum time (TTREG6, 5 = FF00H) |
|----------------------------------|----------------------------------|
| 16 $\mu$ s                       | 4.08 ms                          |

Example :After checking high-frequency clock oscillation stability with TC6 and 5, switching to the NORMAL1 mode

```

SET      (SYSCR2).7      : SYSCR2<XEN> ← 1
LD       (TC5CR), 63H    : Sets TFF5=0, source clock  $f_s$ , and 16-bit mode.
LD       (TC6CR), 05H    : Sets TFF6=0, and warm-up counter mode.
LD       (TTREG5), 0F800H : Sets the warm-up time.
                                   (The warm-up time depends on the oscillator characteristic.)

DI       : IMF ← 0
SET      (EIRH). 5      : Enables the INTTC6.
EI       : IMF ← 1
SET      (TC6CR).3      : Starts the TC6 and 5.
:        :
PINTTC6: CLR      (TC6CR).3 : Stops the TC6 and 5.
CLR      (SYSCR2).5      : SYSCR2<SYSCK> ← 0
                                   (Switches the system clock to the high-frequency clock.)
CLR      (SYSCR2).6      : SYSCR2<XTEN> ← 0
                                   (Stops the low-frequency clock.)

RETI
:        :
VINTTC6: DW       PINTTC6 : INTTC6 vector table
    
```

# 10. Real-Time Clock

The TMP86CH22UG include a real time counter (RTC). A low-frequency clock can be used to provide a periodic interrupt (0.0625[s],0.125[s],0.25[s],0.50[s]) at a programmed interval, implement the clock function. The RTC can be used in the mode in which the low-frequency oscillator is active (except for the SLEEP0 mode).

## 10.1 Configuration

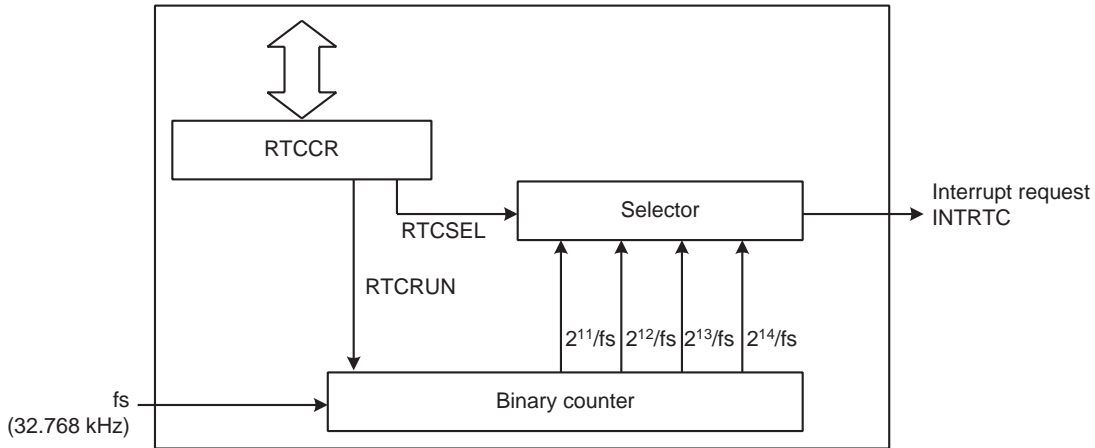


Figure 10-1 Configuration of the RTC

## 10.2 Control of the RTC

The RTC is controlled by the RTC control register (RTCCR).

### RTC Control Register

|                  |   |   |   |   |   |        |   |        |                            |
|------------------|---|---|---|---|---|--------|---|--------|----------------------------|
| RTCCR<br>(0017H) | 7 | 6 | 5 | 4 | 3 | 2      | 1 | 0      |                            |
|                  |   |   |   |   |   | RTCSEL |   | RTCRUN | (Initial value: **** *000) |

|        |  |   |     |
|--------|--|---|-----|
| RTCSEL | Interrupt generation period<br>(fs = 32.768 kHz) | 00: 0.50 [s]<br>01: 0.25 [s]<br>10: 0.125 [s]<br>11: 0.0625 [s] | R/W |
| RTCRUN | RTC control                                      | 0: Stops and clears the binary counter.<br>1: Starts counting   |     |

Note 1: Program the RTCCR during low-frequency oscillation (when SYSCR2<XTEN> = "1"). For selecting an interrupt generation period, program the RTCSEL when the timer is inactive (RTCRUN = "0"). During the timer operation, do not change the RTCSEL programming at the same moment the timer stops.

Note 2: The timer automatically stops, and this register is initialized (the timer's binary counter is also initialized) if one of the following operations is performed while the timer is active:

1. Stopping the low-frequency oscillation (with SYSCR2<XTEN> = "0")
2. When the TMP86CH22UG are put in STOP or SLEEP0 mode

Therefore, before activating the timer after releasing from STOP or SLEEP0 mode, reprogram the registers again.

Note 3: If a read instruction for RTCCR is executed, undefined value is set to bits 7 to 3.

Note 4: If break processing is performed on the debugger for the development tool during the timer operation, the timer stops counting (contents of the RTCCR isn't altered). When the break is cancelled, processing is restarted from the point at which it was suspended.

## 10.3 Function

The RTC counts up on the internal low-frequency clock. When RTCCR<RTCRUN> is set to “1”, the binary counter starts counting up. Each time the end of the period specified with RTCCR<RTCSEL> is detected, an INTRTC interrupt is generated, and the binary counter is cleared. The timer continues counting up even after the binary counter is cleared.

# 11. Asynchronous Serial interface (UART )

## 11.1 Configuration

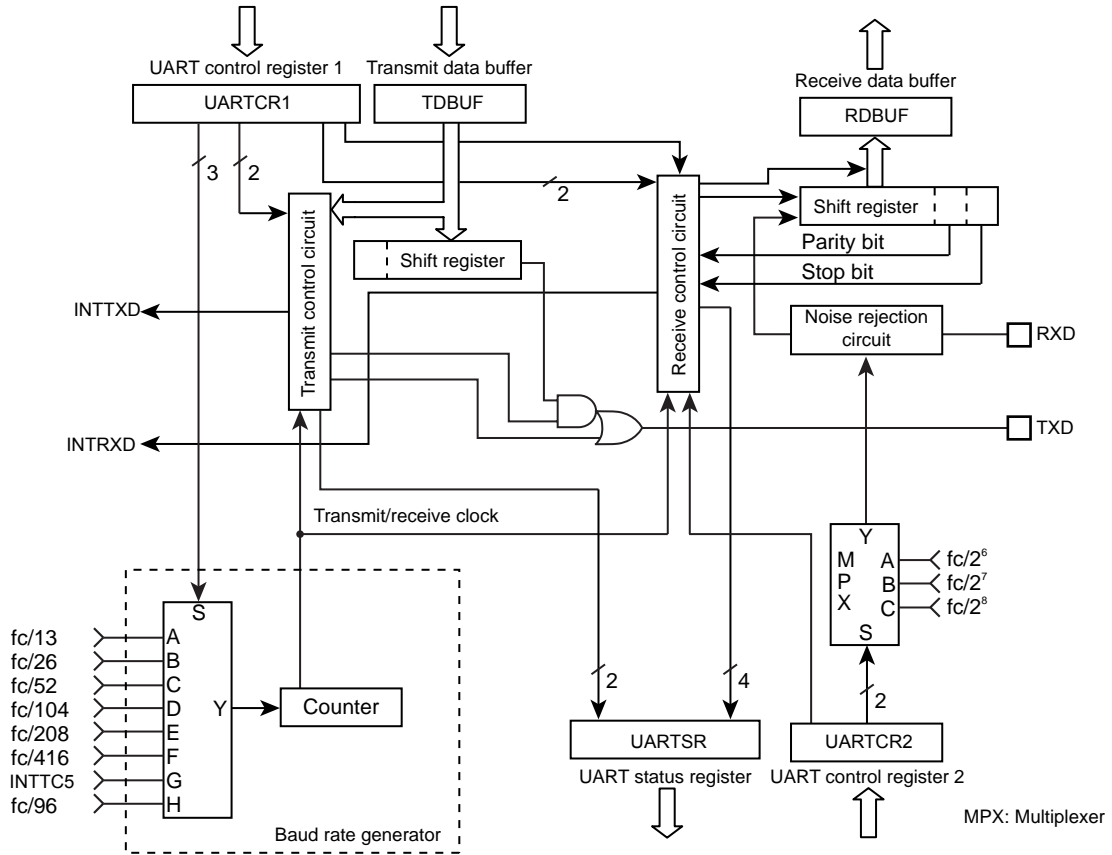


Figure 11-1 UART (Asynchronous Serial Interface)

## 11.2 Control

UART is controlled by the UART Control Registers (UARTCR1, UARTCR2). The operating status can be monitored using the UART status register (UARTSR).

### UART Control Register1

|                    |     |     |      |      |    |     |   |   |                            |
|--------------------|-----|-----|------|------|----|-----|---|---|----------------------------|
| UARTCR1<br>(0025H) | 7   | 6   | 5    | 4    | 3  | 2   | 1 | 0 |                            |
|                    | TXE | RXE | STBT | EVEN | PE | BRG |   |   | (Initial value: 0000 0000) |

|      |                          |  |            |
|------|--------------------------|--|------------|
| TXE  | Transfer operation       | 0: Disable<br>1: Enable  | Write only |
| RXE  | Receive operation        | 0: Disable<br>1: Enable  |            |
| STBT | Transmit stop bit length | 0: 1 bit<br>1: 2 bits  |            |
| EVEN | Even-numbered parity     | 0: Odd-numbered parity<br>1: Even-numbered parity  |            |
| PE   | Parity addition          | 0: No parity<br>1: Parity  |            |
| BRG  | Transmit clock select    | 000: fc/13 [Hz]<br>001: fc/26<br>010: fc/52<br>011: fc/104<br>100: fc/208<br>101: fc/416<br>110: TC5 ( Input INTTC5)<br>111: fc/96 |            |

Note 1: When operations are disabled by setting TXE and RXE bit to "0", the setting becomes valid when data transmit or receive complete. When the transmit data is stored in the transmit data buffer, the data are not transmitted. Even if data transmit is enabled, until new data are written to the transmit data buffer, the current data are not transmitted.

Note 2: The transmit clock and the parity are common to transmit and receive.

Note 3: UARTCR1<RXE> and UARTCR1<TXE> should be set to "0" before UARTCR1<BRG> is changed.

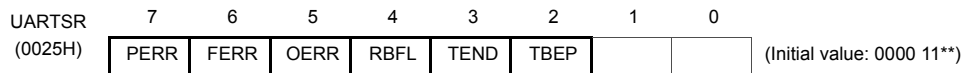
### UART Control Register2

|                    |   |   |   |   |   |       |        |   |                            |
|--------------------|---|---|---|---|---|-------|--------|---|----------------------------|
| UARTCR2<br>(0026H) | 7 | 6 | 5 | 4 | 3 | 2     | 1      | 0 |                            |
|                    |   |   |   |   |   | RXDNC | STOPBR |   | (Initial value: **** *000) |

|        |  |  |            |
|--------|--|--|------------|
| RXDNC  | Selection of RXD input noise rejectio time | 00: No noise rejection (Hysteresis input)<br>01: Rejects pulses shorter than 31/fc [s] as noise<br>10: Rejects pulses shorter than 63/fc [s] as noise<br>11: Rejects pulses shorter than 127/fc [s] as noise | Write only |
| STOPBR | Receive stop bit length                    | 0: 1 bit<br>1: 2 bits  |            |

Note: When UARTCR2<RXDNC> = "01", pulses longer than 96/fc [s] are always regarded as signals; when UARTCR2<RXDNC> = "10", longer than 192/fc [s]; and when UARTCR2<RXDNC> = "11", longer than 384/fc [s].

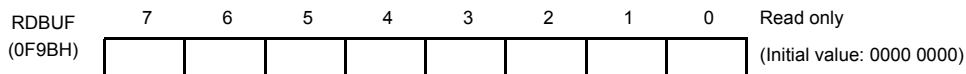
## UART Status Register



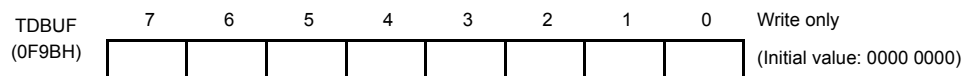
|      |                                 |   |           |
|------|---------------------------------|---|-----------|
| PERR | Parity error flag               | 0: No parity error<br>1: Parity error   | Read only |
| FERR | Framing error flag              | 0: No framing error<br>1: Framing error   |           |
| OERR | Overrun error flag              | 0: No overrun error<br>1: Overrun error   |           |
| RBFL | Receive data buffer full flag   | 0: Receive data buffer empty<br>1: Receive data buffer full                                       |           |
| TEND | Transmit end flag               | 0: On transmitting<br>1: Transmit end   |           |
| TBEP | Transmit data buffer empty flag | 0: Transmit data buffer full (Transmit data writing is finished)<br>1: Transmit data buffer empty |           |

Note: When an INTTXD is generated, TBEP flag is set to "1" automatically.

## UART Receive Data Buffer



## UART Transmit Data Buffer



### 11.3 Transfer Data Format

In UART, an one-bit start bit (Low level), stop bit (Bit length selectable at high level, by UARTCR1<STBT>), and parity (Select parity in UARTCR1<PE>; even- or odd-numbered parity by UARTCR1<EVEN>) are added to the transfer data. The transfer data formats are shown as follows.

| PE | STBT | Frame Length |   |   |  |   |   |    |    |    |  |
|----|------|--------------|---|---|--|---|---|----|----|----|--|
|    |      | 1            | 2 | 3 |  | 8 | 9 | 10 | 11 | 12 |  |
| 0  | 0    |              |   |   |  |   |   |    |    |    |  |
| 0  | 1    |              |   |   |  |   |   |    |    |    |  |
| 1  | 0    |              |   |   |  |   |   |    |    |    |  |
| 1  | 1    |              |   |   |  |   |   |    |    |    |  |

Figure 11-2 Transfer Data Format

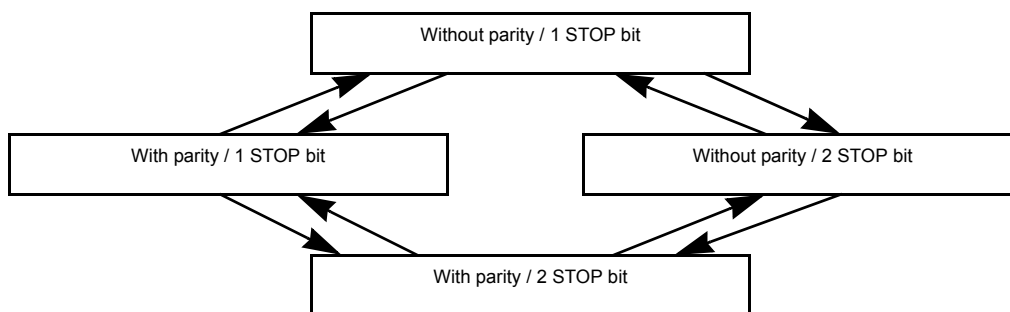


Figure 11-3 Caution on Changing Transfer Data Format

Note: In order to switch the transfer data format, perform transmit operations in the above Figure 11-3 sequence except for the initial setting.



### 11.4 Transfer Rate

The baud rate of UART is set of UARTCR1<BRG>. The example of the baud rate are shown as follows.

Table 11-1 Transfer Rate (Example)

| BRG | Source Clock |              |              |
|-----|--------------|--------------|--------------|
|     | 16 MHz       | 8 MHz        | 4 MHz        |
| 000 | 76800 [baud] | 38400 [baud] | 19200 [baud] |
| 001 | 38400        | 19200        | 9600         |
| 010 | 19200        | 9600         | 4800         |
| 011 | 9600         | 4800         | 2400         |
| 100 | 4800         | 2400         | 1200         |
| 101 | 2400         | 1200         | 600          |

When TC5 is used as the UART transfer rate (when UARTCR1<BRG> = “110”), the transfer clock and transfer rate are determined as follows:

$$\text{Transfer clock [Hz]} = \text{TC5 source clock [Hz]} / \text{TTREG5 setting value}$$

$$\text{Transfer Rate [baud]} = \text{Transfer clock [Hz]} / 16$$

### 11.5 Data Sampling Method

The UART receiver keeps sampling input using the clock selected by UARTCR1<BRG> until a start bit is detected in RXD pin input. RT clock starts detecting “L” level of the RXD pin. Once a start bit is detected, the start bit, data bits, stop bit(s), and parity bit are sampled at three times of RT7, RT8, and RT9 during one receiver clock interval (RT clock). (RT0 is the position where the bit supposedly starts.) Bit is determined according to majority rule (The data are the same twice or more out of three samplings).

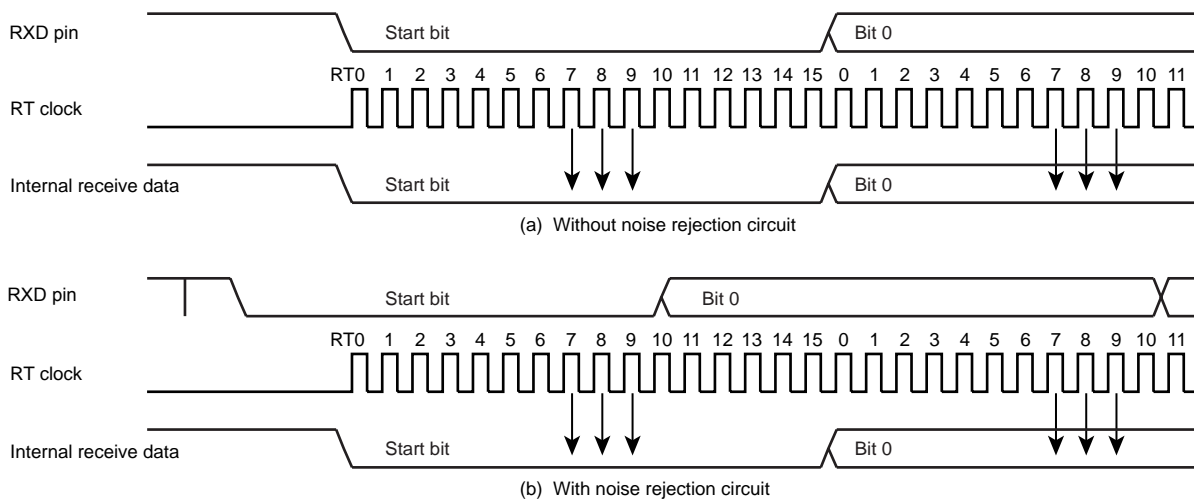


Figure 11-4 Data Sampling Method

---

## 11.6 STOP Bit Length

Select a transmit stop bit length (1 bit or 2 bits) by UARTCR1<STBT>.

## 11.7 Parity

Set parity / no parity by UARTCR1<PE> and set parity type (Odd- or Even-numbered) by UARTCR1<EVEN>.

## 11.8 Transmit/Receive Operation

### 11.8.1 Data Transmit Operation

Set UARTCR1<TXE> to “1”. Read UARTSR to check UARTSR<TBEP> = “1”, then write data in TDBUF (Transmit data buffer). Writing data in TDBUF zero-clears UARTSR<TBEP>, transfers the data to the transmit shift register and the data are sequentially output from the TXD pin. The data output include a one-bit start bit, stop bits whose number is specified in UARTCR1<STBT> and a parity bit if parity addition is specified. Select the data transfer baud rate using UARTCR1<BRG>. When data transmit starts, transmit buffer empty flag UARTSR<TBEP> is set to “1” and an INTTXD interrupt is generated.

While UARTCR1<TXE> = “0” and from when “1” is written to UARTCR1<TXE> to when send data are written to TDBUF, the TXD pin is fixed at high level.

When transmitting data, first read UARTSR, then write data in TDBUF. Otherwise, UARTSR<TBEP> is not zero-cleared and transmit does not start.

### 11.8.2 Data Receive Operation

Set UARTCR1<RXE> to “1”. When data are received via the RXD pin, the receive data are transferred to RDBUF (Receive data buffer). At this time, the data transmitted includes a start bit and stop bit(s) and a parity bit if parity addition is specified. When stop bit(s) are received, data only are extracted and transferred to RDBUF (Receive data buffer). Then the receive buffer full flag UARTSR<RBFL> is set and an INTRXD interrupt is generated. Select the data transfer baud rate using UARTCR1<BRG>.

If an overrun error (OERR) occurs when data are received, the data are not transferred to RDBUF (Receive data buffer) but discarded; data in the RDBUF are not affected.

Note: When a receive operation is disabled by setting UARTCR1<RXE> bit to “0”, the setting becomes valid when data receive is completed. However, if a framing error occurs in data receive, the receive-disabling setting may not become valid. If a framing error occurs, be sure to perform a re-receive operation.

## 11.9 Status Flag

### 11.9.1 Parity Error

When parity determined using the receive data bits differs from the received parity bit, the parity error flag UARTSR<PERR> is set to “1”. The UARTSR<PERR> is cleared to “0” when the RDBUF is read after reading the UARTSR.

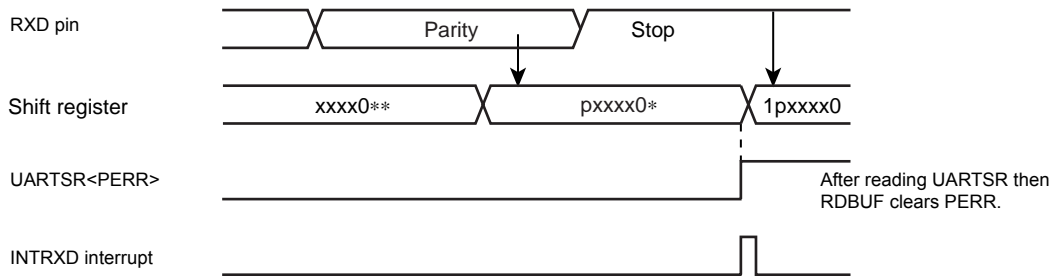


Figure 11-5 Generation of Parity Error

### 11.9.2 Framing Error

When “0” is sampled as the stop bit in the receive data, framing error flag UARTSR<FERR> is set to “1”. The UARTSR<FERR> is cleared to “0” when the RDBUF is read after reading the UARTSR.

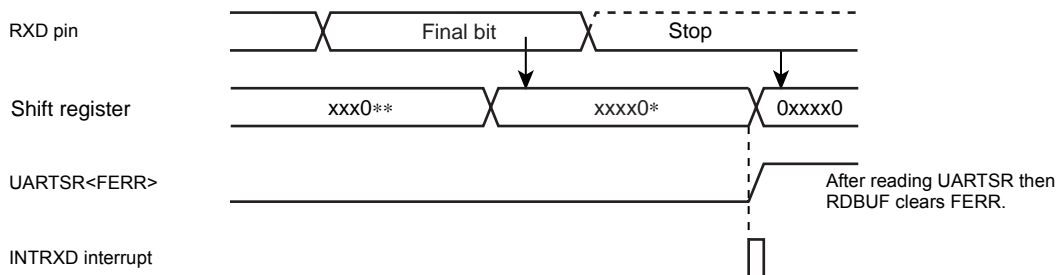


Figure 11-6 Generation of Framing Error

### 11.9.3 Overrun Error

When all bits in the next data are received while unread data are still in RDBUF, overrun error flag UARTSR<OERR> is set to “1”. In this case, the receive data is discarded; data in RDBUF are not affected. The UARTSR<OERR> is cleared to “0” when the RDBUF is read after reading the UARTSR.

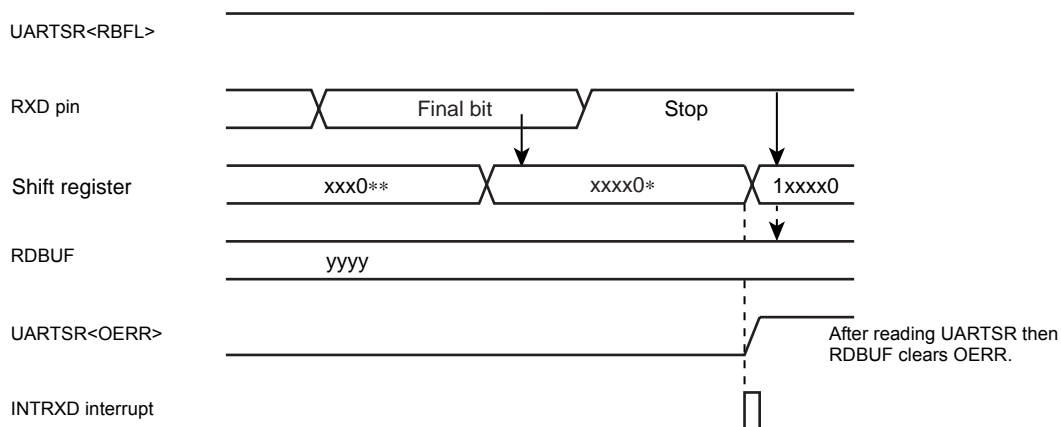


Figure 11-7 Generation of Overrun Error

Note: Receive operations are disabled until the overrun error flag UARTSR<OERR> is cleared.

#### 11.9.4 Receive Data Buffer Full

Loading the received data in RDBUF sets receive data buffer full flag UARTSR<RBFL> to "1". The UARTSR<RBFL> is cleared to "0" when the RDBUF is read after reading the UARTSR.

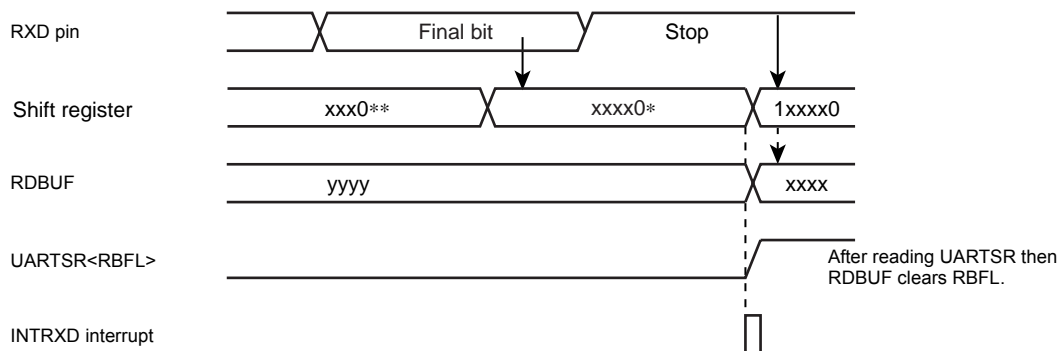


Figure 11-8 Generation of Receive Data Buffer Full

Note: If the overrun error flag UARTSR<OERR> is set during the period between reading the UARTSR and reading the RDBUF, it cannot be cleared by only reading the RDBUF. Therefore, after reading the RDBUF, read the UARTSR again to check whether or not the overrun error flag which should have been cleared still remains set.

#### 11.9.5 Transmit Data Buffer Empty

When no data is in the transmit buffer TDBUF, UARTSR<TBEP> is set to "1", that is, when data in TDBUF are transferred to the transmit shift register and data transmit starts, transmit data buffer empty flag UARTSR<TBEP> is set to "1". The UARTSR<TBEP> is cleared to "0" when the TDBUF is written after reading the UARTSR.

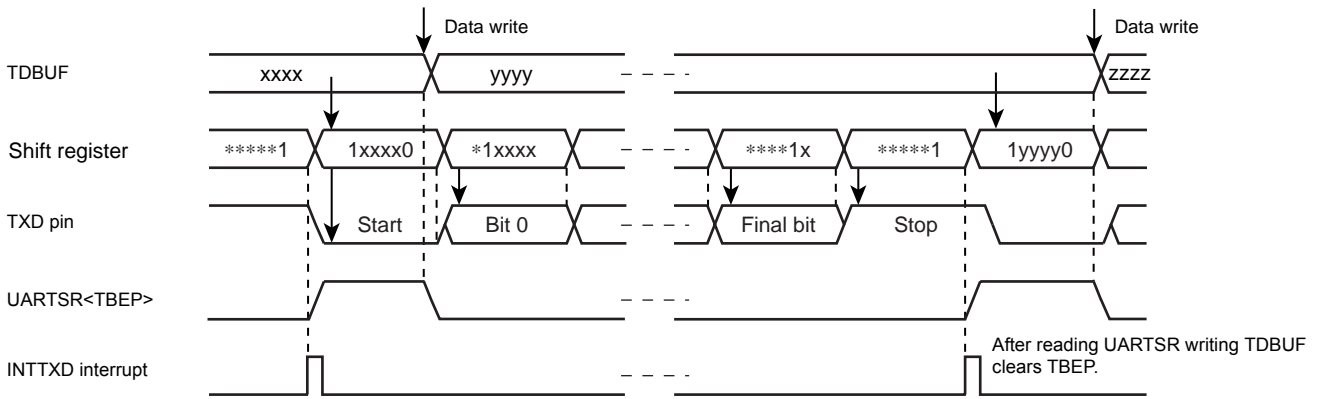


Figure 11-9 Generation of Transmit Data Buffer Empty

### 11.9.6 Transmit End Flag

When data are transmitted and no data is in TDBUF (UARTSR<TBEP> = “1”), transmit end flag UARTSR<TEND> is set to “1”. The UARTSR<TEND> is cleared to “0” when the data transmit is started after writing the TDBUF.

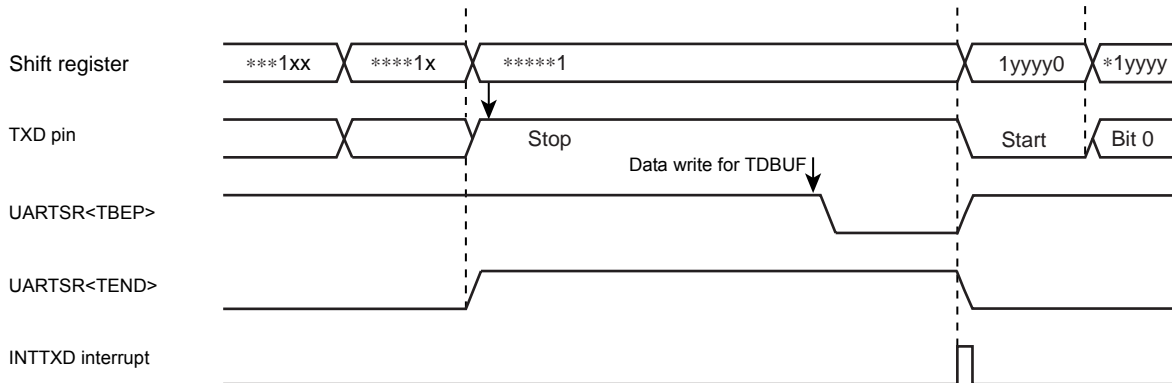


Figure 11-10 Generation of Transmit End Flag and Transmit Data Buffer Empty



## 12. Synchronous Serial Interface (SIO)

The TMP86CH22UG has a clocked-synchronous 8-bit serial interface. Serial interface has an 8-byte transmit and receive data buffer that can automatically and continuously transfer up to 64 bits of data.

Serial interface is connected to outside peripheral devices via SO, SI, SCK port.

### 12.1 Configuration

SIO control / status register

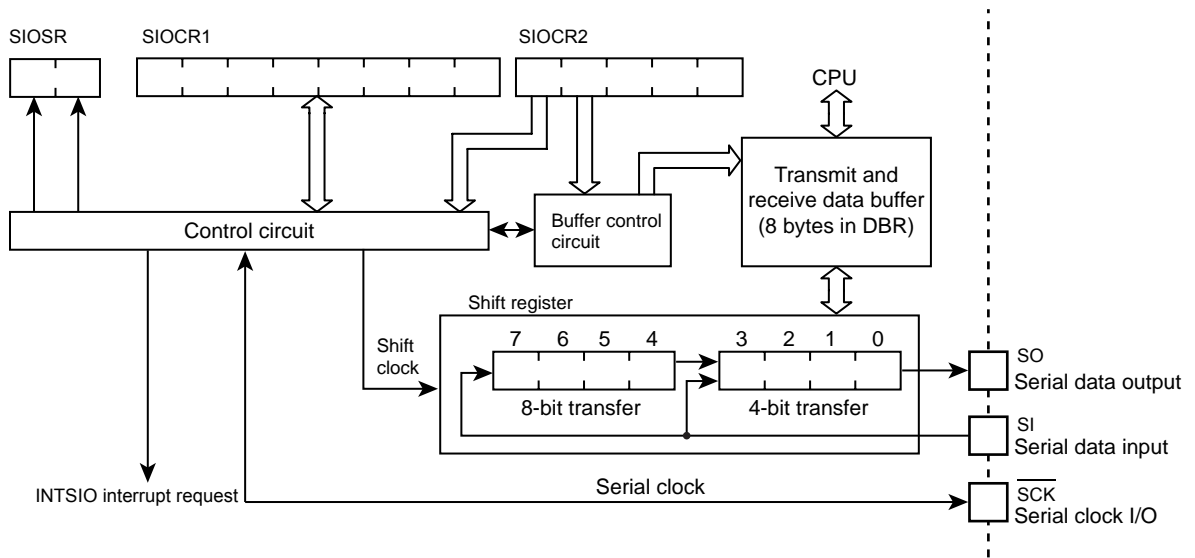


Figure 12-1 Serial Interface

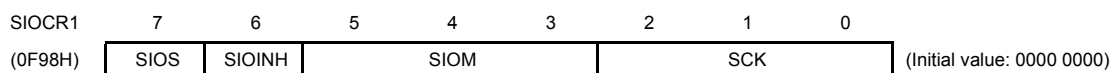
## 12.2 Control

The serial interface is controlled by SIO control registers (SIOCR1/SIOCR2). The serial interface status can be determined by reading SIO status register (SIOSR).

The transmit and receive data buffer is controlled by the SIOCR2<BUF>. The data buffer is assigned to address 0F90H to 0F97H for SIO in the DBR area, and can continuously transfer up to 8 words (bytes or nibbles) at one time. When the specified number of words has been transferred, a buffer empty (in the transmit mode) or a buffer full (in the receive mode or transmit/receive mode) interrupt (INTSIO) is generated.

When the internal clock is used as the serial clock in the 8-bit receive mode and the 8-bit transmit/receive mode, a fixed interval wait can be applied to the serial clock for each word transferred. Four different wait times can be selected with SIOCR2<WAIT>.

### SIO Control Register 1



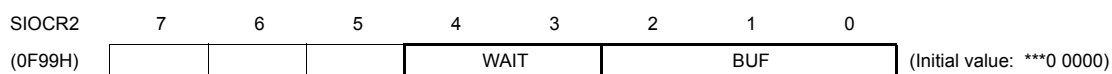
|        |                                |  |                         |           |            |                             |
|--------|--------------------------------|--|-------------------------|-----------|------------|-----------------------------|
| SIOS   | Indicate transfer start / stop | 0: Stop<br>1: Start  |                         |           | Write only |                             |
| SIOINH | Continue / abort transfer      | 0: Continuously transfer<br>1: Abort transfer (Automatically cleared after abort)  |                         |           |            |                             |
| SIOM   | Transfer mode select           | 000: 8-bit transmit mode<br>010: 4-bit transmit mode<br>100: 8-bit transmit / receive mode<br>101: 8-bit receive mode<br>110: 4-bit receive mode<br>Except the above: Reserved |                         |           | Write only |                             |
| SCK    | Serial clock select            |  | NORMAL1/2, IDLE1/2 mode |           | Write only |                             |
|        |                                |  | DV7CK = 0               | DV7CK = 1 |            | SLOW1/2<br>SLEEP1/2<br>mode |
|        |                                | 000  | $fc/2^{13}$             | $fs/2^5$  |            | $fs/2^5$                    |
|        |                                | 001  | $fc/2^8$                | $fc/2^8$  |            | -                           |
|        |                                | 010  | $fc/2^7$                | $fc/2^7$  |            | -                           |
|        |                                | 011  | $fc/2^6$                | $fc/2^6$  |            | -                           |
|        |                                | 100  | $fc/2^5$                | $fc/2^5$  |            | -                           |
|        |                                | 101  | $fc/2^4$                | $fc/2^4$  |            | -                           |
|        |                                | Reserved   |                         |           |            |                             |
|        |                                | External clock ( Input from SCK pin )  |                         |           |            |                             |

Note 1: fc; High-frequency clock [Hz], fs; Low-frequency clock [Hz]

Note 2: Set SIOS to "0" and SIOINH to "1" when setting the transfer mode or serial clock.

Note 3: SIOCR1 is write-only register, which cannot access any of in read-modify-write instruction such as bit operate, etc.

### SIO Control Register 2

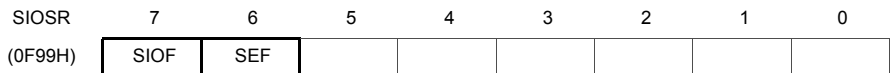




|      |  |   |            |
|------|--|---|------------|
| WAIT | Wait control                                     | Always sets "00" except 8-bit transmit / receive mode.<br>00: $T_f = T_D$ (Non wait)<br>01: $T_f = 2T_D$ (Wait)<br>10: $T_f = 4T_D$ (Wait)<br>11: $T_f = 8T_D$ (Wait)   | Write only |
| BUF  | Number of transfer words (Buffer address in use) | 000: 1 word transfer 0F90H<br>001: 2 words transfer 0F90H ~ 0F91H<br>010: 3 words transfer 0F90H ~ 0F92H<br>011: 4 words transfer 0F90H ~ 0F93H<br>100: 5 words transfer 0F90H ~ 0F94H<br>101: 6 words transfer 0F90H ~ 0F95H<br>110: 7 words transfer 0F90H ~ 0F96H<br>111: 8 words transfer 0F90H ~ 0F97H |            |

- Note 1: The lower 4 bits of each buffer are used during 4-bit transfers. Zeros (0) are stored to the upper 4bits when receiving.
- Note 2: Transmitting starts at the lowest address. Received data are also stored starting from the lowest address to the highest address. ( The first buffer address transmitted is 0F90H ).
- Note 3: The value to be loaded to BUF is held after transfer is completed.
- Note 4: SIOCR2 must be set when the serial interface is stopped (SIOF = 0).
- Note 5: \*: Don't care
- Note 6: SIOCR2 is write-only register, which cannot access any of in read-modify-write instruction such as bit operate, etc.

SIO Status Register



|      |  |  |           |
|------|--|--|-----------|
| SIOF | Serial transfer operating status monitor | 0: Transfer terminated<br>1: Transfer in process               | Read only |
| SEF  | Shift operating status monitor           | 0: Shift operation terminated<br>1: Shift operation in process |           |

- Note 1:  $T_f$ : Frame time,  $T_D$ : Data transfer time
- Note 2: After SIOS is cleared to "0", SIOF is cleared to "0" at the termination of transfer or the setting of SIOINH to "1".

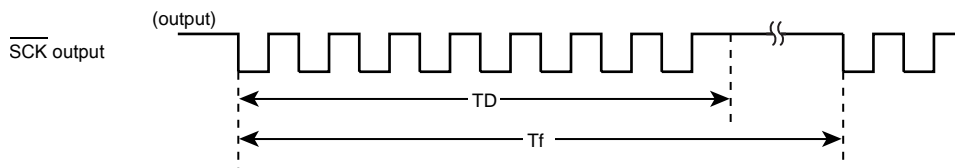


Figure 12-2 Frame time ( $T_f$ ) and Data transfer time ( $T_D$ )

12.3 Serial clock

12.3.1 Clock source

Internal clock or external clock for the source clock is selected by SIOCR1<SCK>.

### 12.3.1.1 Internal clock

Any of six frequencies can be selected. The serial clock is output to the outside on the SCK pin. The SCK pin goes high when transfer starts.

When data writing (in the transmit mode) or reading (in the receive mode or the transmit/receive mode) cannot keep up with the serial clock rate, there is a wait function that automatically stops the serial clock and holds the next shift operation until the read/write processing is completed.

Table 12-1 Serial Clock Rate

| SCK | NORMAL 1/2, IDLE 1/2 mode |             |           |             | SLOW 1/2, SLEEP 1/2 mode |           |
|-----|---------------------------|-------------|-----------|-------------|--------------------------|-----------|
|     | DV7CK = 0                 |             | DV7CK = 1 |             | Clock                    | Baud Rate |
|     | Clock                     | Baud Rate   | Clock     | Baud Rate   |                          |           |
| 000 | $f_c/2^{13}$              | 1.91 Kbps   | $f_s/2^5$ | 1024 bps    | $f_s/2^5$                | 1024 bps  |
| 001 | $f_c/2^8$                 | 61.04 Kbps  | $f_c/2^8$ | 61.04 Kbps  | -                        | -         |
| 010 | $f_c/2^7$                 | 122.07 Kbps | $f_c/2^7$ | 122.07 Kbps | -                        | -         |
| 011 | $f_c/2^6$                 | 244.14 Kbps | $f_c/2^6$ | 244.14 Kbps | -                        | -         |
| 100 | $f_c/2^5$                 | 488.28 Kbps | $f_c/2^5$ | 488.28 Kbps | -                        | -         |
| 101 | $f_c/2^4$                 | 976.56 Kbps | $f_c/2^4$ | 976.56 Kbps | -                        | -         |
| 110 | -                         | -           | -         | -           | -                        | -         |
| 111 | External                  | External    | External  | External    | External                 | External  |

Note: 1 Kbit = 1024 bit ( $f_c = 16$  MHz,  $f_s = 32.768$  kHz)

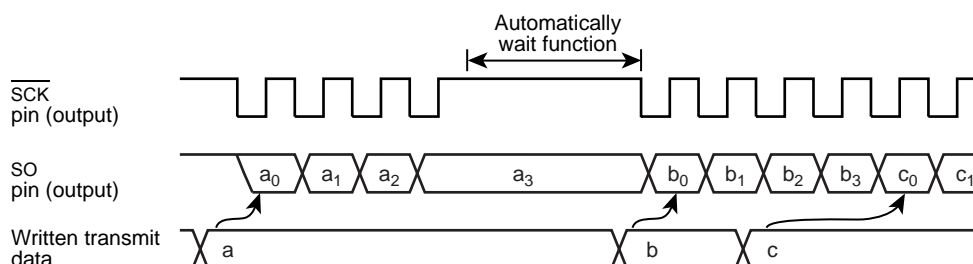


Figure 12-3 Automatic Wait Function (at 4-bit transmit mode)

### 12.3.1.2 External clock

An external clock connected to the SCK pin is used as the serial clock. In this case, output latch of this port should be set to "1". To ensure shifting, a pulse width of at least 4 machine cycles is required. This pulse is needed for the shift operation to execute certainly. Actually, there is necessary processing time for interrupting, writing, and reading. The minimum pulse is determined by setting the mode and the program. Therefore, maximum transfer frequency will be 488.3K bit/sec (at  $f_c=16$  MHz).

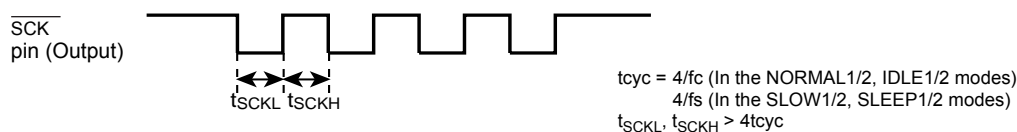


Figure 12-4 External clock pulse width

### 12.3.2 Shift edge

The leading edge is used to transmit, and the trailing edge is used to receive.

#### 12.3.2.1 Leading edge

Transmitted data are shifted on the leading edge of the serial clock (falling edge of the  $\overline{\text{SCK}}$  pin input/output).

#### 12.3.2.2 Trailing edge

Received data are shifted on the trailing edge of the serial clock (rising edge of the  $\overline{\text{SCK}}$  pin input/output).

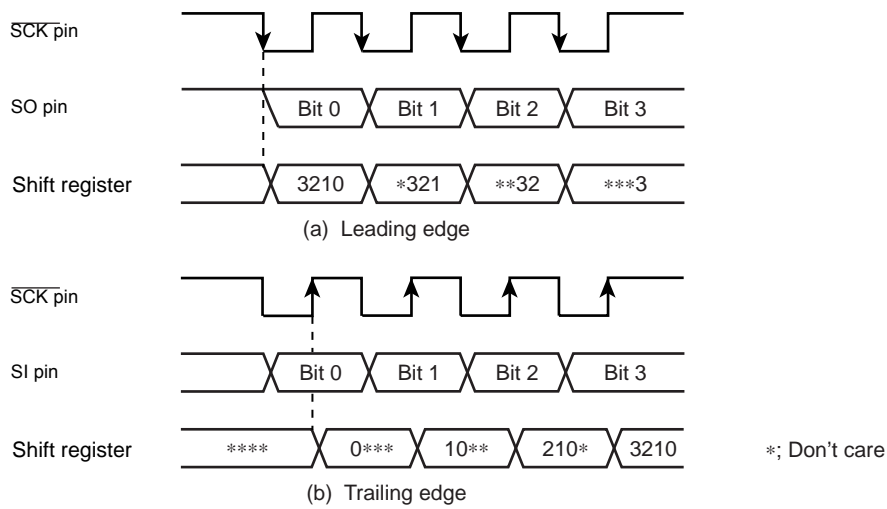


Figure 12-5 Shift edge

## 12.4 Number of bits to transfer

Either 4-bit or 8-bit serial transfer can be selected. When 4-bit serial transfer is selected, only the lower 4 bits of the transmit/receive data buffer register are used. The upper 4 bits are cleared to “0” when receiving. The data is transferred in sequence starting at the least significant bit (LSB).

## 12.5 Number of words to transfer

Up to 8 words consisting of 4 bits of data (4-bit serial transfer) or 8 bits (8-bit serial transfer) of data can be transferred continuously. The number of words to be transferred can be selected by SIOCR2<BUF>.

An INTSIO interrupt is generated when the specified number of words has been transferred. If the number of words is to be changed during transfer, the serial interface must be stopped before making the change. The number of words can be changed during automatic-wait operation of an internal clock. In this case, the serial interface is not required to be stopped.

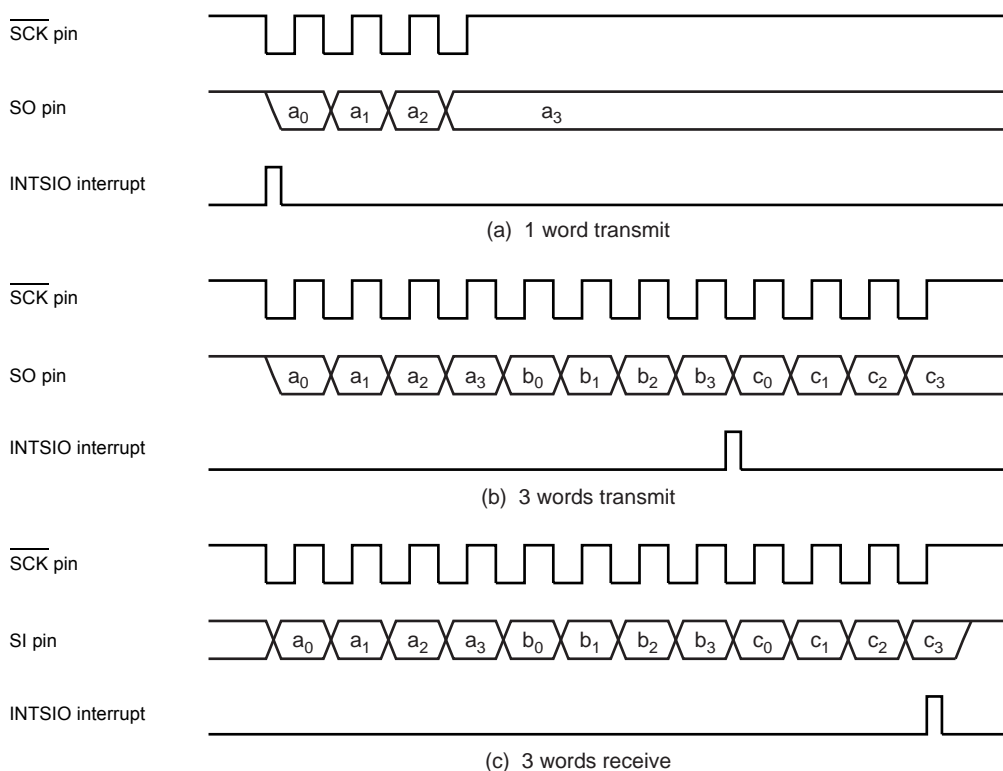


Figure 12-6 Number of words to transfer (Example: 1word = 4bit)

## 12.6 Transfer Mode

SIOCR1<SIOM> is used to select the transmit, receive, or transmit/receive mode.

### 12.6.1 4-bit and 8-bit transfer modes

In these modes, firstly set the SIO control register to the transmit mode, and then write first transmit data (number of transfer words to be transferred) to the data buffer registers (DBR).

After the data are written, the transmission is started by setting SIOCR1<SIOS> to “1”. The data are then output sequentially to the SO pin in synchronous with the serial clock, starting with the least significant bit (LSB). As soon as the LSB has been output, the data are transferred from the data buffer register to the shift register. When the final data bit has been transferred and the data buffer register is empty, an INTSIO (Buffer empty) interrupt is generated to request the next transmitted data.

When the internal clock is used, the serial clock will stop and an automatic-wait will be initiated if the next transmitted data are not loaded to the data buffer register by the time the number of data words specified with the SIOCR2<BUF> has been transmitted. Writing even one word of data cancels the automatic-wait; therefore, when transmitting two or more words, always write the next word before transmission of the previous word is completed.

Note: Automatic waits are also canceled by writing to a DBR not being used as a transmit data buffer register; therefore, during SIO do not use such DBR for other applications. For example, when 3 words are transmitted, do not use the DBR of the remained 5 words.

When an external clock is used, the data must be written to the data buffer register before shifting next data. Thus, the transfer speed is determined by the maximum delay time from the generation of the interrupt request to writing of the data to the data buffer register by the interrupt service program.

The transmission is ended by clearing SIOCR1<SIOS> to “0” or setting SIOCR1<SIOINH> to “1” in buffer empty interrupt service program.

SIOCR1<SIOS> is cleared, the operation will end after all bits of words are transmitted.

That the transmission has ended can be determined from the status of SIOSR<SIOF> because SIOSR<SIOF> is cleared to “0” when a transfer is completed.

When SIOCR1<SIOINH> is set, the transmission is immediately ended and SIOSR<SIOF> is cleared to “0”.

When an external clock is used, it is also necessary to clear SIOCR1<SIOS> to “0” before shifting the next data; If SIOCR1<SIOS> is not cleared before shift out, dummy data will be transmitted and the operation will end.

If it is necessary to change the number of words, SIOCR1<SIOS> should be cleared to “0”, then SIOCR2<BUF> must be rewritten after confirming that SIOSR<SIOF> has been cleared to “0”.

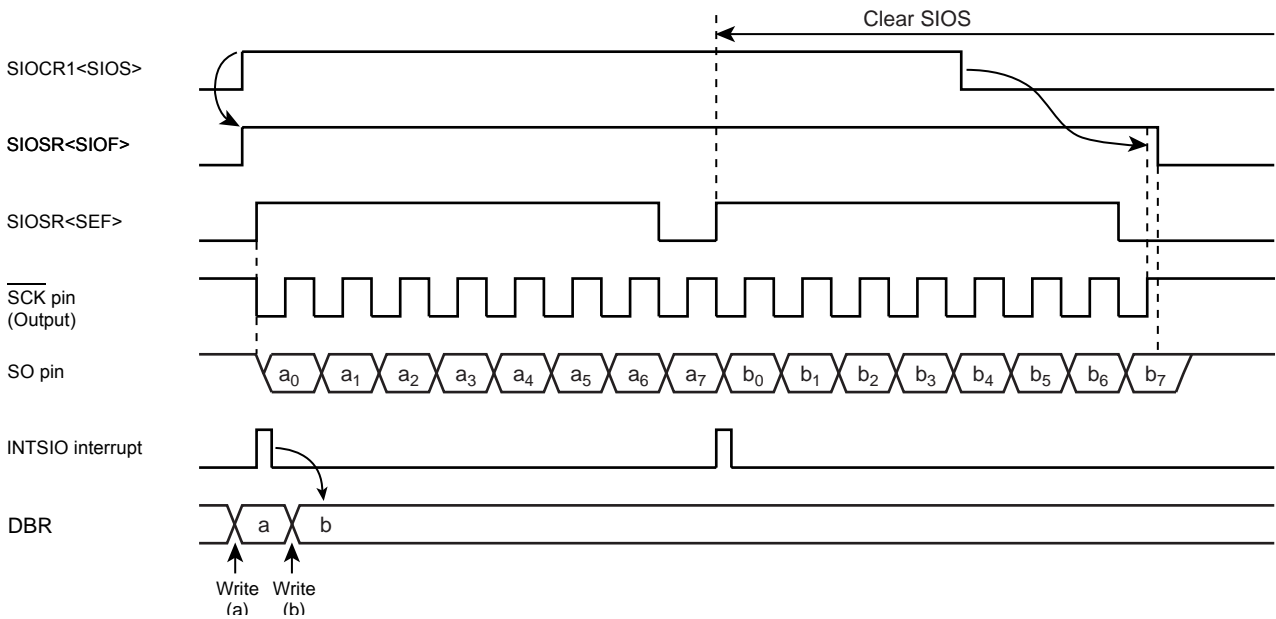


Figure 12-7 Transfer Mode (Example: 8bit, 1word transfer, Internal clock)

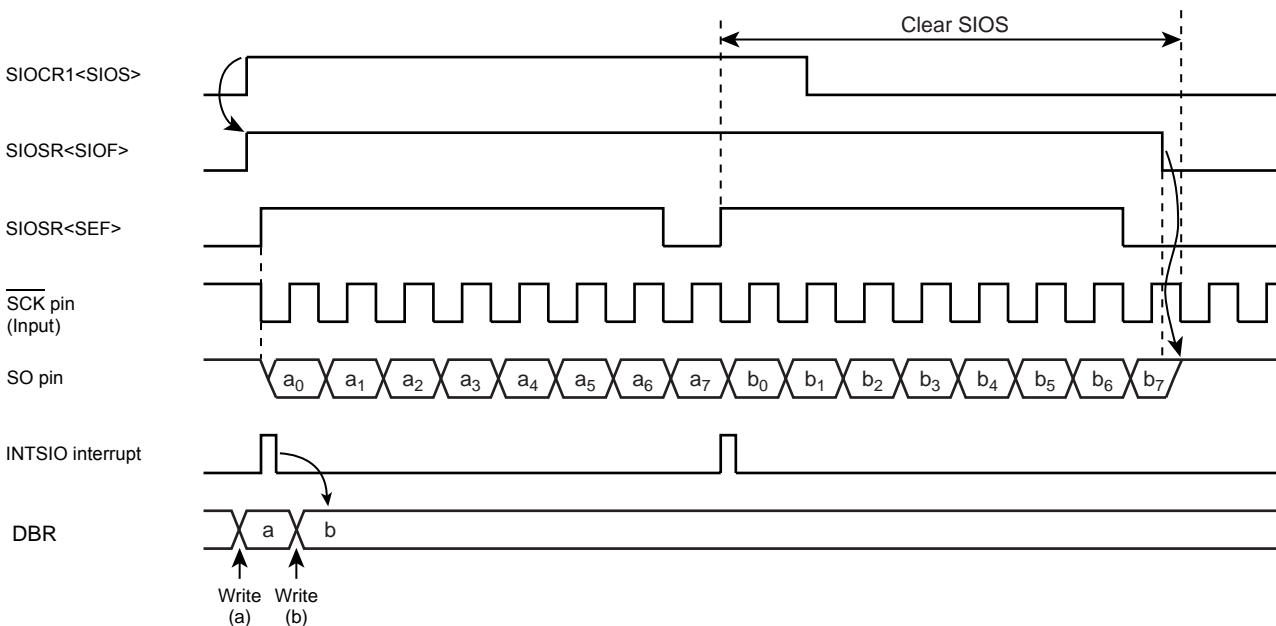


Figure 12-8 Transfer Mode (Example: 8bit, 1word transfer, External clock)

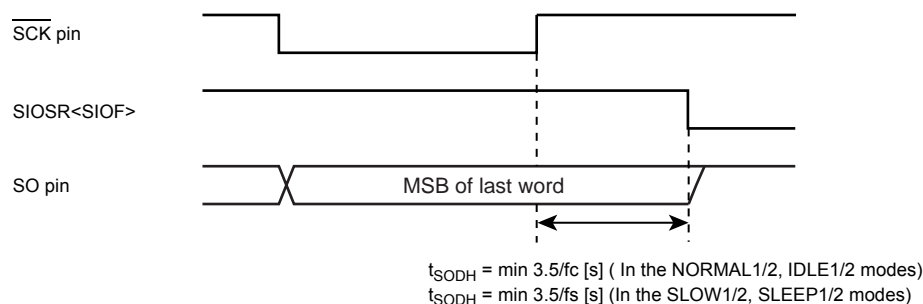


Figure 12-9 Transmitted Data Hold Time at End of Transfer

### 12.6.2 4-bit and 8-bit receive modes

After setting the control registers to the receive mode, set SIOCR1<SIOS> to “1” to enable receiving. The data are then transferred to the shift register via the SI pin in synchronous with the serial clock. When one word of data has been received, it is transferred from the shift register to the data buffer register (DBR). When the number of words specified with the SIOCR2<BUF> has been received, an INTSIO (Buffer full) interrupt is generated to request that these data be read out. The data are then read from the data buffer registers by the interrupt service program.

When the internal clock is used, and the previous data are not read from the data buffer register before the next data are received, the serial clock will stop and an automatic-wait will be initiated until the data are read. A wait will not be initiated if even one data word has been read.

Note: Waits are also canceled by reading a DBR not being used as a received data buffer register is read; therefore, during SIO do not use such DBR for other applications.

When an external clock is used, the shift operation is synchronized with the external clock; therefore, the previous data are read before the next data are transferred to the data buffer register. If the previous data have not been read, the next data will not be transferred to the data buffer register and the receiving of any more data will be canceled. When an external clock is used, the maximum transfer speed is determined by the delay between the time when the interrupt request is generated and when the data received have been read.

The receiving is ended by clearing SIOCR1<SIOS> to “0” or setting SIOCR1<SIOINH> to “1” in buffer full interrupt service program.

When SIOCR1<SIOS> is cleared, the current data are transferred to the buffer. After SIOCR1<SIOS> cleared, the receiving is ended at the time that the final bit of the data has been received. That the receiving has ended can be determined from the status of SIOSR<SIOF>. SIOSR<SIOF> is cleared to “0” when the receiving is ended. After confirmed the receiving termination, the final receiving data is read. When SIOCR1<SIOINH> is set, the receiving is immediately ended and SIOSR<SIOF> is cleared to “0”. (The received data is ignored, and it is not required to be read out.)

If it is necessary to change the number of words in external clock operation, SIOCR1<SIOS> should be cleared to “0” then SIOCR2<BUF> must be rewritten after confirming that SIOSR<SIOF> has been cleared to “0”. If it is necessary to change the number of words in internal clock, during automatic-wait operation which occurs after completion of data receiving, SIOCR2<BUF> must be rewritten before the received data is read out.

Note: The buffer contents are lost when the transfer mode is switched. If it should become necessary to switch the transfer mode, end receiving by clearing SIOCR1<SIOS> to “0”, read the last data and then switch the transfer mode.

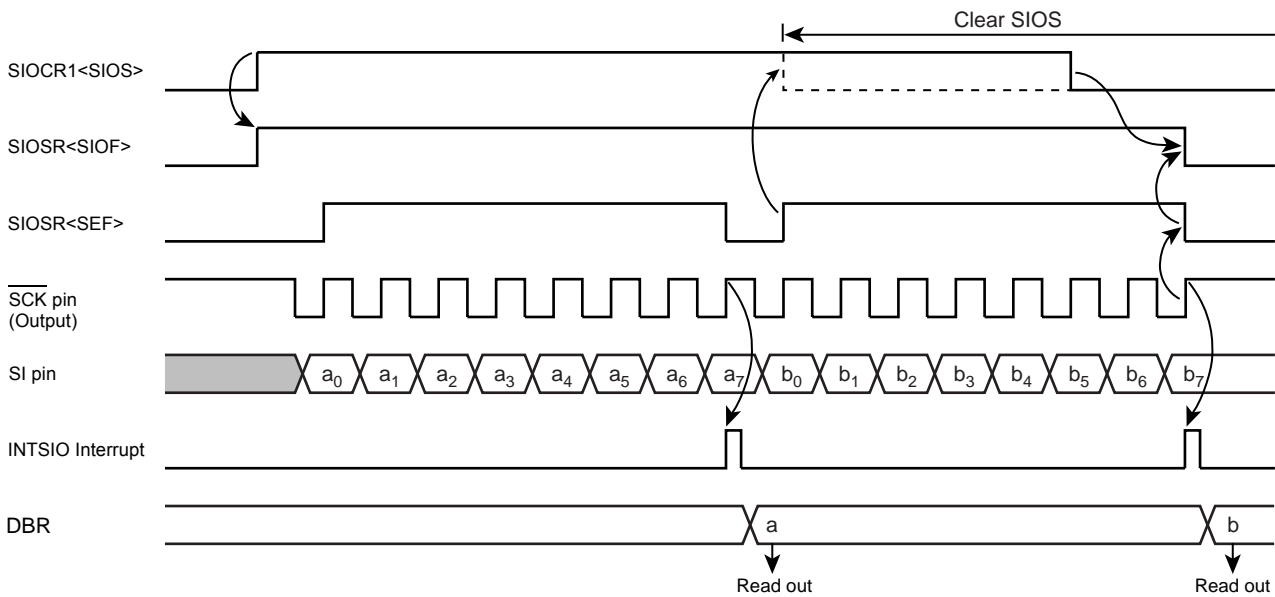


Figure 12-10 Receive Mode (Example: 8bit, 1word transfer, Internal clock)

### 12.6.3 8-bit transfer / receive mode

After setting the SIO control register to the 8-bit transmit/receive mode, write the data to be transmitted first to the data buffer registers (DBR). After that, enable the transmit/receive by setting SIOCR1<SIOS> to "1". When transmitting, the data are output from the SO pin at leading edges of the serial clock. When receiving, the data are input to the SI pin at the trailing edges of the serial clock. When the all receive is enabled, 8-bit data are transferred from the shift register to the data buffer register. An INTSIO interrupt is generated when the number of data words specified with the SIOCR2<BUF> has been transferred. Usually, read the receive data from the buffer register in the interrupt service. The data buffer register is used for both transmitting and receiving; therefore, always write the data to be transmitted after reading the all received data.

When the internal clock is used, a wait is initiated until the received data are read and the next transfer data are written. A wait will not be initiated if even one transfer data word has been written.

When an external clock is used, the shift operation is synchronized with the external clock; therefore, it is necessary to read the received data and write the data to be transmitted next before starting the next shift operation. When an external clock is used, the transfer speed is determined by the maximum delay between generation of an interrupt request and the received data are read and the data to be transmitted next are written.

The transmit/receive operation is ended by clearing SIOCR1<SIOS> to "0" or setting SIOCR1<SIOINH> to "1" in INTSIO interrupt service program.

When SIOCR1<SIOS> is cleared, the current data are transferred to the buffer. After SIOCR1<SIOS> cleared, the transmitting/receiving is ended at the time that the final bit of the data has been transmitted.

That the transmitting/receiving has ended can be determined from the status of SIOSR<SIOF>. SIOSR<SIOF> is cleared to "0" when the transmitting/receiving is ended.

When SIOCR1<SIOINH> is set, the transmit/receive operation is immediately ended and SIOSR<SIOF> is cleared to "0".

If it is necessary to change the number of words in external clock operation, SIOCR1<SIOS> should be cleared to "0", then SIOCR2<BUF> must be rewritten after confirming that SIOSR<SIOF> has been cleared to "0".

If it is necessary to change the number of words in internal clock, during automatic-wait operation which occurs after completion of transmit/receive operation, SIOCR2<BUF> must be rewritten before reading and writing of the receive/transmit data.

Note: The buffer contents are lost when the transfer mode is switched. If it should become necessary to switch the transfer mode, end receiving by clearing SIOCR1<SIOS> to "0", read the last data and then switch the transfer mode.

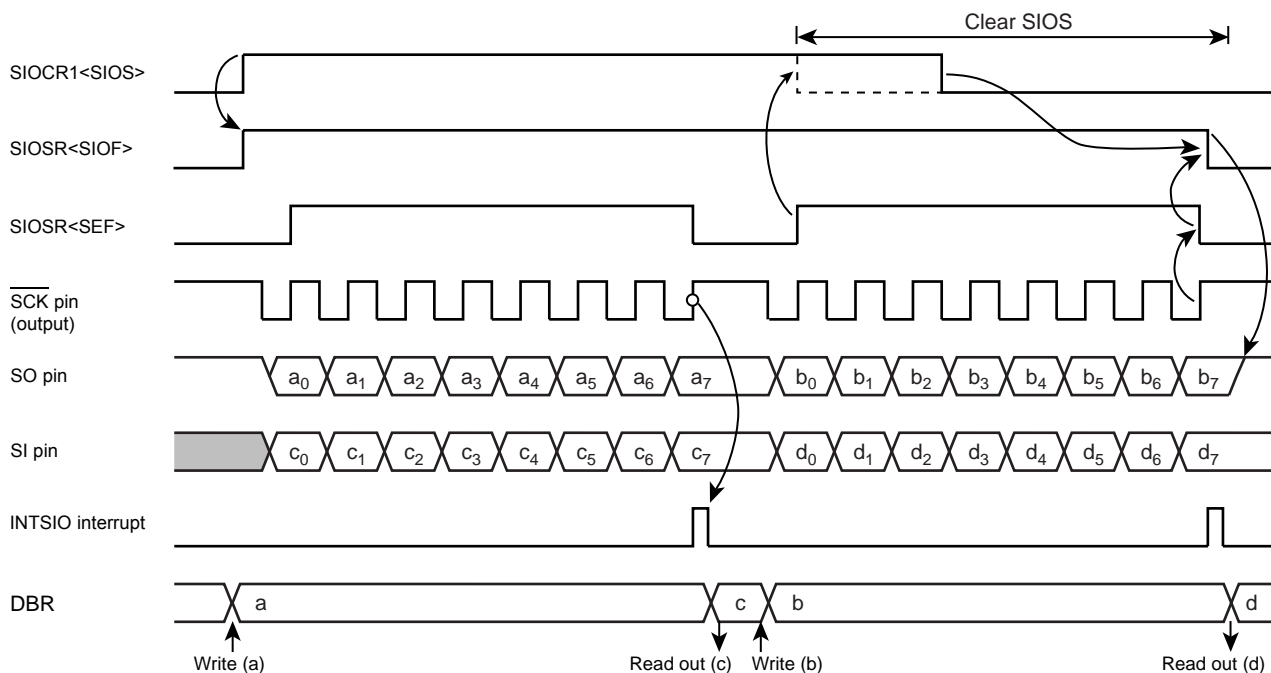


Figure 12-11 Transfer / Receive Mode (Example: 8bit, 1word transfer, Internal clock)

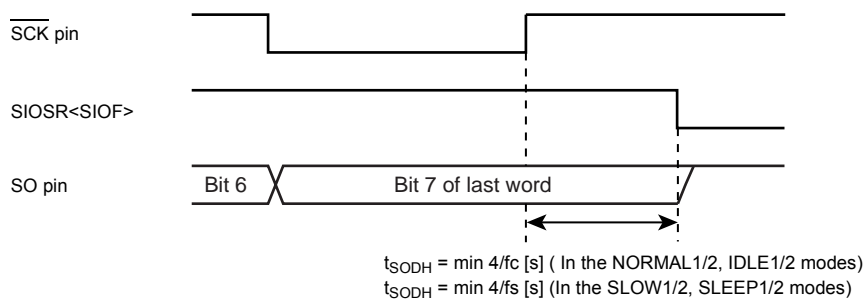


Figure 12-12 Transmitted Data Hold Time at End of Transfer / Receive



# 13. 8-Bit AD Converter (ADC)

The TMP86CH22UG have a 8-bit successive approximation type AD converter.

## 13.1 Configuration

The circuit configuration of the 8-bit AD converter is shown in Figure 13-1.

It consists of control registers ADCCR1 and ADCCR2, converted value registers ADCDR1 and ADCDR2, a DA converter, a sample-and-hold circuit, a comparator, and a successive comparison circuit.

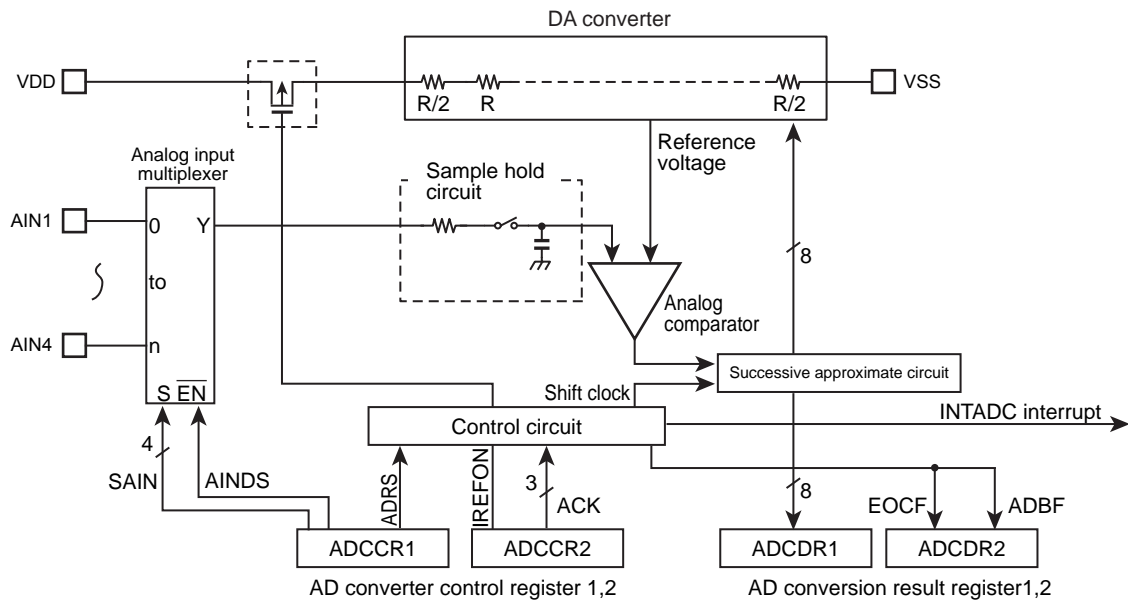


Figure 13-1 8-bit AD Converter (ADC)

## 13.2 Control

The AD converter consists of the following four registers:

1. AD converter control register 1 (ADCCR1)

This register selects the analog channels in which to perform AD conversion and controls the AD converter as it starts operating.

2. AD converter control register 2 (ADCCR2)

This register selects the AD conversion time and controls the connection of the DA converter (ladder resistor network).

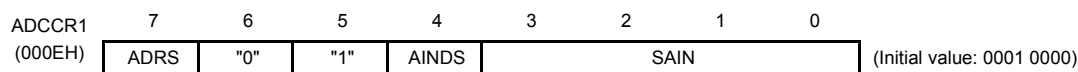
3. AD converted value register (ADCDR1)

This register is used to store the digital value after being converted by the AD converter.

4. AD converted value register (ADCDR2)

This register monitors the operating status of the AD converter.

### AD Converter Control Register 1



|       |                             |  |     |
|-------|-----------------------------|--|-----|
| ADRS  | AD conversion start         | 0: –<br>1: Start   | R/W |
| AINDS | Analog input control        | 0: Analog input enable<br>1: Analog input disable  |     |
| SAIN  | Analog input channel select | 0000: Reserved<br>0001: AIN1<br>0010: AIN2<br>0011: AIN3<br>0100: AIN4<br>0101: Reserved<br>0110: Reserved<br>0111: Reserved<br>1000: Reserved<br>1001: Reserved<br>1010: Reserved<br>1011: Reserved<br>1100: Reserved<br>1101: Reserved<br>1110: Reserved<br>1111: Reserved |     |

Note 1: Select analog input when AD converter stops (ADCDR2<ADBF> = "0").

Note 2: When the analog input is all use disabling, the ADCCR1<AINDS> should be set to "1".

Note 3: During conversion, do not perform output instruction to maintain a precision for all of the pins. And port near to analog input, do not input intense signaling of change.

Note 4: The ADRS is automatically cleared to "0" after starting conversion.

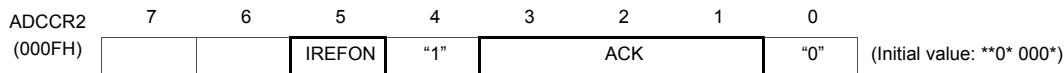
Note 5: Do not set ADCCR1<ADRS> newly again during AD conversion. Before setting ADCCR1<ADRS> newly again, check ADCDR2<EOCF> to see that the conversion is completed or wait until the interrupt signal (INTADC) is generated (e.g., interrupt handling routine).

Note 6: After STOP or SLOW/SLEEP mode are started, AD converter control register 1 (ADCCR1) is all initialized and no data can be written in this register. Therefore, to use AD converter again, set the ADCCR1 newly after returning to NORMAL1 or NORMAL2 mode.

Note 7: Although ADCCR1<SAIN> is initialized to "Reserved value" after reset, set the suitable analog input channel when using AD converter.

Note 8: Always set bit 5 in ADCCR1 to "1" and set bit 6 in ADCCR1 to "0".

AD Converter Control Register 2



|        |   |   |     |
|--------|---|---|-----|
| IREFON | DA converter (ladder resistor) connection control | 0: Connected only during AD conversion<br>1: Always connected   | R/W |
| ACK    | AD conversion time select                         | 000: 39/fc<br>001: Reserved<br>010: 78/fc<br>011: 156/fc<br>100: 312/fc<br>101: 624/fc<br>110: 1248/fc<br>111: Reserved | R/W |

- Note 1: Always set bit 0 in ADCCR2 to "0" and set bit 4 in ADCCR2 to "1".
- Note 2: When a read instruction for ADCCR2, bit 6 to 7 in ADCCR2 read in as undefined data.
- Note 3: After STOP or SLOW/SLEEP mode are started, AD converter control register 2 (ADCCR2) is all initialized and no data can be written in this register. Therefore, to use AD converter again, set the ADCCR2 newly after returning to NORMAL1 or NORMAL2 mode.

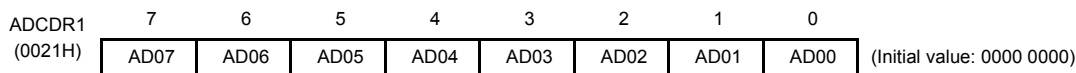
Table 13-1 Conversion Time according to ACK Setting and Frequency

| Condition ACK | Conversion time' | 16MHz   | 8MHz     | 4 MHz    | 2 MHz    | 10MHz    | 5 MHz    | 2.5 MHz  |
|---------------|------------------|---------|----------|----------|----------|----------|----------|----------|
| 000           | 39/fc            | -       | -        | -        | 19.5 μs  | -        | -        | 15.6 μs  |
| 001           | Reserved         |         |          |          |          |          |          |          |
| 010           | 78/fc            | -       | -        | 19.5 μs  | 39.0 μs  | -        | 15.6 μs  | 31.2 μs  |
| 011           | 156/fc           | -       | 19.5 μs  | 39.0 μs  | 78.0 μs  | 15.6 μs  | 31.2 μs  | 62.4 μs  |
| 100           | 312/fc           | 19.5 μs | 39.0 μs  | 78.0 μs  | 156.0 μs | 31.2 μs  | 62.4 μs  | 124.8 μs |
| 101           | 624/fc           | 39.0 μs | 78.0 μs  | 156.0 μs | -        | 62.4 μs  | 124.8 μs | -        |
| 110           | 1248/fc          | 78.0 μs | 156.0 μs | -        | -        | 124.8 μs | -        | -        |
| 111           | Reserved         |         |          |          |          |          |          |          |

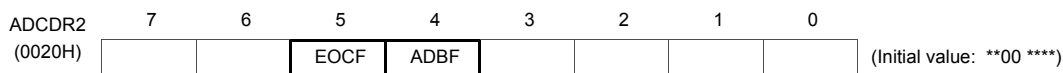
- Note 1: Settings for "-" in the above table are inhibited.
- Note 2: Set conversion time by Supply Voltage(VDD) as follows.

- VDD = 4.5 to 5.5 V      (15.6 μs or more)
- VDD = 2.7 to 5.5 V      (31.2 μs or more)
- VDD = 1.8 to 5.5 V      (124.8 μs or more)

AD Conversion Result Register



AD Conversion Result Register



|      |                         |  |           |
|------|-------------------------|--|-----------|
| EOCF | AD conversion end flag  | 0: Before or during conversion<br>1: Conversion completed  | Read only |
| ADBF | AD conversion busy flag | 0: During stop of AD conversion<br>1: During AD conversion |           |

- Note 1: The ADCDR2<EOCF> is cleared to "0" when reading the ADCDR1. Therefore, the AD conversion result should be read to ADCDR2 more first than ADCDR1.
- Note 2: ADCDR2<ADBF> is set to "1" when AD conversion starts and cleared to "0" when the AD conversion is finished. It also is cleared upon entering STOP or SLOW mode.
- Note 3: If a read instruction is executed for ADCDR2, read data of bits 7, 6 and 3 to 0 are unstable.

## 13.3 Function

### 13.3.1 AD Converter Operation

When ADCCR1<ADRS> is set to "1", AD conversion of the voltage at the analog input pin specified by ADCCR1<SAIN> is thereby started.

After completion of the AD conversion, the conversion result is stored in AD converted value registers (ADCDR1) and at the same time ADCDR2<EOCF> is set to "1", the AD conversion finished interrupt (INTADC) is generated.

ADCCR1<ADRS> is automatically cleared after AD conversion has started. Do not set ADCCR1<ADRS> newly again (restart) during AD conversion. Before setting ADRS newly again, check ADCDR<EOCF> to see that the conversion is completed or wait until the interrupt signal (INTADC) is generated (e.g., interrupt handling routine).

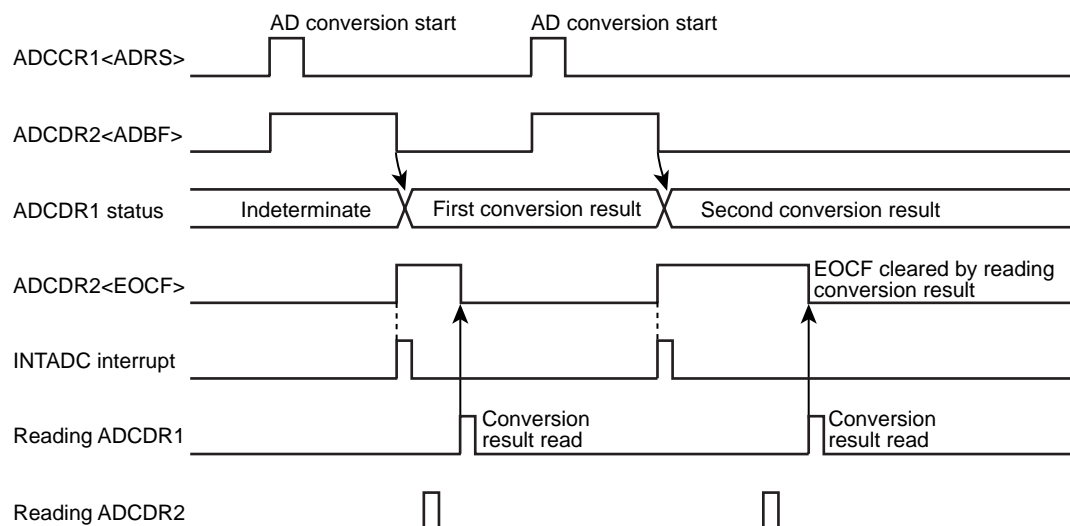


Figure 13-2 AD Converter Operation

### 13.3.2 AD Converter Operation

- Set up the AD converter control register 1 (ADCCR1) as follows:
  - Choose the channel to AD convert using AD input channel select (SAIN).
  - Specify analog input enable for analog input control (AINDS).
- Set up the AD converter control register 2 (ADCCR2) as follows:
  - Set the AD conversion time using AD conversion time (ACK). For details on how to set the conversion time, refer to Table 13-1.
  - Choose IREFON for DA converter control.
- After setting up 1. and 2. above, set AD conversion start (ADRS) of AD converter control register 1 (ADCCR1) to "1".
- After an elapse of the specified AD conversion time, the AD converted value is stored in AD converted value register 1 (ADCDR1) and the AD conversion finished flag (EOCF) of AD converted value register 2 (ADCDR2) is set to "1", upon which time AD conversion interrupt INTADC is generated.
- EOCF is cleared to "0" by a read of the conversion result. However, if reconverted before a register read, although EOCF is cleared the previous conversion result is retained until the next conversion is completed.

Example :After selecting the conversion time of 19.5  $\mu$ s at 16 MHz and the analog input channel AIN3 pin, perform AD conversion once. After checking EOCF, read the converted value and store the 8-bit data in address 009FH on RAM.

```

; AIN SELECT
:
: ; Before setting the AD converter register, set each port reg-
: ; ister suitably (For detail, see chapter of I/O port.)
LD (ADCCR1), 00100011B ; Select AIN3
LD (ADCCR2), 11011000B ; Select conversion time (312/fc) and operation mode
; AD CONVERT START
SET (ADCCR1), 7 ; ADRS = 1
SLOOP: TEST (ADCDR2), 5 ; EOCF = 1 ?
JRS T, SLOOP
; RESULT DATA READ
LD A, (ADCDR1)
LD (9FH), A

```

### 13.3.3 STOP and SLOW Mode during AD Conversion

When the STOP or SLOW mode is entered forcibly during AD conversion, the AD convert operation is suspended and the AD converter is initialized (ADCCR1 and ADCCR2 are initialized to initial value.). Also, the conversion result is indeterminate. (Conversion results up to the previous operation are cleared, so be sure to read the conversion results before entering STOP or SLOW mode.) When restored from STOP or SLOW mode, AD conversion is not automatically restarted, so it is necessary to restart AD conversion. Note that since the analog reference voltage is automatically disconnected, there is no possibility of current flowing into the analog reference voltage.

### 13.3.4 Analog Input Voltage and AD Conversion Result

The analog input voltage is corresponded to the 8-bit digital value converted by the AD as shown in Figure 13-3.

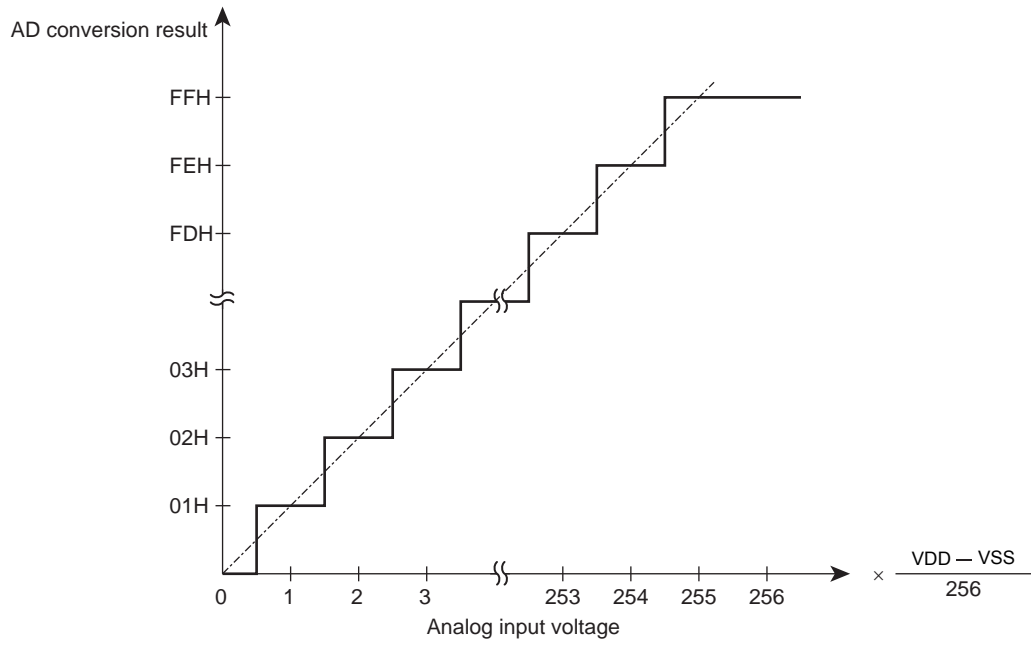


Figure 13-3 Analog Input Voltage and AD Conversion Result (typ.)

## 13.4 Precautions about AD Converter

### 13.4.1 Restrictions for AD Conversion interrupt (INTADC) usage

When an AD interrupt is used, it may not be processed depending on program composition. For example, if an INTADC interrupt request is generated while an interrupt with priority lower than the interrupt latch IL15 (INTADC) is being accepted, the INTADC interrupt latch may be cleared without the INTADC interrupt being processed.

The completion of AD conversion can be detected by the following methods:

(1) Method not using the AD conversion end interrupt

Whether or not AD conversion is completed can be detected by monitoring the AD conversion end flag (EOCF) by software. This can be done by polling EOCF or monitoring EOCF at regular intervals after start of AD conversion.

(2) Method for detecting AD conversion end while a lower-priority interrupt is being processed

While an interrupt with priority lower than INTADC is being processed, check the AD conversion end flag (EOCF) and interrupt latch IL15. If  $IL15 = 0$  and  $EOCF = 1$ , call the AD conversion end interrupt processing routine with consideration given to PUSH/POP operations. At this time, if an interrupt request with priority higher than INTADC has been set, the AD conversion end interrupt processing routine will be executed first against the specified priority. If necessary, we recommend that the AD conversion end interrupt processing routine be called after checking whether or not an interrupt request with priority higher than INTADC has been set.

### 13.4.2 Analog input pin voltage range

Make sure the analog input pins (AIN1 to AIN4) are used at voltages within VSS below VDD. If any voltage outside this range is applied to one of the analog input pins, the converted value on that pin becomes uncertain. The other analog input pins also are affected by that.

### 13.4.3 Analog input shared pins

The analog input pins (AIN1 to AIN4) are shared with input/output ports. When using any of the analog inputs to execute AD conversion, do not execute input/output instructions for all other ports. This is necessary to prevent the accuracy of AD conversion from degrading. Not only these analog input shared pins, some other pins may also be affected by noise arising from input/output to and from adjacent pins.

### 13.4.4 Noise countermeasure

The internal equivalent circuit of the analog input pins is shown in Figure 13-4. The higher the output impedance of the analog input source, more easily they are susceptible to noise. Therefore, make sure the output impedance of the signal source in your design is 5 k $\Omega$  or less. Toshiba also recommends attaching a capacitor external to the chip.

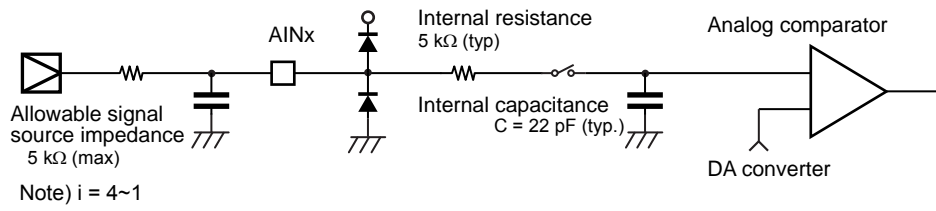


Figure 13-4 Analog Input Equivalent Circuit and Example of Input Pin Processing



# 14. Key-on Wakeup (KWU)

In the TMP86CH22UG, the STOP mode is released by not only P20( $\overline{INT5}/\overline{STOP}$ ) pin but also STOP2 pin.

When the STOP mode is released by STOP2 pin, the  $\overline{STOP}$  pin needs to be used.

In details, refer to the following section " 14.2 Control ".

## 14.1 Configuration

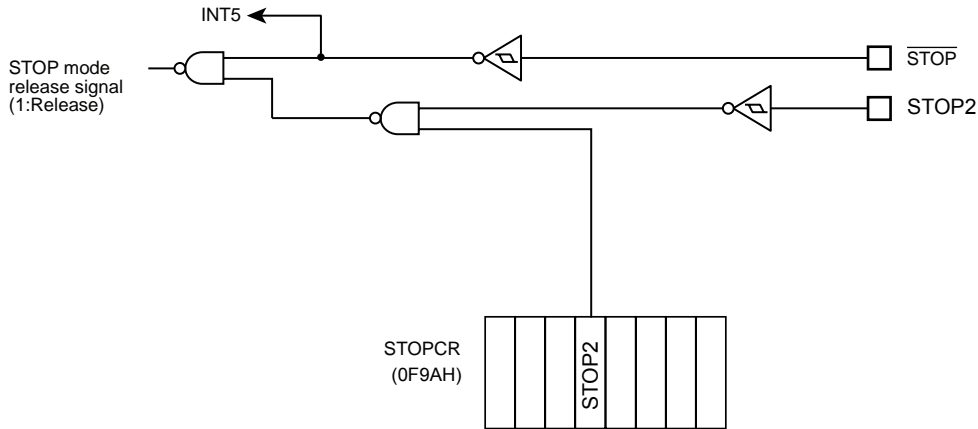


Figure 14-1 Key-on Wakeup Circuit

## 14.2 Control

STOP2 pin can controlled by Key-on Wakeup Control Register (STOPCR). It can be configured as enable/disable in 1-bit unit. When this pin is used for STOP mode release, configure corresponding I/O pin to input mode by I/O port register beforehand.

### Key-on Wakeup Control Register

|         |   |   |   |       |   |   |   |   |                            |
|---------|---|---|---|-------|---|---|---|---|----------------------------|
| STOPCR  | 7 | 6 | 5 | 4     | 3 | 2 | 1 | 0 |                            |
| (0F9AH) |   |   |   | STOP2 |   |   |   |   | (Initial value: ***0 ****) |

|       |                             |                       |            |
|-------|-----------------------------|-----------------------|------------|
| STOP2 | STOP mode released by STOP2 | 0:Disable<br>1:Enable | Write only |
|-------|-----------------------------|-----------------------|------------|

## 14.3 Function

Stop mode can be entered by setting up the System Control Register (SYSCR1), and can be exited by detecting the "L" level on STOP2 pin, which are enabled by STOPCR, for releasing STOP mode (Note1).

Also, the level of the STOP2 pin can be confirmed by reading corresponding I/O port data register, check STOP2 pin "H" that is enabled by STOPCR before the STOP mode is startd (Note2).

Note 1: When the STOP mode released by the edge release mode (SYSCR1<RELM> = "0"), inhibit input from STOP2 pin by Key-on Wakeup Control Register (STOPCR) or must be set "H" level into STOP2 pin that is available input during STOP mode.

Note 2: When the  $\overline{STOP}$  pin input is high or STOP2 pin input which is enabled by STOPCR is low, executing an instruction which starts STOP mode will not place in STOP mode but instead will immediately start the release sequence (Warm up).

Note 3:  $\overline{\text{STOP}}$  pin doesn't have the control register such as STOPCR, so when STOP mode is released by STOP2 pin,  $\overline{\text{STOP}}$  pin also should be used as STOP mode release function.

Note 4: In STOP mode, Key-on Wakeup pin which is enabled as input mode (for releasing STOP mode) by Key-on Wakeup Control Register (STOPCR) may generate the penetration current, so the said pin must be disabled AD conversion input (analog voltage input).

Note 5: When the STOP mode is released by STOP2 pin, the level of  $\overline{\text{STOP}}$  pin should hold "L" level (Figure 14-2).

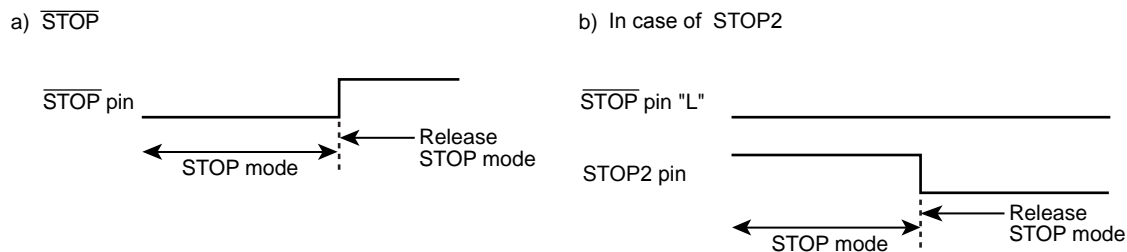


Figure 14-2 Priority of STOP pin and STOP2 pin

Table 14-1 Release level (edge) of STOP mode

| Pin name                 | Release level (edge)        |                   |
|--------------------------|-----------------------------|-------------------|
|                          | SYSCR1<RELM>="1"<br>(Note2) | SYSCR1<RELM>="0"  |
| $\overline{\text{STOP}}$ | "H" level                   | Rising edge       |
| STOP2                    | "L" level                   | Don't use (Note1) |

# 15. LCD Driver

The TMP86CH22UG has a driver and control circuit to directly drive the liquid crystal device (LCD). The pins to be connected to LCD are as follows:

1. Segment output port 23 pins (SEG31 to SEG9)
2. Common output port 4 pins (COM3 to COM0)

In addition, VLC pin is provided for the LCD power supply.

The devices that can be directly driven is selectable from LCD of the following drive methods:

1. 1/4 Duty (1/3 Bias) LCD Max 92 Segments (8 segments × 11 digits)
2. 1/3 Duty (1/3 Bias) LCD Max 69 Segments (8 segments × 8 digits)
3. 1/3 Duty (1/2 Bias) LCD Max 69 Segments (8 segments × 8 digits)
4. 1/2 Duty (1/2 Bias) LCD Max 46 Segments (8 segments × 5 digits)
5. Static LCD Max 23 Segments (8 segments × 2 digits)

## 15.1 Configuration

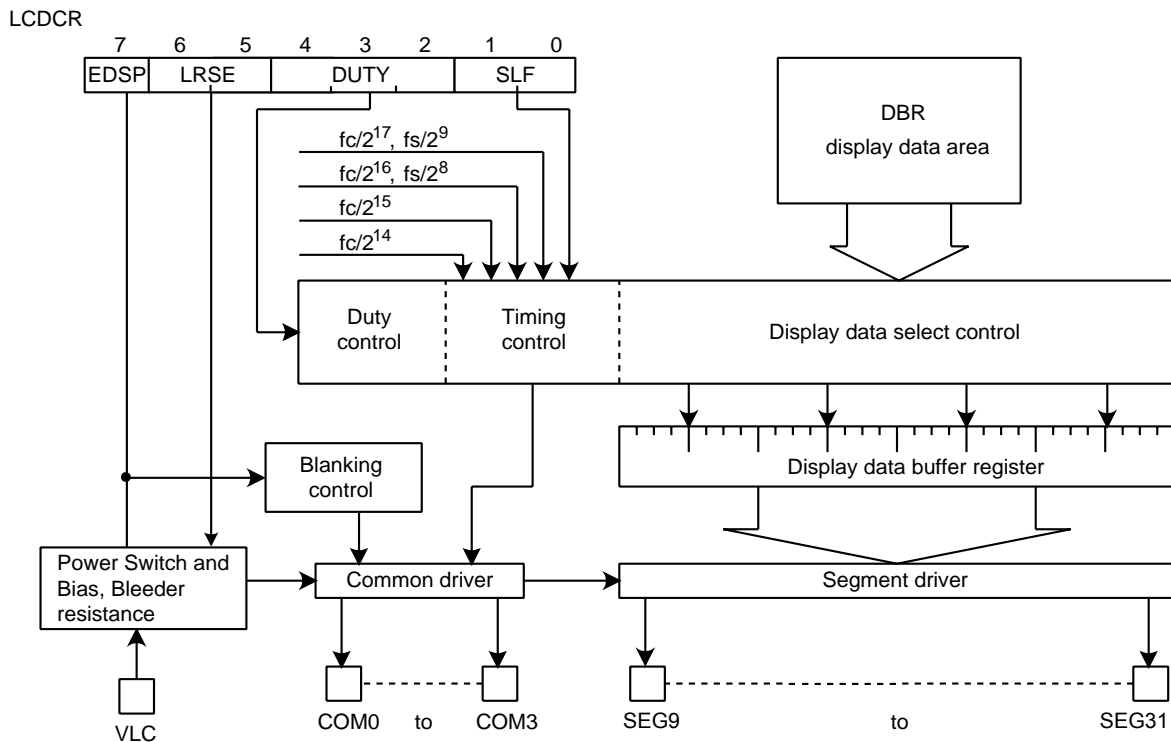


Figure 15-1 LCD Driver

## 15.2 Control

The LCD control register (LCDCR) controls the LCD driver. EDSP specifies whether to enable the LCD display. If EDSP is cleared to “0” for blanking, the power switch for the VLC pin is turned off. So, the COM pin and pin output selected with SEG enter GND level.

### LCD Driver Control Register

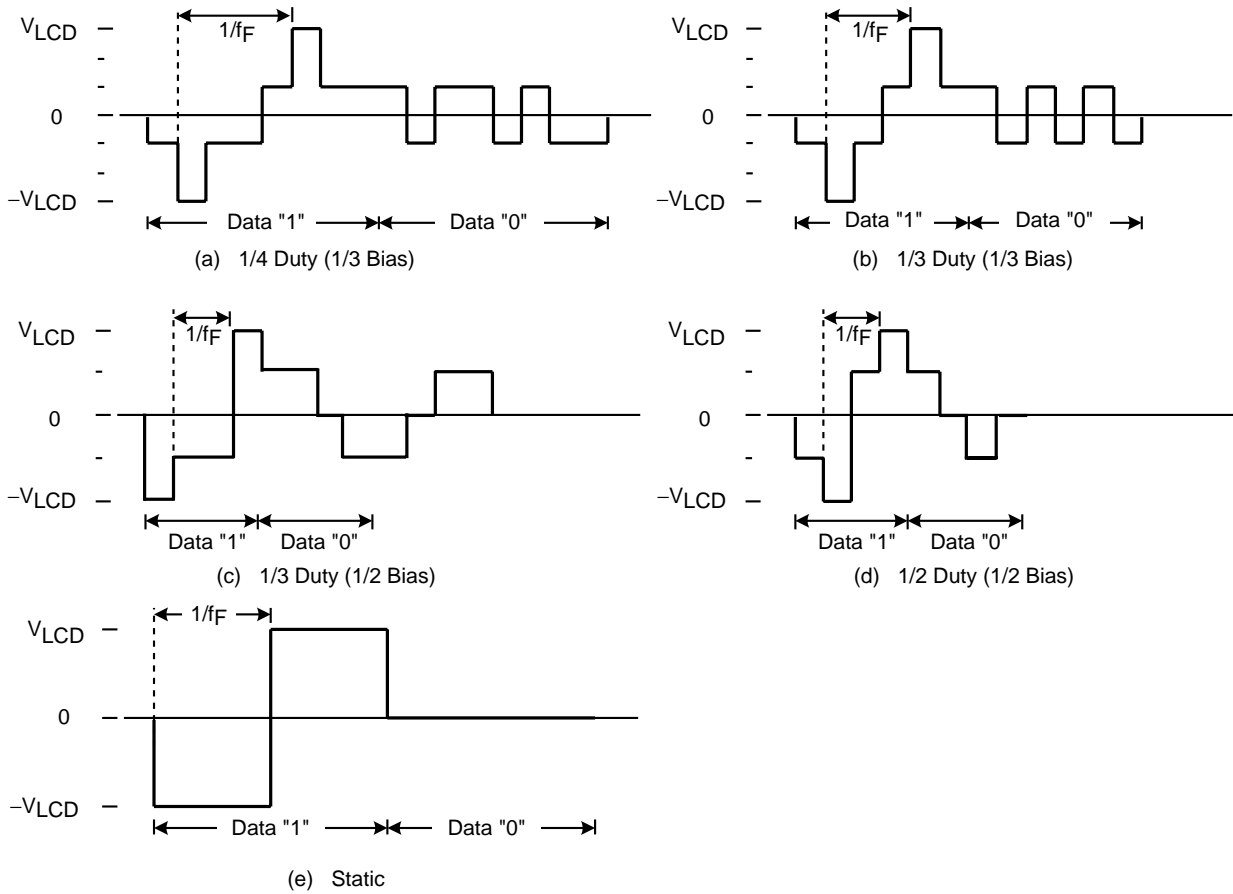
|                  |      |       |   |      |   |   |     |   |                            |
|------------------|------|-------|---|------|---|---|-----|---|----------------------------|
| LCDCR<br>(0027H) | 7    | 6     | 5 | 4    | 3 | 2 | 1   | 0 |                            |
|                  | EDSP | LRSEL |   | DUTY |   |   | SLF |   | (Initial value: 0000 0000) |

| Field | Description  | Value  |                           |              |              |                        |           | Access |           |
|-------|--|--|---------------------------|--------------|--------------|------------------------|-----------|--------|-----------|
| EDSP  | LCD display control  | 0: Blanking<br>1: Enables LCD display (Blanking is released)   |                           |              |              |                        |           | R/W    |           |
| LRSE  | Period selection of enabling (turn on) of the low bleeder resistor (for implementing appropriate LCD panel drive capability) | NORMAL1/2, IDLE1/2 mode  |                           |              |              | SLOW1/2, SLEEP1/2 mode |           |        |           |
|       |  | SLF Setting  |                           |              |              | SLF Setting            |           |        |           |
|       |  |  | 11                        | 10           | 01           | 00                     | 01        |        | 00        |
|       |  | 00:  | $2^9/f_c$                 | $2^7/f_c$    | $2^8/f_c$    | $2^9/f_c$              | 1/fs      |        | 2/fs      |
|       |  | 01:  | $2^9/f_c$                 | $2^{10}/f_c$ | $2^{11}/f_c$ | $2^{12}/f_c$           | $2^3/f_s$ |        | $2^4/f_s$ |
|       |  | 10:  | Always enabling           |              |              |                        |           |        |           |
| 11:   | Reserved   |  |                           |              |              |                        |           |        |           |
| DUTY  | Selection of driving methods   | 000: 1/4 Duty (1/3 Bias)<br>001: 1/3 Duty (1/3 Bias)<br>010: 1/3 Duty (1/2 Bias)<br>011: 1/2 Duty (1/2 Bias)<br>100: Static<br>101: Reserved<br>110: Reserved<br>111: Reserved |                           |              |              |                        |           |        |           |
| SLF   | Selection of LCD frame frequency   |  | NORMAL1/2, IDLE0/1/2 mode |              |              | SLOW1/2, SLEEP1/2 mode |           |        |           |
|       |  | 00:  | $f_c/2^{17}$ [Hz]         |              |              | $f_s/2^9$ [Hz]         |           |        |           |
|       |  | 01:  | $f_c/2^{16}$              |              |              | $f_s/2^8$              |           |        |           |
|       |  | 10:  | $f_c/2^{15}$              |              |              | Reserved               |           |        |           |
|       |  | 11:  | $f_c/2^{13}$              |              |              | Reserved               |           |        |           |

- Note 1: The base-frequency (SLF) source clock is switched between high and low frequencies by the SYSCR2<SYSCK> programming. The base frequency does not depend on the TBTCR<DV7CK> programming.
- Note 2: If the setting of SYSCR2<SYSCK> is changed, be sure to turn off the LCD (clear EDSP to “0”) to avoid the output of incorrect waveform.
- Note 3: Programming LRSE properly according to the LCD panel used. As the LRSE programming increases (lengthen the period of enabling of the low resistor), the drive capability becomes higher while the power dissipation increases. Conversely, as the LRSE programming decreases shorten the period of enabling of the low resistor, the drive capability becomes lower while the power consumption decreases.
- Note 4: If the IDLE0, SLEEP0, or STOP mode is activated when the display is enabled, LCDCR<EDSP> is automatically changed to “0” to blank the display.

### 15.2.1 LCD driving methods

As for LCD driving method, 5 types can be selected by LCDCCR<DUTY>. The driving method is initialized in the initial program according to the LCD used.



Note 1:  $f_F$ : Frame frequency

Note 2:  $V_{LCD}$ : LCD drive voltage (=  $V_{DD} - V_{LC}$ )

Figure 15-2 LCD Drive Waveform (COM - SEG pins)

## 15.2.2 Frame frequency

Frame frequency ( $f_F$ ) is set according to driving method and base frequency as shown in the following Table 15-1. The base frequency is selected by LCDCR<SLF> according to the frequency  $f_c$  and  $f_s$  of the basic clock to be used.

Table 15-1 Setting of LCD Frame Frequency for high frequency clock

(a) At the SYSCR2<SYSCK> = "0".

| SLF | Base Frequency [Hz]  | Frame Frequency [Hz] |  |  |                      |
|-----|----------------------|----------------------|--|--|----------------------|
|     |                      | 1/4 Duty             | 1/3 Duty                               | 1/2 Duty                               | Static               |
| 00  | $\frac{f_c}{2^{17}}$ | $\frac{f_c}{2^{17}}$ | $\frac{4}{3} \cdot \frac{f_c}{2^{17}}$ | $\frac{4}{2} \cdot \frac{f_c}{2^{17}}$ | $\frac{f_c}{2^{17}}$ |
|     | ( $f_c = 16$ MHz)    | 122                  | 163                                    | 244                                    | 122                  |
|     | ( $f_c = 8$ MHz)     | 61                   | 81                                     | 122                                    | 61                   |
| 01  | $\frac{f_c}{2^{16}}$ | $\frac{f_c}{2^{16}}$ | $\frac{4}{3} \cdot \frac{f_c}{2^{16}}$ | $\frac{4}{2} \cdot \frac{f_c}{2^{16}}$ | $\frac{f_c}{2^{16}}$ |
|     | ( $f_c = 8$ MHz)     | 122                  | 163                                    | 244                                    | 122                  |
|     | ( $f_c = 4$ MHz)     | 61                   | 81                                     | 122                                    | 61                   |
| 10  | $\frac{f_c}{2^{15}}$ | $\frac{f_c}{2^{15}}$ | $\frac{4}{3} \cdot \frac{f_c}{2^{15}}$ | $\frac{4}{2} \cdot \frac{f_c}{2^{15}}$ | $\frac{f_c}{2^{15}}$ |
|     | ( $f_c = 4$ MHz)     | 122                  | 163                                    | 244                                    | 122                  |
|     | ( $f_c = 2$ MHz)     | 61                   | 81                                     | 122                                    | 61                   |
| 11  | $\frac{f_c}{2^{14}}$ | $\frac{f_c}{2^{14}}$ | $\frac{4}{3} \cdot \frac{f_c}{2^{14}}$ | $\frac{4}{2} \cdot \frac{f_c}{2^{14}}$ | $\frac{f_c}{2^{14}}$ |
|     | ( $f_c = 2$ MHz)     | 122                  | 162                                    | 244                                    | 122                  |
|     | ( $f_c = 1$ MHz)     | 61                   | 81                                     | 122                                    | 61                   |

Note:  $f_c$ : High-frequency clock [Hz]

Table 15-2 Setting of LCD Frame Frequency for low frequency clock

(b) At the SYSCR2<SYSCK> = "1".

| SLF | Base Frequency [Hz]   | Frame Frequency [Hz] |                                     |                                     |                   |
|-----|-----------------------|----------------------|-------------------------------------|-------------------------------------|-------------------|
|     |                       | 1/4 Duty             | 1/3 Duty                            | 1/2 Duty                            | Static            |
| 00  | $\frac{f_s}{2^9}$     | $\frac{f_s}{2^9}$    | $\frac{4}{3} \cdot \frac{f_s}{2^9}$ | $\frac{4}{2} \cdot \frac{f_s}{2^9}$ | $\frac{f_s}{2^9}$ |
|     | ( $f_s = 32.768$ kHz) | 64                   | 85                                  | 128                                 | 64                |
| 01  | $\frac{f_s}{2^8}$     | $\frac{f_s}{2^8}$    | $\frac{4}{3} \cdot \frac{f_s}{2^8}$ | $\frac{4}{2} \cdot \frac{f_s}{2^8}$ | $\frac{f_s}{2^8}$ |
|     | ( $f_s = 32.768$ kHz) | 128                  | 171                                 | 256                                 | 128               |
| 1*  | Reserved              |                      |                                     |                                     |                   |

Note:  $f_s$ : Low-frequency clock [Hz]

### 15.2.3 LCD drive voltage

LCD driving voltage VLCD is given as potential difference  $VDD - VLC$  between pins VDD and VLC. Therefore, when the CPU voltage and LCD drive voltage are the same, VLC pin will be connected to VSS pin. The LCD lights when the potential difference between segment output and common output is  $\pm VLCD$ . Otherwise it turns off.

During reset, the power switch of LCD driver is automatically turned off, shutting off the VLC voltage.

After reset, if the P\*LCR register (\*; Port No.) for each port is set to "1" with LCDCR<EDSP> = "0", a GND level is output from the pin which can be used as segment.

The power switch is turned on to supply VLC voltage to LCD driver by setting with LCDCR<EDSP> to "1".

If the IDLE0, SLEEP0, or STOP mode is activated, LCDCR<EDSP> is automatically changed to "0" to blank the display. To turn the display back on after releasing from the previous mode, set LCDCR<EDSP> to "1" again.

Note: During reset, the LCD common outputs (COM3 to COM0) are fixed "0" level. However, the multiplex port (input/output port or SEG output is selectable) becomes high impedance. Therefore, when the reset input is long remarkably, ghost problem may appear in LCD display.

### 15.2.4 Adjusting the LCD panel drive capability

The LCD panel drive capability can be adjusted by programming LCDCR<LRSE>. When the period of enabling of the low bleeder resistor is lengthened, the drive capability becomes higher while the power consumption increases. Reversely, when the period of enabling of the low bleeder resistor is shortened, the drive capability becomes lower while the power consumption decreases. If the drive capability is not enough, the LCD display might present a ghost problem. So, implement the optimum drive capability for the LCD panel used. The figure below shows the bleeder resistance timing and equivalent circuit for 1/4 duty and 1/3 bias.

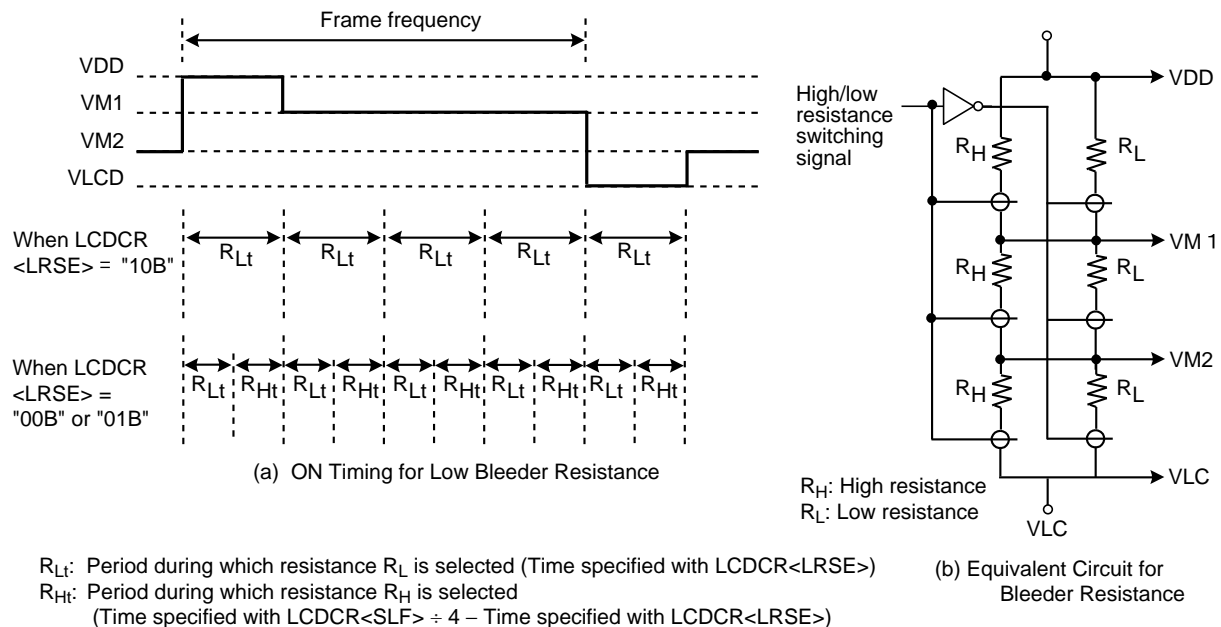


Figure 15-3 Bleeder Resistance Selection with LCDCR<LRSE> (for 1/4 duty and 1/3 bias)

## 15.3 LCD Display Operation

### 15.3.1 Display data setting

Display data is stored to the display data area (address 0F84H to 0F8FH, 12 bytes) in the DBR. The display data stored in the display data area is automatically read out and sent to the LCD driver by the hardware. The LCD driver generates the segment signal and common signal according to the display data and driving method. Therefore, display patterns can be changed by only over writing the contents of display data area by the program. Table 15-4 shows the correspondence between the display data area and SEG/COM pins.

LCD light when display data is “1” and turn off when “0”. According to the driving method of LCD, the number of pixels which can be driven becomes different, and the number of bits in the display data area which is used to store display data also becomes different.

Therefore, the bits which are not used to store display data as well as the data buffer which corresponds to the addresses not connected to LCD can be used to store general user process data (see Table 15-3).

Table 15-3 Driving Method and Bit for Display Data

| Driving methods | Bit 7/3 | Bit 6/2 | Bit 5/1 | Bit 4/0 |
|-----------------|---------|---------|---------|---------|
| 1/4 Duty        | COM3    | COM2    | COM1    | COM0    |
| 1/3 Duty        | –       | COM2    | COM1    | COM0    |
| 1/2 Duty        | –       | –       | COM1    | COM0    |
| Static          | –       | –       | –       | COM0    |

Note: –: This bit is not used for display data

Table 15-4 LCD Display Data Area (DBR)

| Address | Bit 7 | Bit 6 | Bit 5 | Bit 4 | Bit 3    | Bit 2 | Bit 1 | Bit 0 |
|---------|-------|-------|-------|-------|----------|-------|-------|-------|
| 0F84H   | SEG9  |       |       |       | Reserved |       |       |       |
| 0F85H   | SEG11 |       |       |       | SEG10    |       |       |       |
| 0F86H   | SEG13 |       |       |       | SEG12    |       |       |       |
| 0F87H   | SEG15 |       |       |       | SEG14    |       |       |       |
| 0F88H   | SEG17 |       |       |       | SEG16    |       |       |       |
| 0F89H   | SEG19 |       |       |       | SEG18    |       |       |       |
| 0F8AH   | SEG21 |       |       |       | SEG20    |       |       |       |
| 0F8BH   | SEG23 |       |       |       | SEG22    |       |       |       |
| 0F8CH   | SEG25 |       |       |       | SEG24    |       |       |       |
| 0F8DH   | SEG27 |       |       |       | SEG26    |       |       |       |
| 0F8EH   | SEG29 |       |       |       | SEG28    |       |       |       |
| 0F8FH   | SEG31 |       |       |       | SEG30    |       |       |       |
|         | COM3  | COM2  | COM1  | COM0  | COM3     | COM2  | COM1  | COM0  |

### 15.3.2 Blanking

Blanking is enabled when LCDCR<EDSP> is cleared to “0”.

To blank the LCD display and turn it off, a GND-level signal is output to the COM pin and the port which can be used as the segment by setting of P\*LCR register (\*; Port No.). At this time, the power switch of VLC pin is turned off.



## 15.4 Control Method of LCD Driver

### 15.4.1 Initial setting

Figure 15-4 shows the flowchart of initialization.

Example :To operate a 1/4 duty LCD of 32 segments × 4 com-mons at frame frequency  $fc/2^{16}$  [Hz],  
 The period of enabling of the low bleeder resistor:  $2^8/fc$

```

LD      (LCDCR), 00000001B      ; Sets LCD driving method, The period of enabling of low bleeder
                                  resistor and frame frequency.
LD      (P*LCR), 0FFH          ; Sets segment output control register. (*; Port No.)
:      :
:      :
LD      (LCDCR), 10000001B      ; Display enable
    
```

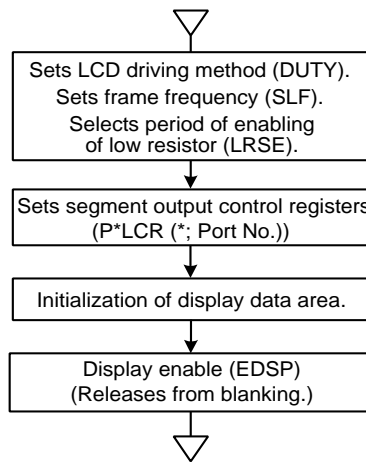


Figure 15-4 Initial Setting of LCD Driver

### 15.4.2 Store of display data

Generally, display data are prepared as fixed data in program memory (ROM) and stored in display data area by load command.

Example :(1) To display using 1/4 duty LCD a numerical value which corresponds to the LCD data stored in data memory at address 80H (when pins COM and SEG are connected to LCD as in Figure 15-5), display data become as shown in Table 15-5.

```

LD      A, (80H)
ADD     A, TABLE-$-7
LD      HL, 0F85H
LD      W, (PC + A)
LD      (HL), W
RET
TABLE:  DB      11011111B, 00000110B,
              11100011B, 10100111B,
              00110110B, 10110101B,
              11110101B, 00010111B,
              11110111B, 10110111B
    
```

Note: DB is a byte data definition instruction.

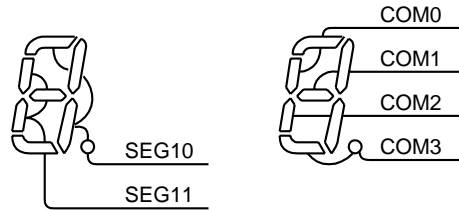






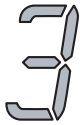





Figure 15-5 Example of COM, SEG Pin Connection (1/4 duty)

Table 15-5 Example of Display Data (1/4 duty)

| No. | Display   | Display data | No. | Display  | Display data |
|-----|---|--------------|-----|--|--------------|
| 0   |    | 11011111     | 5   |    | 10110101     |
| 1   |    | 00000110     | 6   |    | 11110101     |
| 2   |   | 11100011     | 7   |   | 00000111     |
| 3   |  | 10100111     | 8   |  | 11110111     |
| 4   |  | 00110110     | 9   |  | 10110111     |

Example: (2) Table 15-6 shows an example of display data which are displayed using 1/2 duty LCD in the same way as Table 15-5. The connection between pins COM and SEG are the same as shown in Figure 15-6.

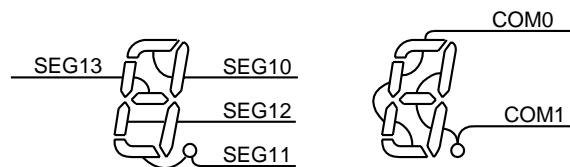


Figure 15-6 Example of COM, SEG Pin Connection

Table 15-6 Example of Display Data (1/2 duty)

| Number | Display data       |                   | Number | Display data       |                   |
|--------|--------------------|-------------------|--------|--------------------|-------------------|
|        | High order address | Low order address |        | High order address | Low order address |
| 0      | **01**11           | **01**11          | 5      | **11**10           | **01**01          |
| 1      | **00**10           | **00**10          | 6      | **11**11           | **01**01          |
| 2      | **10**01           | **01**11          | 7      | **01**10           | **00**11          |
| 3      | **10**10           | **01**11          | 8      | **11**11           | **01**11          |
| 4      | **11**10           | **00**10          | 9      | **11**10           | **01**11          |

Note: \*: Don't care

15.4.3 Example of LCD driver output

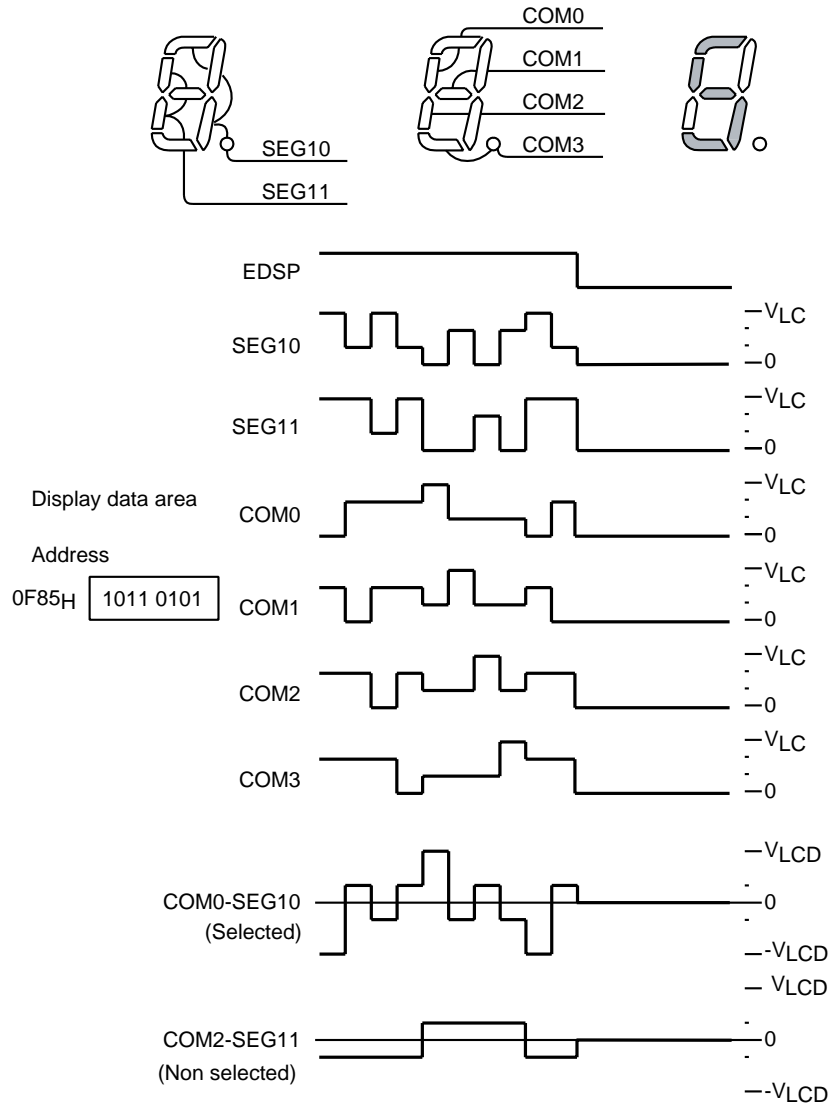


Figure 15-7 1/4 Duty (1/3 Bias) Drive

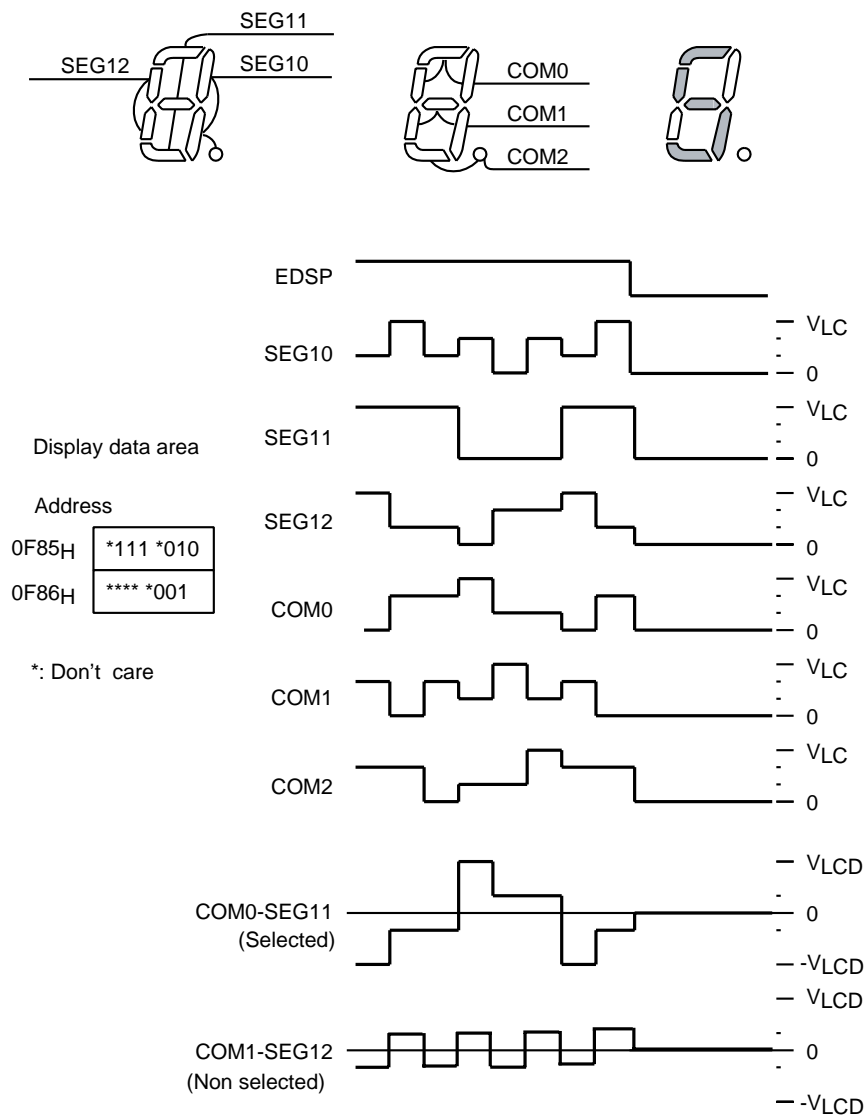


Figure 15-8 1/3 Duty (1/3 Bias) Drive

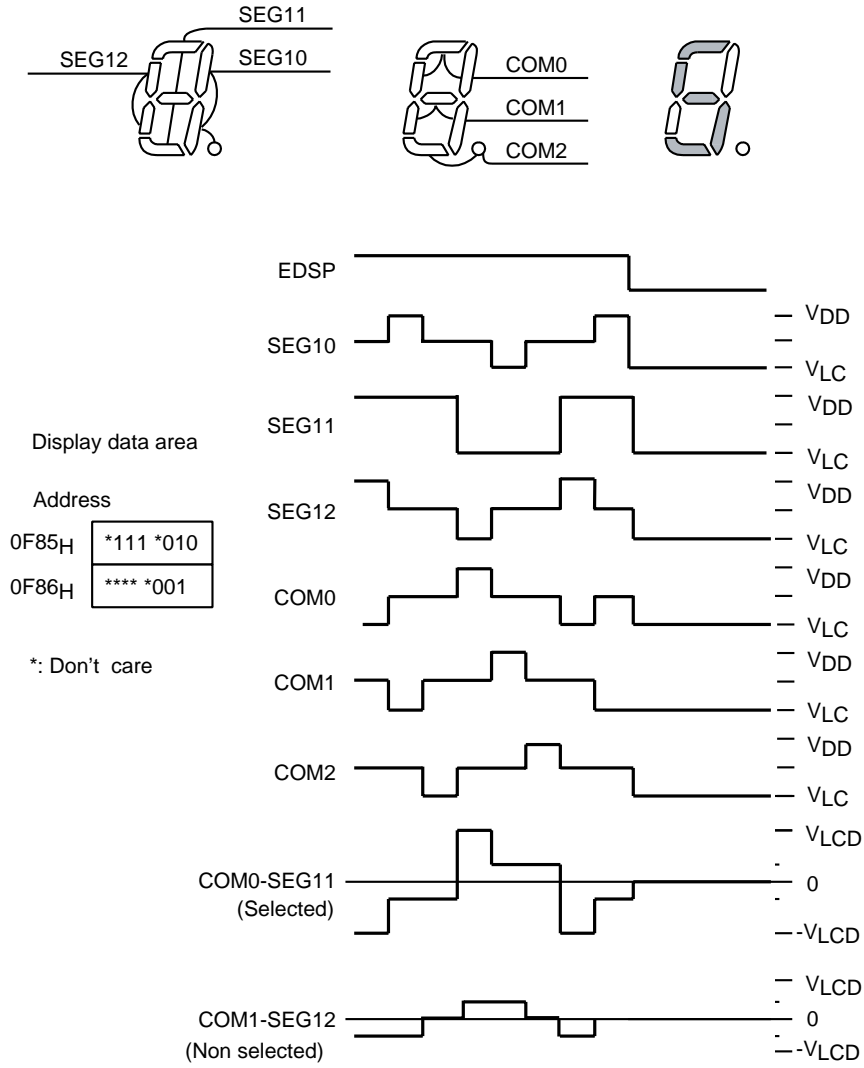


Figure 15-9 1/3 Duty (1/2 Bias) Drive

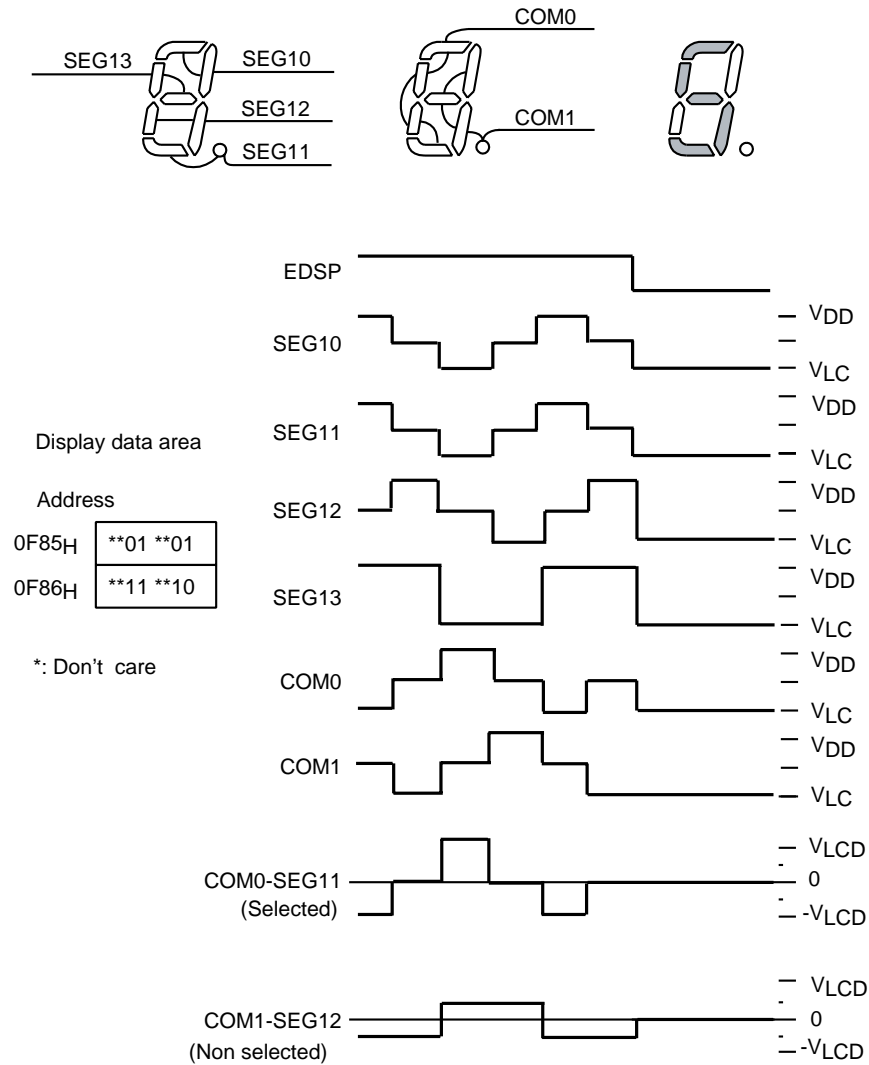


Figure 15-10 1/2 Duty (1/2 Bias) Drive

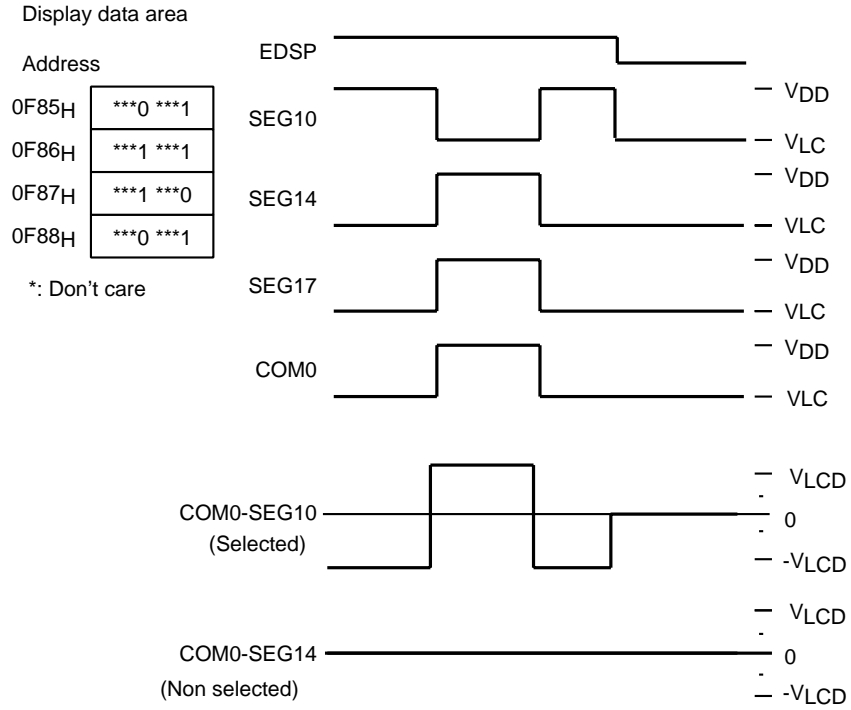
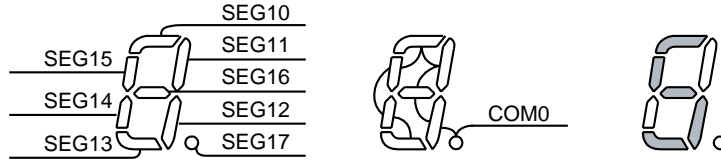


Figure 15-11 Static Drive





# 16. Input/Output Circuit

## 16.1 Control pins

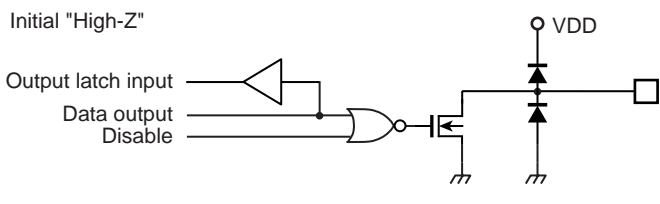
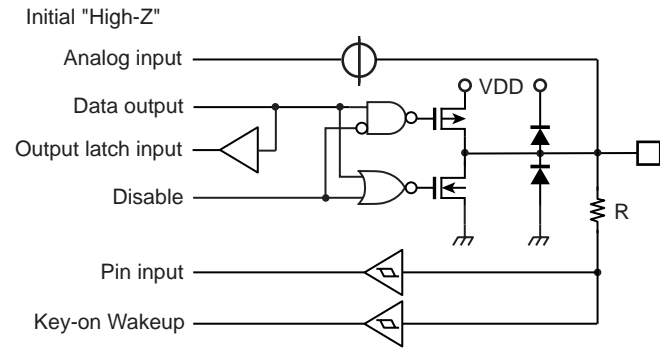
The input/output circuitries of the TMP86CH22UG control pins are shown below.

| Control Pin               | I/O             | Input/Output Circuitry | Remarks   |
|---------------------------|-----------------|------------------------|---|
| XIN<br>XOUT               | Input<br>Output |                        | Resonator connecting pins<br>(high frequency)<br>$R_f = 1.2 \text{ M}\Omega$ (typ.)<br>$R_0 = 0.5 \text{ k}\Omega$ (typ.) |
| XTIN<br>XTOUT             | Input<br>Output |                        | Resonator connecting pins<br>(Low frequency)<br>$R_f = 6 \text{ M}\Omega$ (typ.)<br>$R_0 = 220 \text{ k}\Omega$ (typ.)    |
| $\overline{\text{RESET}}$ | Input           |                        | Hysteresis input<br>Pull-up resistor<br>$R_{IN} = 220 \text{ k}\Omega$ (typ.)<br>$R = 100 \Omega$ (typ.)                  |
| TEST                      | Input           |                        | Pull-down resistor<br>$R_{IN} = 70 \text{ k}\Omega$ (typ.)<br>$R = 100 \Omega$ (typ.)                                     |

Note: The TEST pin of TMP86PH22UG does not have a pull-down resistor. Fix the TEST pin at Low level.

## 16.2 Input/Output Ports

| Port                   | I/O | Input/Output Circuitry  | Remarks  |
|------------------------|-----|-------------------------|--|
| P1                     | I/O | <p>Initial "High-Z"</p> | <p>Tri-state I/O<br/>Hysteresis input<br/>R = 100 <math>\Omega</math> (typ.)<br/>LCD segment output</p>        |
| P5<br>P70<br>to<br>P76 | I/O | <p>Initial "High-Z"</p> | <p>Tri-state I/O<br/>R = 100 <math>\Omega</math> (typ.)<br/>LCD segment output</p>                             |
| P20                    | I/O | <p>Initial "High-Z"</p> | <p>Sink open drain output<br/>Hysteresis input<br/>R = 100 <math>\Omega</math> (typ.)</p>                      |
| P21<br>P22             | I/O | <p>Initial "High-Z"</p> | <p>Sink open drain output<br/>Hysteresis input<br/>R = 100 <math>\Omega</math> (typ.)</p>                      |
| P33<br>P34             | I/O | <p>Initial "High-Z"</p> | <p>Tri-state I/O<br/>Hysteresis input<br/>High current output (Nch)<br/>R = 100 <math>\Omega</math> (typ.)</p> |

| Port       | I/O    | Input/Output Circuitry   | Remarks   |
|------------|--------|--|---|
| P37        | Output | <p>Initial "High-Z"</p>  <p>Output latch input<br/>Data output<br/>Disable</p> <p>VDD</p>  | <p>Sink open drain output<br/>High current output (Nch)</p>   |
| P61 to P64 | I/O    | <p>Initial "High-Z"</p>  <p>Analog input<br/>Data output<br/>Output latch input<br/>Disable</p> <p>VDD</p> <p>R</p> <p>Pin input<br/>Key-on Wakeup</p> | <p>Tri-state I/O<br/>Hysteresis input<br/>R = 100 Ω (typ.)<br/>Analog input<br/>Key on wake up input (P64 only)</p> |



## 17. Electrical Characteristics

### 17.1 Absolute Maximum Ratings

The absolute maximum ratings are rated values which must not be exceeded during operation, even for an instant. Any one of the ratings must not be exceeded. If any absolute maximum rating is exceeded, a device may break down or its performance may be degraded, causing it to catch fire or explode resulting in injury to the user. Thus, when designing products which include this device, ensure that no absolute maximum rating value will ever be exceeded.

( $V_{SS} = 0\text{ V}$ )

| Parameter  | Symbol            | Pins                          | Rating                 | Unit               |
|--|-------------------|-------------------------------|------------------------|--------------------|
| Supply Voltage                                       | $V_{DD}$          |                               | -0.3 to 6.5            | V                  |
| Input Voltage  | $V_{IN}$          |                               | -0.3 to $V_{DD} + 0.3$ | V                  |
| Output Voltage                                       | $V_{OUT1}$        |                               | -0.3 to $V_{DD} + 0.3$ | V                  |
| Output Current (Per 1 pin)                           | $I_{OUT1}$        | P1, P33, P34, P5, P6, P7 Port | -1.8                   | mA                 |
|  | $I_{OUT2}$        | P1, P2, P5, P6, P7 Port       | 3.2                    |                    |
|  | $I_{OUT3}$        | P33, P34, P37 Port            | 30                     |                    |
| Output Current (Total)                               | $\Sigma I_{OUT1}$ | P1, P33, P34, P5, P6, P7 Port | -30                    |                    |
|  | $\Sigma I_{OUT2}$ | P1, P2, P5, P6, P7 Port       | 60                     |                    |
|  | $\Sigma I_{OUT3}$ | P33, P34, P37 Port            | 60                     |                    |
| Power Dissipation [ $T_{opr} = 85^{\circ}\text{C}$ ] | PD                |                               | 350                    |                    |
| Soldering Temperature (Time)                         | $T_{sld}$         |                               | 260 (10 s)             |                    |
| Storage Temperature                                  | $T_{stg}$         |                               | -55 to 125             | $^{\circ}\text{C}$ |
| Operating Temperature                                | $T_{opr}$         |                               | -40 to 85              |                    |

## 17.2 Recommended Operating Condition

The recommended operating conditions for a device are operating conditions under which it can be guaranteed that the device will operate as specified. If the device is used under operating conditions other than the recommended operating conditions (supply voltage, operating temperature range, specified AC/DC values etc.), malfunction may occur. Thus, when designing products which include this device, ensure that the recommended operating conditions for the device are always adhered to.

(V<sub>SS</sub> = 0 V, T<sub>opr</sub> = -40 to 85°C)

| Parameter         | Symbol           | Pins                    | Condition                        | Min                     | Max                     | Unit |                        |
|-------------------|------------------|-------------------------|----------------------------------|-------------------------|-------------------------|------|------------------------|
| Supply Voltage    | V <sub>DD</sub>  |                         | f <sub>c</sub> = 16 MHz          | NORMAL1, 2 mode         | 4.5                     | 5.5  | V                      |
|                   |                  |                         |                                  | IDLE0, 1, 2 mode        |                         |      |                        |
|                   |                  |                         | f <sub>c</sub> = 8 MHz           | NORMAL1, 2 mode         | 2.7                     |      |                        |
|                   |                  |                         |                                  | IDLE0, 1, 2 mode        |                         |      |                        |
|                   |                  |                         | f <sub>c</sub> = 4.2MHz          | NORMAL1, 2 mode         | 1.8<br>(Note1)          |      |                        |
|                   |                  |                         |                                  | IDLE0, 1, 2 mode        |                         |      |                        |
|                   |                  |                         | f <sub>s</sub> = 32.768 kHz      | SLOW1, 2 mode           |                         |      |                        |
| SLEEP0, 1, 2 mode |                  |                         |                                  |                         |                         |      |                        |
|                   |                  | STOP mode               |                                  |                         |                         |      |                        |
| Input High Level  | V <sub>IH1</sub> | Except Hysteresis input | V <sub>DD</sub> ≥ 4.5 V          | V <sub>DD</sub> × 0.70  | V <sub>DD</sub>         |      |                        |
|                   | V <sub>IH2</sub> | Hysteresis input        |                                  | V <sub>DD</sub> × 0.75  |                         |      |                        |
|                   | V <sub>IH3</sub> |                         |                                  | V <sub>DD</sub> < 4.5 V |                         |      | V <sub>DD</sub> × 0.90 |
| Input Low Level   | V <sub>IL1</sub> | Except Hysteresis input | V <sub>DD</sub> ≥ 4.5 V          | 0                       | V <sub>DD</sub> × 0.30  |      |                        |
|                   | V <sub>IL2</sub> | Hysteresis input        |                                  |                         | V <sub>DD</sub> × 0.25  |      |                        |
|                   | V <sub>IL3</sub> |                         |                                  |                         | V <sub>DD</sub> < 4.5 V |      | V <sub>DD</sub> × 0.10 |
| Clock Frequency   | f <sub>c</sub>   | XIN, XOUT               | V <sub>DD</sub> = 1.8 V to 5.5 V | 1.0                     | 4.2                     | MHz  |                        |
|                   |                  |                         | V <sub>DD</sub> = 2.7 V to 5.5 V |                         | 8.0                     |      |                        |
|                   |                  |                         | V <sub>DD</sub> = 4.5 V to 5.5 V |                         | 16.0                    |      |                        |
|                   | f <sub>s</sub>   | XTIN, XTOUT             |                                  | 30.0                    | 34.0                    | kHz  |                        |

Note 1: When the supply voltage is 1.8 V ≤ V<sub>DD</sub> < 2.0 V, the operating temperature is T<sub>opr</sub> = -20 to 85°C.

### 17.3 DC Characteristics

(V<sub>SS</sub> = 0 V, T<sub>opr</sub> = -40 to 85°C)

| Parameter                          | Symbol           | Pins                                      | Condition  | Min  | Typ. | Max  | Unit |
|------------------------------------|------------------|---|--|------|------|------|------|
| Hysteresis Voltage                 | V <sub>HS</sub>  | Hysteresis input                          |  | -    | 0.9  | -    | V    |
| Input Current                      | I <sub>IN1</sub> | TEST                                      | V <sub>DD</sub> = 5.5 V, V <sub>IN</sub> = 0 V   | -    | -    | -2   | μA   |
|                                    | I <sub>IN2</sub> | Sink Open Drain, Tri-state                | V <sub>DD</sub> = 5.5 V, V <sub>IN</sub> = 5.5 V/0 V   | -    | -    | ±2   |      |
|                                    | I <sub>IN3</sub> | $\overline{\text{RESET}}$                 | V <sub>DD</sub> = 5.5 V, V <sub>IN</sub> = 5.5 V   | -    | -    | +2   |      |
| Input Resistance                   | R <sub>IN1</sub> | TEST Pull-Down                            | V <sub>DD</sub> = 5.5 V, V <sub>IN</sub> = 5.5 V   | -    | 70   | -    | kΩ   |
|                                    | R <sub>IN2</sub> | $\overline{\text{RESET}}$ Pull-Up         | V <sub>DD</sub> = 5.5 V, V <sub>IN</sub> = 0 V   | 100  | 220  | 450  |      |
| Output leakage current             | I <sub>LO1</sub> | Sink Open Drain Port                      | V <sub>DD</sub> = 5.5 V, V <sub>OUT</sub> = 5.5 V  | -    | -    | 2    | μA   |
|                                    | I <sub>LO2</sub> | Tri-state Port                            | V <sub>DD</sub> = 5.5 V, V <sub>OUT</sub> = 5.5 V/0 V  | -    | -    | ±2   |      |
| Output High Voltage                | V <sub>OH</sub>  | C-MOS, Tri-state Port                     | V <sub>DD</sub> = 4.5 V, I <sub>OH</sub> = -0.7 mA   | 4.1  | -    | -    | V    |
| Output Low Voltage                 | V <sub>OL</sub>  | Except XOUT, P33, P34 and P37 Port        | V <sub>DD</sub> = 4.5 V, I <sub>OL</sub> = 1.6 mA  | -    | -    | 0.4  |      |
| Output Low Current                 | I <sub>OL</sub>  | High Current Port (P33, P34 and P37 Port) | V <sub>DD</sub> = 4.5 V, V <sub>OL</sub> = 1.0 V   | -    | 20   | -    | mA   |
| Supply Current in NORMAL1, 2 mode  | I <sub>DD</sub>  |   | V <sub>DD</sub> = 5.5 V<br>V <sub>IN</sub> = 5.3 V/0.2 V<br>f <sub>c</sub> = 16 MHz<br>f <sub>s</sub> = 32.768 kHz<br>(Except LCD current, Include AD current) | -    | 11.1 | 16.0 | mA   |
| Supply Current in IDLE0, 1, 2 mode |                  |   |  | -    | 7.1  | 11.0 |      |
| Supply Current in NORMAL1, 2 mode  |                  |   | -  | 10.5 | 15.0 |      |      |
| Supply Current in IDLE0, 1, 2 mode |                  |   | -  | 6.5  | 10.0 |      |      |
| Supply Current in SLOW1 mode       |                  |   | -  | 10   | 21   | μA   |      |
| Supply Current in SLEEP1 mode      |                  |   | -  | 7.5  | 16   |      |      |
| Supply Current in SLEEP0 mode      |                  |   | -  | 5    | 12   |      |      |
| Supply Current in STOP mode        |                  |   | -  | 0.5  | 10   |      |      |

Note 1: Typical values show those at T<sub>opr</sub> = 25°C, V<sub>DD</sub> = 5 V

Note 2: Input current (I<sub>IN1</sub>, I<sub>IN3</sub>): The current through pull-up or pull-down resistor is not included.

Note 3: When the LCD driver is enable, I<sub>LCD</sub> current is added to I<sub>DD</sub>. Refer to the LCD characteristics about I<sub>LCD</sub>. When the AD converter is enable, ladder resistance current is added to I<sub>DD</sub>.

Note 4: The supply currents of SLOW2 and SLEEP2 modes are equivalent to IDLE0, 1, 2.

## 17.4 LCD Characteristics

( $V_{SS} = 0\text{ V}$ ,  $T_{opr} = -40\text{ to }85^\circ\text{C}$ )

| Parameter                                  | Symbol     | Pins        | Condition   | Min | Typ. | Max | Unit             |
|--|------------|-------------|---|-----|------|-----|------------------|
| LCD resistor current<br>( $V_{DD} - VLC$ ) | $I_{LCD}$  |             | $V_{DD} = 5.5\text{ V}$ , $VLC = 0\text{ V}$<br>$R_{OS1} = R_{OC1} = 20\text{k}\Omega$<br>1/4 Duty, 1/3 Bias  | –   | 92   | –   | $\mu\text{A}$    |
|  |            |             | $V_{DD} = 5.5\text{ V}$ , $VLC = 0\text{ V}$<br>$R_{OS1} = R_{OC1} = 200\text{k}\Omega$<br>1/4 Duty, 1/3 Bias | –   | 9.2  | –   |                  |
|  |            |             | $V_{DD} = 3.0\text{ V}$ , $VLC = 0\text{ V}$<br>$R_{OS1} = R_{OC1} = 20\text{k}\Omega$<br>1/4 Duty, 1/3 Bias  | –   | 50   | –   |                  |
|  |            |             | $V_{DD} = 3.0\text{ V}$ , $VLC = 0\text{ V}$<br>$R_{OS1} = R_{OC1} = 200\text{k}\Omega$<br>1/4 Duty, 1/3 Bias | –   | 5    | –   |                  |
| Segment Output Low Resistance              | $R_{OS1}$  | SEG pin     |   | –   | 20   | –   | $\text{k}\Omega$ |
| Common Output Low Resistance               | $R_{OC1}$  | COM pin     |   | –   | 20   | –   |                  |
| Segment Output High Resistance             | $R_{OS2}$  | SEG pin     |   | –   | 200  | –   |                  |
| Common Output High Resistance              | $R_{OC2}$  | COM pin     |   | –   | 200  | –   |                  |
| Segment/Common Output Voltage              | $V_{O2/3}$ | SEG/COM pin | $V_{DD} = 5.0\text{ V}$ , $VLC = 2.0\text{ V}$  | 3.8 | –    | 4.2 | $\text{V}$       |
|  | $V_{O1/2}$ |             |   | 3.3 | –    | 3.7 |                  |
|  | $V_{O1/3}$ |             |   | 2.8 | –    | 3.2 |                  |

Note 1: Output resistors  $R_{OS}$  and  $R_{OC}$  indicate "ON" when switching levels.

Note 2:  $V_{O2/3}$  indicates the output voltage at 2/3 level when operating in the 1/4 or 1/3 duty mode.

Note 3:  $V_{O1/2}$  indicates the output voltage at 1/2 level when operating in the 1/2 or static duty mode.

Note 4:  $V_{O1/3}$  indicates the output voltage at 1/3 level when operating in the 1/4 or 1/3 duty mode.

Note 5: When using LCD, it is necessary to consider values of  $R_{OS1/2}$  and  $R_{OC1/2}$ .



## 17.5 AD Conversion Characteristics

 $(V_{SS} = 0.0\text{ V}, 4.5\text{ V} \leq V_{DD} \leq 5.5\text{ V}, \text{To pr} = -40\text{ to }85^\circ\text{C})$ 

| Parameter            | Symbol    | Condition  | Min      | Typ. | Max      | Unit |
|----------------------|-----------|--|----------|------|----------|------|
| Analog Input Voltage | $V_{AIN}$ |  | $V_{SS}$ | –    | $V_{DD}$ | V    |
| Non linearity Error  |           | $V_{DD} = 5.0\text{ V}$<br>$V_{SS} = 0.0\text{ V}$ | –        | –    | $\pm 1$  | LSB  |
| Zero Point Error     |           |  | –        | –    | $\pm 1$  |      |
| Full Scale Error     |           |  | –        | –    | $\pm 1$  |      |
| Total Error          |           |  | –        | –    | $\pm 2$  |      |

 $(V_{SS} = 0.0\text{ V}, 2.7\text{ V} \leq V_{DD} < 4.5\text{ V}, \text{To pr} = -40\text{ to }85^\circ\text{C})$ 

| Parameter            | Symbol    | Condition  | Min      | Typ. | Max      | Unit |
|----------------------|-----------|--|----------|------|----------|------|
| Analog Input Voltage | $V_{AIN}$ |  | $V_{SS}$ | –    | $V_{DD}$ | V    |
| Non linearity Error  |           | $V_{DD} = 2.7\text{ V}$<br>$V_{SS} = 0.0\text{ V}$ | –        | –    | $\pm 1$  | LSB  |
| Zero Point Error     |           |  | –        | –    | $\pm 1$  |      |
| Full Scale Error     |           |  | –        | –    | $\pm 1$  |      |
| Total Error          |           |  | –        | –    | $\pm 2$  |      |

 $(V_{SS} = 0.0\text{ V}, 2.0\text{ V} \leq V_{DD} < 2.7\text{ V}, \text{To pr} = -40\text{ to }85^\circ\text{C})$  (Note 4)

 $(V_{SS} = 0.0\text{ V}, 1.8\text{ V} \leq V_{DD} < 2.0\text{ V}, \text{To pr} = -10\text{ to }85^\circ\text{C})$  (Note 4)

| Parameter            | Symbol    | Condition  | Min      | Typ. | Max      | Unit |
|----------------------|-----------|--|----------|------|----------|------|
| Analog Input Voltage | $V_{AIN}$ |  | $V_{SS}$ | –    | $V_{DD}$ | V    |
| Non linearity Error  |           | $V_{DD} = 1.8\text{ V}$<br>$V_{SS} = 0.0\text{ V}$ | –        | –    | $\pm 2$  | LSB  |
| Zero Point Error     |           |  | –        | –    | $\pm 2$  |      |
| Full Scale Error     |           |  | –        | –    | $\pm 2$  |      |
| Total Error          |           |  | –        | –    | $\pm 4$  |      |

Note 1: The total error includes all errors except a quantization error, and is defined as maximum deviation from the ideal conversion line.

Note 2: Conversion time is different in recommended value by power supply voltage.  
About conversion time, please refer to "8-bit AD converter (ADC)".

Note 3: Please use input voltage to AIN input Pin in limit of  $V_{DD} - V_{SS}$ .  
When voltage of range outside is input, conversion value becomes unsettled and gives affect to other channel conversion value.

Note 4: When AD is used with  $V_{DD} < 2.0\text{ V}$ , the guaranteed temperature range varies with the operating voltage.

## 17.6 AC Characteristics

( $V_{SS} = 0\text{ V}$ ,  $V_{DD} = 4.5\text{ to }5.5\text{ V}$ ,  $T_{opr} = -40\text{ to }85^\circ\text{C}$ )

| Parameter                    | Symbol    | Condition                                 | Min   | Typ.  | Max   | Unit          |
|------------------------------|-----------|---|-------|-------|-------|---------------|
| Machine Cycle Time           | tcy       | NORMAL1, 2 mode                           | 0.25  | –     | 4     | $\mu\text{s}$ |
|                              |           | IDLE1, 2 mode                             |       |       |       |               |
|                              |           | SLOW1, 2 mode                             | 117.6 | –     | 133.3 |               |
|                              |           | SLEEP1, 2 mode                            |       |       |       |               |
| High Level Clock Pulse Width | $t_{WCH}$ | For external clock operation (XIN input)  | –     | 31.25 | –     | ns            |
| Low Level Clock Pulse Width  | $t_{WCL}$ | $f_c = 16\text{ MHz}$                     |       |       |       |               |
| High Level Clock Pulse Width | $t_{WCH}$ | For external clock operation (XTIN input) | –     | 15.26 | –     | $\mu\text{s}$ |
| Low Level Clock Pulse Width  | $t_{WCL}$ | $f_s = 32.768\text{ kHz}$                 |       |       |       |               |

( $V_{SS} = 0\text{ V}$ ,  $V_{DD} = 2.7\text{ to }4.5\text{ V}$ ,  $T_{opr} = -40\text{ to }85^\circ\text{C}$ )

| Parameter                    | Symbol    | Condition                                 | Min   | Typ.  | Max   | Unit          |
|------------------------------|-----------|---|-------|-------|-------|---------------|
| Machine Cycle Time           | tcy       | NORMAL1, 2 mode                           | 0.5   | –     | 4     | $\mu\text{s}$ |
|                              |           | IDLE1, 2 mode                             |       |       |       |               |
|                              |           | SLOW1, 2 mode                             | 117.6 | –     | 133.3 |               |
|                              |           | SLEEP1, 2 mode                            |       |       |       |               |
| High Level Clock Pulse Width | $t_{WCH}$ | For external clock operation (XIN input)  | –     | 62.5  | –     | ns            |
| Low Level Clock Pulse Width  | $t_{WCL}$ | $f_c = 8\text{ MHz}$                      |       |       |       |               |
| High Level Clock Pulse Width | $t_{WCH}$ | For external clock operation (XTIN input) | –     | 15.26 | –     | $\mu\text{s}$ |
| Low Level Clock Pulse Width  | $t_{WCL}$ | $f_s = 32.768\text{ kHz}$                 |       |       |       |               |

( $V_{SS} = 0\text{ V}$ ,  $V_{DD} = 1.8\text{ to }2.7\text{ V}$ ,  $T_{opr} = -40\text{ to }85^\circ\text{C}$ )

| Parameter                    | Symbol    | Condition                                 | Min   | Typ.   | Max   | Unit          |
|------------------------------|-----------|---|-------|--------|-------|---------------|
| Machine Cycle Time           | tcy       | NORMAL1, 2 mode                           | 0.95  | –      | 4     | $\mu\text{s}$ |
|                              |           | IDLE1, 2 mode                             |       |        |       |               |
|                              |           | SLOW1, 2 mode                             | 117.6 | –      | 133.3 |               |
|                              |           | SLEEP1, 2 mode                            |       |        |       |               |
| High Level Clock Pulse Width | $t_{WCH}$ | For external clock operation (XIN input)  | –     | 119.05 | –     | ns            |
| Low Level Clock Pulse Width  | $t_{WCL}$ | $f_c = 4.2\text{ MHz}$                    |       |        |       |               |
| High Level Clock Pulse Width | $t_{WCH}$ | For external clock operation (XTIN input) | –     | 15.26  | –     | $\mu\text{s}$ |
| Low Level Clock Pulse Width  | $t_{WCL}$ | $f_s = 32.768\text{ kHz}$                 |       |        |       |               |

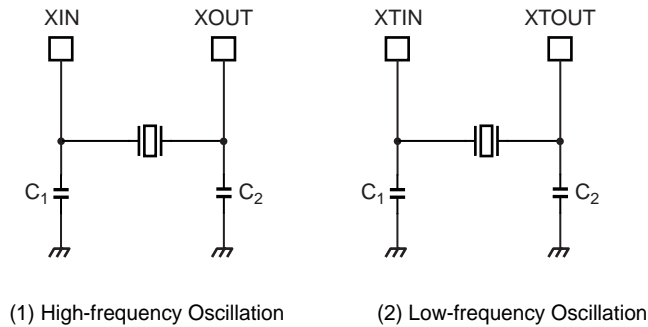
Note 1: When the supply voltage is  $1.8\text{ V} \leq V_{DD} < 2.0\text{ V}$ , the operating temperature is  $T_{opr} = -20\text{ to }85^\circ\text{C}$ .

### 17.7 Timer Counter 1 input (ECIN) Characteristics

(V<sub>SS</sub> = 0 V, Topr = -40 to 85°C)

| Parameter              | Symbol           | Condition  | Min               | Typ. | Max | Unit |     |
|------------------------|------------------|--|-------------------|------|-----|------|-----|
| TC1 input (ECIN input) | t <sub>TC1</sub> | Frequency measurement mode<br>V <sub>DD</sub> = 4.5 to 5.5 V | Single edge count | –    | –   | 16   | MHz |
|                        |                  |  | Both edge count   | –    | –   | 16   |     |
|                        |                  | Frequency measurement mode<br>V <sub>DD</sub> = 2.7 to 4.5 V | Single edge count | –    | –   | 8    |     |
|                        |                  |  | Both edge count   | –    | –   | 8    |     |
|                        |                  | Frequency measurement mode<br>V <sub>DD</sub> = 1.8 to 2.7 V | Single edge count | –    | –   | 4.2  |     |
|                        |                  |  | Both edge count   | –    | –   | 4.2  |     |

## 17.8 Recommended Oscillating Conditions



Note 1: A quartz resonator can be used for high-frequency oscillation only when  $V_{DD}$  is 2.7 V or above. If  $V_{DD}$  is below 2.7 V, use a ceramic resonator.

Note 2: To ensure stable oscillation, the resonator position, load capacitance, etc. must be appropriate. Because these factors are greatly affected by board patterns, please be sure to evaluate operation on the board on which the device will actually be mounted.

Note 3: For the resonators to be used with Toshiba microcontrollers, we recommend ceramic resonators manufactured by Murata Manufacturing Co., Ltd.

For details, please visit the website of Murata at the following URL:  
<http://www.murata.com>

## 17.9 Handling Precaution

- The solderability test conditions for lead-free products (indicated by the suffix G in product name) are shown below.

1. When using the Sn-37Pb solder bath
  - Solder bath temperature = 230 °C
  - Dipping time = 5 seconds
  - Number of times = once
  - R-type flux used
2. When using the Sn-3.0Ag-0.5Cu solder bath
  - Solder bath temperature = 245 °C
  - Dipping time = 5 seconds
  - Number of times = once
  - R-type flux used

Note: The pass criterion of the above test is as follows:

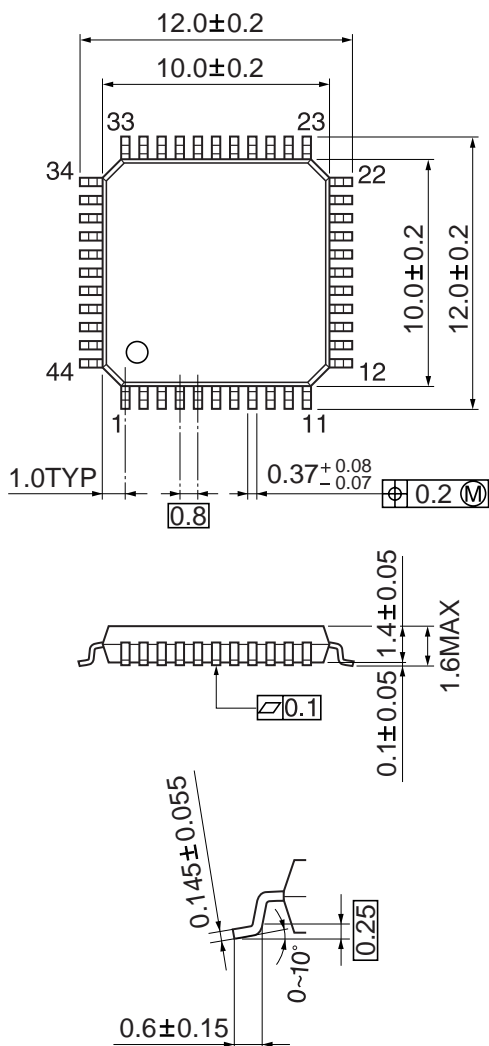
Solderability rate until forming  $\geq 95\%$

- When using the device (oscillator) in places exposed to high electric fields such as cathode-ray tubes, we recommend electrically shielding the package in order to maintain normal operating condition.

# 18. Package Dimension

P-LQFP44-1010-0.80B

Unit: mm





This is a technical document that describes the operating functions and electrical specifications of the 8-bit microcontroller series TLCS-870/C (LSI).

Toshiba provides a variety of development tools and basic software to enable efficient software development.

These development tools have specifications that support advances in microcomputer hardware (LSI) and can be used extensively. Both the hardware and software are supported continuously with version updates.

The recent advances in CMOS LSI production technology have been phenomenal and microcomputer systems for LSI design are constantly being improved. The products described in this document may also be revised in the future. Be sure to check the latest specifications before using.

Toshiba is developing highly integrated, high-performance microcomputers using advanced MOS production technology and especially well proven CMOS technology.

We are prepared to meet the requests for custom packaging for a variety of application areas.

We are confident that our products can satisfy your application needs now and in the future.

