

STEWART CONNECTOR

R.D. 2, BOX 2020 GLEN ROCK, PENNSYLVANIA 17327

SS-800810SB-SP30-040-250 (30 uIN GOLD)

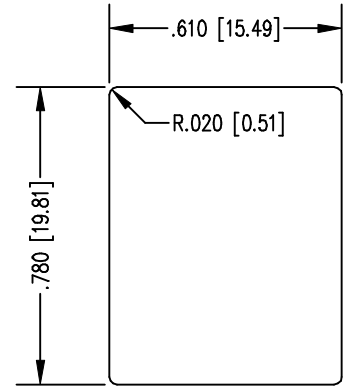
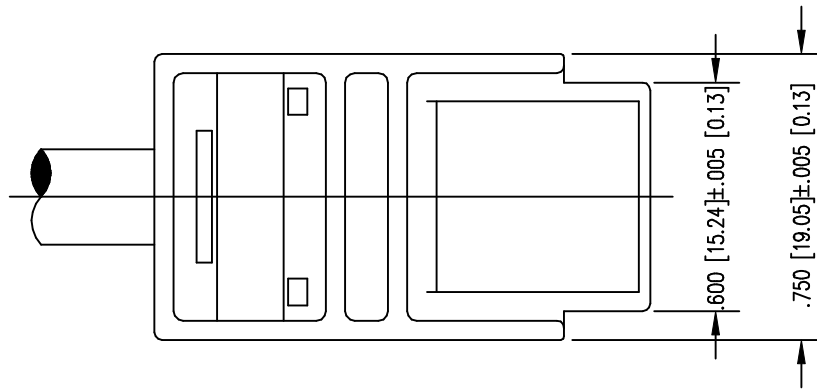
SS-800810SB-SP50-040-250 (50 uIN GOLD)

CABLE READY JACK ASSEMBLY

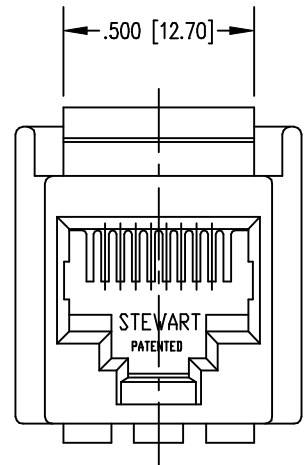
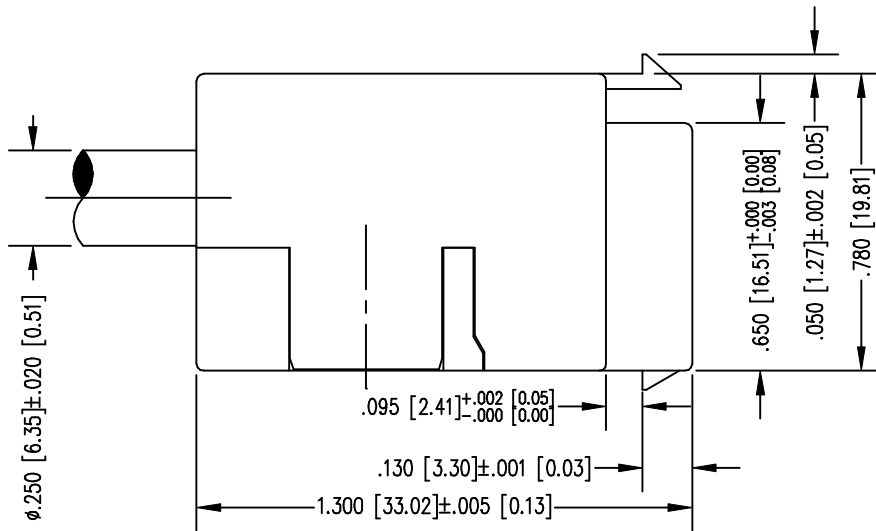
SB- INDICATES SHORT BODY, 1.300[33.02] LENGTH

040- .040 [1.02]/.047 [1.19] WIRE INSULATION DIA.

250- O.D. OF CABLE

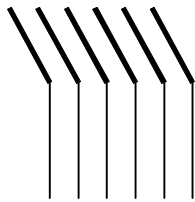


RECOMMENDED PANEL OPENING



NOTE:

- TOLERANCES COMPLY WITH F.C.C. DIMENSION REQUIREMENTS.
ALL OTHERS ±.003 [0.08] UNLESS OTHERWISE SPECIFIED.



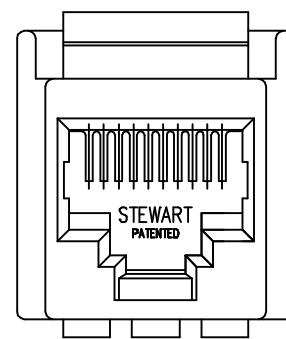
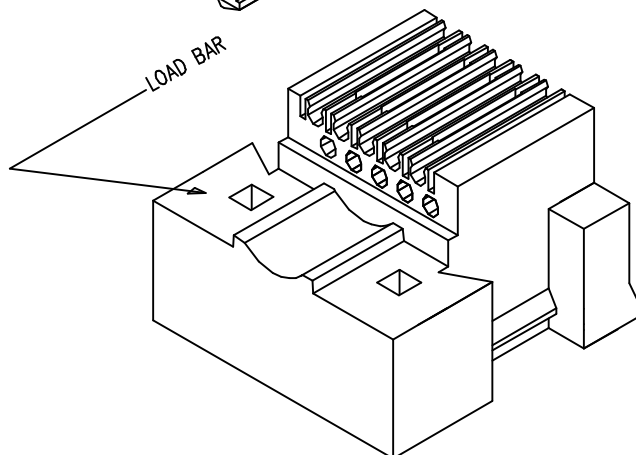
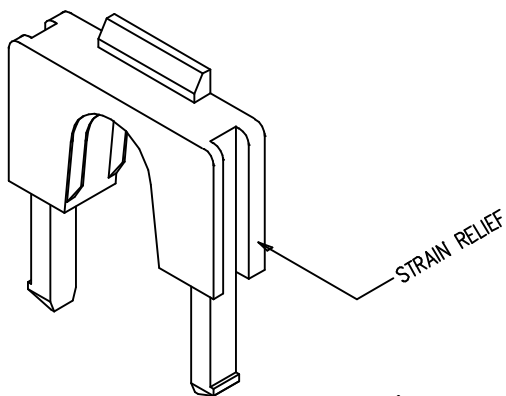
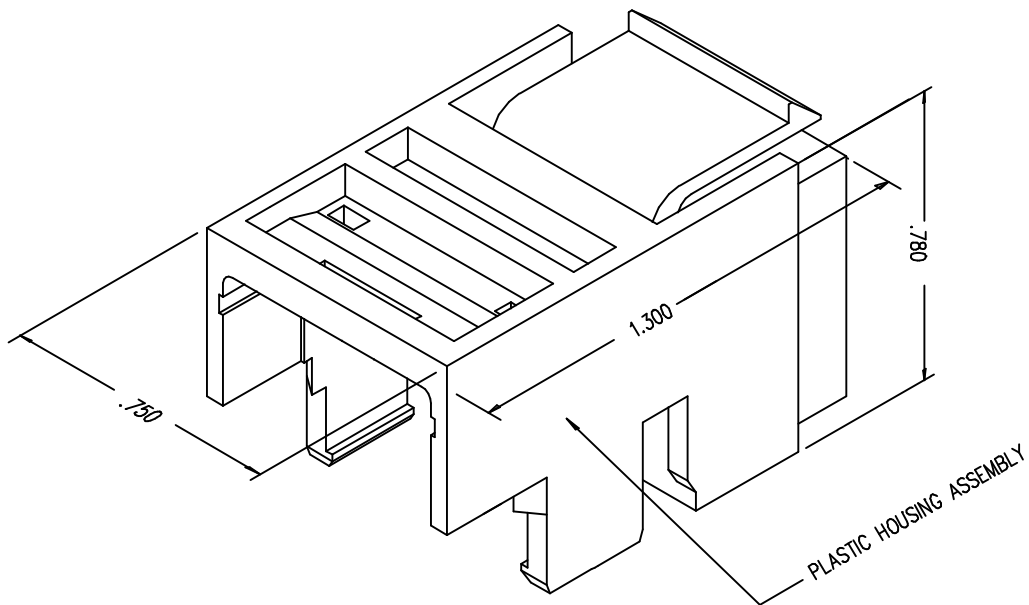
STEWART CONNECTOR

R.D. 2, BOX 2020 GLEN ROCK, PENNSYLVANIA 17327

PART NO.: SS-800810SB-SP30-040-250 (30 uIN GOLD)

PART NO.: SS-800810SB-SP50-040-250 (50 uIN GOLD)

CABLE READY JACK



FRONT VIEW OF HOUSING