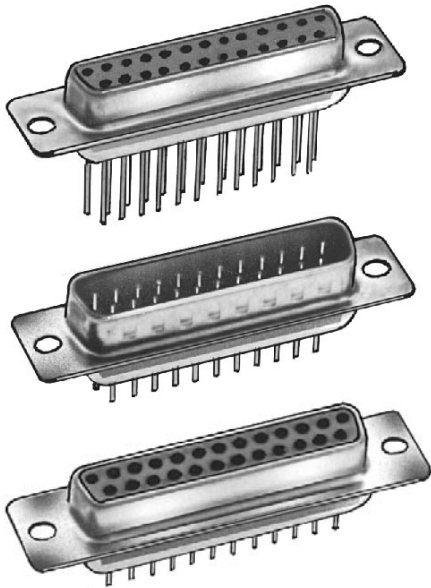


D-Subminiature Straight PCB Tail M21 Series



PART NUMBER LEGEND

M21X - XXX - XXX - XX

MOUNTING OPTIONS:

- 01 = .120" Mounting Holes
- 02 = Riveted, #4-40 clinch nuts
- 03 = Riveted, #4-40 jack screws
- 04 = Riveted, #4-40 standoffs with boardlocks

TAIL

- 02 = .180" PC Tail
- 03 = .500" Wire Wrap Tail

PROFILE

- 0 = Standard
- 1 = High

NUMBER OF POSITIONS

- 09, 15, 25, 37, 50

CONTACT TYPE

- P = Plug
- S = Socket

PLATING

- S = 5 μ m. Gold Nominal
- 8 = 30 μ m. Select Gold Nominal

OPTIONS: (add as suffix to end of part number)

EMI = Ferrule filtered version for EMI/RFI Suppression

SPECIFICATIONS:

Material:

Shell: Steel, tin-plated
 Insulator: Polybutylene Terephthalate (PBT), glass reinforced thermoplastic, rated UL 94V-0
 Insulator color: Black
 Optional color: White
 Contacts: Plug - Brass; Socket - Phosphor Bronze
 Rivet insert: Brass, nickel-plated

Plating:

Per MIL-G-45204, Type II, Grade C on contact area over 50 μ m nominal nickel underplate to QQ-N-290, Class 2, Grade C, gold flash on solder-pins

Electrical:

Operation voltage: 250 VDC max
 Current rating: 3 Amps max
 Contact resistance: 20 m Ω max
 Insulation resistance: 3000 M Ω min @ 500 VDC between adjacent contacts
 Dielectric withstanding voltage: 1000 VAC RMS (sea level)
 Capacitance: 2 pF max between adjacent contacts

Environmental:

Operating temperature: -55°C to +105°C

MATING OPTIONS:

Mates with Methode D-Sub Series M21 and M23 and all industry standard D-Subminiature connectors.

ACCESSORIES:

Dustcovers, hardware

PACKAGING:

Anti-static plastic trays available

APPROVALS AND CERTIFICATIONS:

Select parts recognized under the component program of Underwriters Laboratories, Inc. No. E167232
 Certified by Canadian Standards Association No. LR75112



North and South America:

Methode Electronics, Inc. Connector Products

1700 Hicks Road • Rolling Meadows, IL 60008 USA
 847-392-3500 • Toll Free: 800-323-6864 • Fax: 847-392-9404
 Email: info@methode.com • Web: www.methode.com/connector/index.html

Europe:

Methode Electronics Ireland, Ltd.

Unit H, Crossagalla Business Park, Ballysimon Rd. • Limerick, Ireland
 +353 (0) 61 401222 • Fax: +353 (0) 61 401942
 Email: info@methode.ie • Web: ireland.methode.com/main.html

Far East:

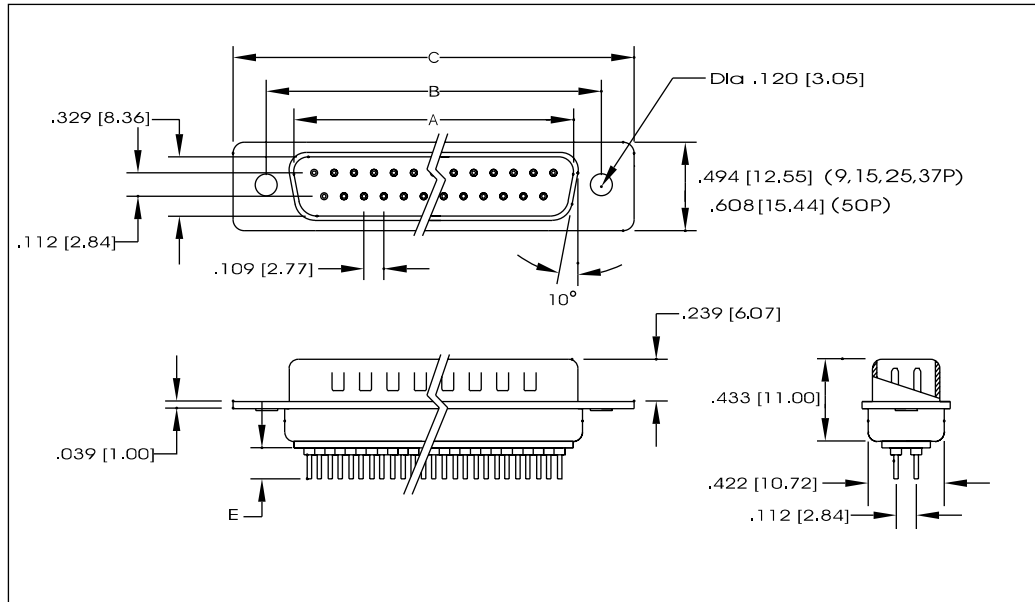
Methode Electronics Far East, Pte. Ltd.

1 Tuas Lane, Jurong Town • Singapore 638610
 65-68615444 • Fax: 65-68614777
 Email: sales@methode.com.sg • Web: www.methode.com/mefe/index.html

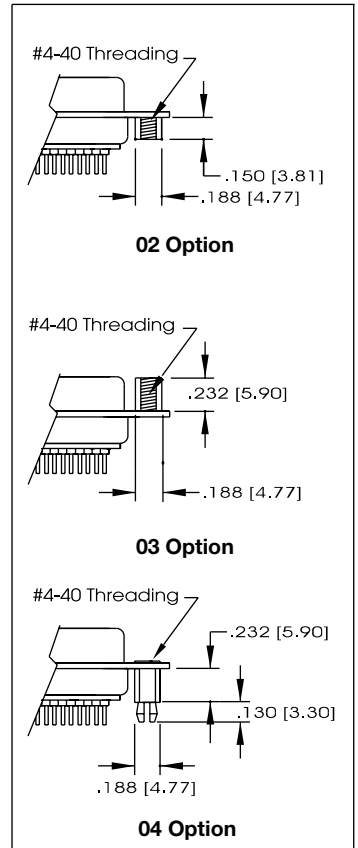
D-Subminiature Straight PCB Tail M21 Series



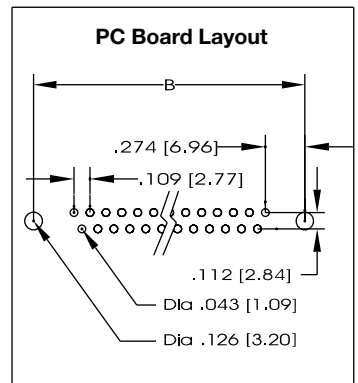
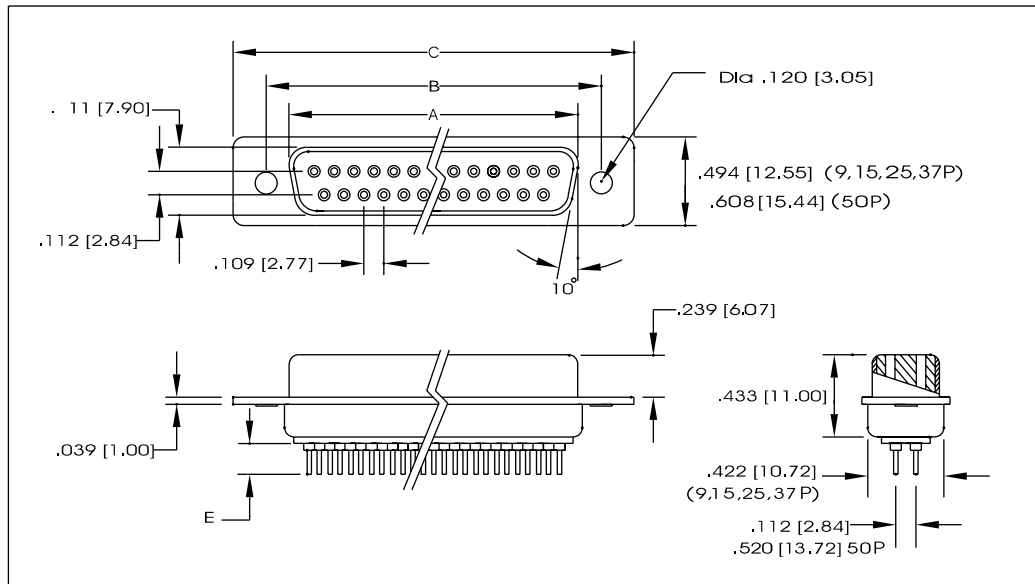
PLUG ASSEMBLY



MOUNTING OPTIONS



SOCKET ASSEMBLY



Unit: Inch / mm

Dimensional: Socket Assembly					Dimensional: Plug Assembly				
CONTACTS	A	B	C	D	CONTACTS	A	B	C	D
9	.643 (16.33)	.984 (24.99)	1.213 (30.81)	.759 (19.28)	9	.666 (16.92)	.984 (24.99)	1.213 (30.81)	.759 (19.28)
15	.971 (24.66)	1.312 (33.32)	1.541 (39.14)	1.083 (27.51)	15	.994 (25.25)	1.312 (33.32)	1.541 (39.14)	1.083 (27.51)
25	1.511 (38.38)	1.852 (47.04)	2.088 (53.04)	1.625 (41.30)	25	1.534 (38.96)	1.852 (47.04)	2.088 (53.04)	1.625 (41.30)
37	2.159 (54.84)	2.500 (63.50)	2.729 (69.32)	2.272 (57.71)	37	2.182 (55.42)	2.500 (63.50)	2.729 (69.32)	2.272 (57.71)
50	2.064 (52.43)	2.406 (61.11)	2.635 (66.93)	2.178 (55.32)	50	2.079 (52.81)	2.406 (61.11)	2.635 (66.93)	2.178 (55.32)



North and South America:
Methode Electronics, Inc. Connector Products
 1700 Hicks Road • Rolling Meadows, IL 60008 USA
 847-392-3500 • Toll Free: 800-323-6864 • Fax: 847-392-9404
 Email: info@methode.com • Web: www.methode.com/connector/index.html

Europe:
Methode Electronics Ireland, Ltd.
 Unit H, Crossagalla Business Park, Ballysimon Rd. • Limerick, Ireland
 +353 (0) 61 401222 • Fax: +353 (0) 61 401942
 Email: info@methode.ie • Web: ireland.methode.com/main.html

Far East:
Methode Electronics Far East, Pte. Ltd.
 1 Tuas Lane, Jurong Town • Singapore 638610
 65-68615444 • Fax: 65-68614777
 Email: sales@methode.com.sg • Web: www.methode.com/mefe/index.html