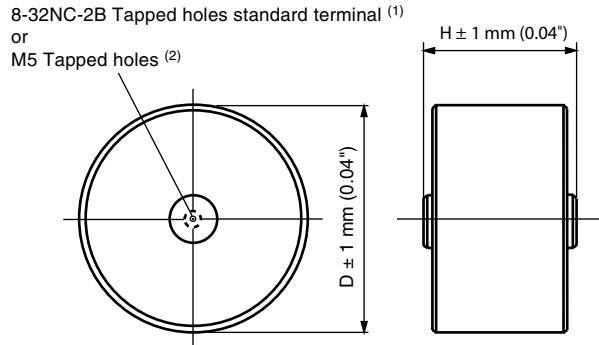


High Voltage Ceramic Disc DC Capacitors, Screw Terminal Mounting, 10 kV_{DC} to 40 kV_{DC}



Notes

- (1) Screw torque limit must be 12 inch pounds. Use #8-32, 3/16" long screw to prevent bottoming
- (2) To order M5 terminals add "M5" suffix to model number, use screw length of 5 mm to prevent bottoming
- Dimensions in millimeters (inches)

DIELECTRIC STRENGTH

150 % of rated voltage, charging current limited to 50 mA

DISSIPATION FACTOR $\tan \delta$

N4700: $\leq 2 \times 10^{-3}$ (1 kHz)

INSULATION RESISTANCE

Min. 200 000 M Ω or 1000 Ω F min. at 25 °C

CORONA LIMIT

< 5 pC at rated AC voltage

OPERATING TEMPERATURE RANGE

- 30 °C to + 85 °C

FEATURES

- Low dissipation factor of 0.2 % at 1 kHz
- N4700 (T3M) Class 1, strontium-based ceramic dielectric
- Negligible piezoelectric/electrostrictive effect
- Screw terminal mounting

APPLICATIONS

- High voltage power supplies
- CO₂ lasers
- X-ray equipment
- Welding equipment
- Industrial

CAPACITANCE RANGE

140 pF to 8000 pF

RATED VOLTAGE

- 10 000 V_{DC} (4000 V_{RMS})
- 15 000 V_{DC} (6000 V_{RMS})
- 20 000 V_{DC} (8000 V_{RMS})
- 30 000 V_{DC} (10 000 V_{RMS})
- 40 000 V_{DC} (13 000 V_{RMS})

CERAMIC DIELECTRIC

N4700 (Class 1)

MATERIAL

Capacitor elements made from Class 1 ceramic in a molded epoxy case. Screw terminals: brass, silver plated

MARKING

Type designator, capacitance value, rated DC voltage, ceramic material code, production date code, Cera-Mite logo

POWER DISSIPATION

Limit to 25 °C rise above ambient, measured on case

CAPACITANCE TOLERANCES

± 20 %

ORDERING INFORMATION

715C15KTD33	15 kV _{DC}	3300 pF	± 20 %	N4700
MODEL	RATED VOLTAGE	CAPACITANCE VALUE	TOLERANCE	CERAMIC

MODEL	CERAMIC	CAPACITANCE VALUES [pF]	RATED VOLTAGE [V _{DC}]	RATED VOLTAGE [V _{RMS}]	D ± 1 mm (0.04")	H with #8-32 terminals ± 1 mm (0.04")	H with M5 metric terminals ± 1 mm (0.04")
715C10KT...							
715C10KTT56	N4700	560	10K	4000	21 (0.83)	18 (0.70)	N/a
715C10KTD10	N4700	1000	10K	4000	25 (1.00)	18 (0.70)	N/a
715C10KTD12	N4700	1200	10K	4000	25 (1.00)	18 (0.70)	N/a
715C10KTD22	N4700	2200	10K	4000	32 (1.25)	18 (0.70)	19 (0.76)
715C10KTD28	N4700	2800	10K	4000	38 (1.50)	18 (0.70)	19 (0.76)
715C10KTD50	N4700	5000	10K	4000	48 (1.89)	18 (0.70)	19 (0.76)
715C10KTD80	N4700	8000	10K	4000	60 (2.36)	18 (0.70)	19 (0.76)
715C15KT...							
715C15KTT37	N4700	370	15K	6000	21 (0.83)	20 (0.79)	N/a
715C15KTD10	N4700	1000	15K	6000	32 (1.25)	20 (0.79)	N/a
715C15KTD19	N4700	1900	15K	6000	38 (1.50)	20 (0.79)	22 (0.85)
715C15KTD33	N4700	3300	15K	6000	48 (1.89)	20 (0.79)	22 (0.85)
715C15KTD53	N4700	5300	15K	6000	60 (2.36)	20 (0.79)	22 (0.85)
715C20KT...							
715C20KTT28	N4700	280	20K	8000	21 (0.83)	23 (0.89)	N/a
715C20KTT56	N4700	560	20K	8000	25 (1.00)	23 (0.89)	N/a
715C20KTD10	N4700	1000	20K	8000	32 (1.25)	23 (0.89)	24 (0.95)
715C20KTD14	N4700	1400	20K	8000	38 (1.50)	23 (0.89)	24 (0.95)
715C20KTD25	N4700	2500	20K	8000	48 (1.89)	23 (0.89)	24 (0.95)
715C20KTD40	N4700	4000	20K	8000	60 (2.36)	23 (0.89)	24 (0.95)
715C30KT...							
715C30KTT19	N4700	190	30K	10K	21 (0.83)	28 (1.09)	N/a
715C30KTT40	N4700	400	30K	10K	32 (1.25)	28 (1.09)	N/a
715C30KTT59	N4700	590	30K	10K	32 (1.25)	28 (1.09)	29 (1.15)
715C30KTT94	N4700	940	30K	10K	38 (1.50)	28 (1.09)	29 (1.15)
715C30KTD17	N4700	1700	30K	10K	48 (1.89)	28 (1.09)	29 (1.15)
715C30KTD27	N4700	2700	30K	10K	60 (2.36)	28 (1.09)	29 (1.15)
715C40KT...							
715C40KTT14	N4700	140	40K	13K	21 (0.83)	31 (1.22)	N/a
715C40KTT44	N4700	440	40K	13K	32 (1.25)	31 (1.22)	32 (1.28)
715C40KTT70	N4700	700	40K	13K	38 (1.50)	31 (1.22)	32 (1.28)
715C40KTD10	N4700	1000	40K	13K	44 (1.75)	31 (1.22)	32 (1.28)
715C40KTD13	N4700	1300	40K	13K	48 (1.89)	31 (1.22)	32 (1.28)
715C40KTD20	N4700	2000	40K	13K	60 (2.36)	31 (1.22)	32 (1.28)



Disclaimer

ALL PRODUCT, PRODUCT SPECIFICATIONS AND DATA ARE SUBJECT TO CHANGE WITHOUT NOTICE TO IMPROVE RELIABILITY, FUNCTION OR DESIGN OR OTHERWISE.

Vishay Intertechnology, Inc., its affiliates, agents, and employees, and all persons acting on its or their behalf (collectively, "Vishay"), disclaim any and all liability for any errors, inaccuracies or incompleteness contained in any datasheet or in any other disclosure relating to any product.

Vishay makes no warranty, representation or guarantee regarding the suitability of the products for any particular purpose or the continuing production of any product. To the maximum extent permitted by applicable law, Vishay disclaims (i) any and all liability arising out of the application or use of any product, (ii) any and all liability, including without limitation special, consequential or incidental damages, and (iii) any and all implied warranties, including warranties of fitness for particular purpose, non-infringement and merchantability.

Statements regarding the suitability of products for certain types of applications are based on Vishay's knowledge of typical requirements that are often placed on Vishay products in generic applications. Such statements are not binding statements about the suitability of products for a particular application. It is the customer's responsibility to validate that a particular product with the properties described in the product specification is suitable for use in a particular application. Parameters provided in datasheets and/or specifications may vary in different applications and performance may vary over time. All operating parameters, including typical parameters, must be validated for each customer application by the customer's technical experts. Product specifications do not expand or otherwise modify Vishay's terms and conditions of purchase, including but not limited to the warranty expressed therein.

Except as expressly indicated in writing, Vishay products are not designed for use in medical, life-saving, or life-sustaining applications or for any other application in which the failure of the Vishay product could result in personal injury or death. Customers using or selling Vishay products not expressly indicated for use in such applications do so at their own risk and agree to fully indemnify and hold Vishay and its distributors harmless from and against any and all claims, liabilities, expenses and damages arising or resulting in connection with such use or sale, including attorneys fees, even if such claim alleges that Vishay or its distributor was negligent regarding the design or manufacture of the part. Please contact authorized Vishay personnel to obtain written terms and conditions regarding products designed for such applications.

No license, express or implied, by estoppel or otherwise, to any intellectual property rights is granted by this document or by any conduct of Vishay. Product names and markings noted herein may be trademarks of their respective owners.