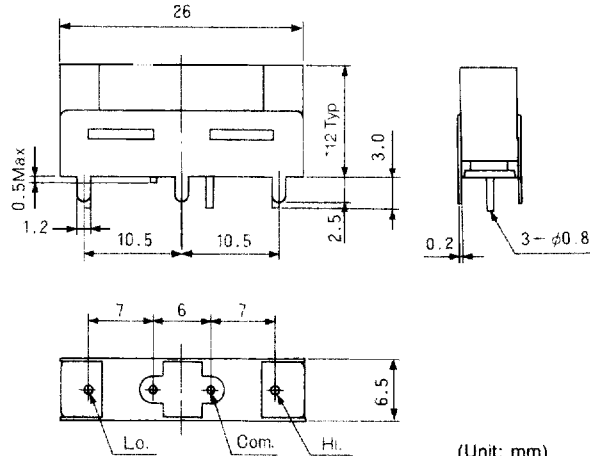


TYPE 6DPD Antenna Duplexers

Frequency Range: 800-1500MHz

Temperature Range: -25°C to +85°C



* Depends on center frequency

STANDARD DEVICES SELECTION GUIDE

The Part Numbers shown in the table below are standard devices which are readily available. TOKO will design and manufacture modified and custom devices with specific characteristics to meet your requirements. If you do not find the device for your application in this catalog, please contact our sales office or representative office.

Specifications: 6DPD

	Tx (Transmit Side)	Rx (Receive Side)
Center Frequency	914.5MHz	959.5MHz
Passband Width	1MHz	1MHz
Passband Insertion Loss	2.2dB max.	2.2dB max.
Passband Ripple	0.5dB max.	0.5dB max.
Passband V.S.W.R.	2.0 MAX.	2.0 MAX.
Attenuation Fo-45MHz Fo+45MHz	25dB Min.	25dB min.
Maximum Input Power	1W	
Input/Output Impedance	50Ω	50Ω

Characteristics

