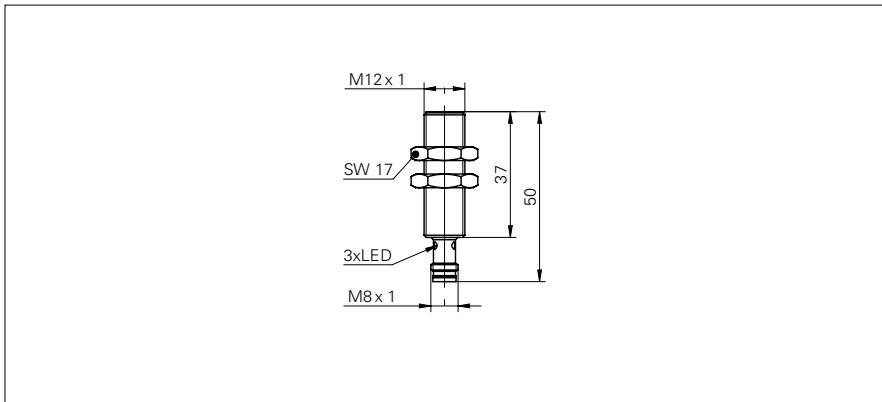


Inductive proximity switch

IFRM 12 (connector M8)

sample drawing



general data

mounting type	shielded
nominal sensing distance S_n	4 mm
hysteresis	3 ... 25 % of S_r
output indicator	3 port LED red

electrical data

switching frequency	< 2 kHz
voltage supply range +Vs	12 ... 30 VDC
current consumption max.	18 mA
voltage drop Vd	< 3 VDC
output current	< 200 mA
short circuit protection	yes
reverse polarity protection	yes

mechanical data

type	cylindrical threaded
material (sensing face)	PBT
housing material	brass nickel plated
dimension	12 mm
housing length	50 mm
connection types	connector M8

ambient conditions

operating temperature	-25 ... +75 °C
protection class	IP 67

order reference

IFRM 12N1701/S35L	NPN make function (NO)
IFRM 12N3701/S35L	NPN break function (NC)
IFRM 12P1701/S35L	PNP make function (NO)
IFRM 12P3701/S35L	PNP break function (NC)

output circuit

sample picture

