

CM01 series

CM01-E-01

■ APPLICATION

Various kinds of sensors(Optical,Photoelectric, Proximity),found on conveyors, automated welding machines, pick-and-place robot and material handling equipment.

CM01 series is small sized connectors with resistance to moisture, oil and dust.



■ FEATURES

- Moisture proof type design : Class IP67
- UL94V-0 insulator flammability rating
- Small size,compact design : 14mm dia. max.
- Over mold style cable assembly : plug to plug,plug to jack and single ended
- Solder cup and PCB type for receptacle
- Conforming to NECA 4202(Nippon Electric Control Equipment Industry Association)

■ SPECIFICATION

- Voltage rating 125V DC
- Current rating3A / contact
- Contact resistance 50mΩ max.
- Insulation resistance 100MΩ min.
- Dielectric withstanding voltage 1500V AC、1minute
- No. of contact 4
- Applicable cable AWG#20
- Cable assembly Insulator : heat and oil proof material
Cable outer diameter φ 6.1mm
Standard wiring 1-Gray,2-White,3-Blue,4-Black
- Operating Temperature -25℃ ~ +70℃

■ MATERIAL/FINISH

- Insulator PBT resin (UL94V-0) / Gray
- Contact Copper alloy / Gold plating
- Coupling ring Zinc / Nickel plating
- Over molding resin PVC (UL94V-0) / Gray
- Shell Copper alloy/Nickel plating

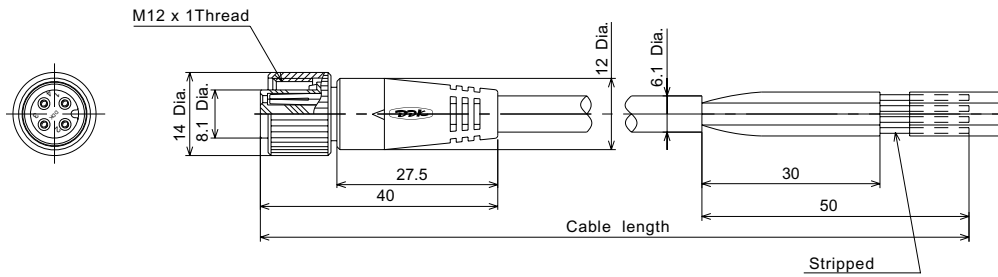


SALES OFFICE

<http://www.ddkconnectors.com/>

- | | | |
|---------------------------------------------|----------------------|--------------------|
| • DDK LTD. (JAPAN) | : Tel 81-285-84-7861 | Fax 81-285-82-9036 |
| • DDK (THAILAND) LTD | : Tel 66-2-529-1428 | Fax 66-2-529-1427 |
| • FUJIKURA DDK ELECTRONICS (EUROPE) LTD(UK) | : Tel 44-1959-561224 | Fax 44-1959-561034 |
| • FAI DDK CONN. DIV. (USA) | : Tel 1-408-980-8344 | Fax 1-408-980-9750 |
| • FALDDK CONN. DIV. (S'PORE) | : Tel 65-271-1151 | Fax 65-271-2345 |
| • FHLDDK CONN. DIV. (HK) | : Tel 852-2369-7028 | Fax 852-2369-7392 |

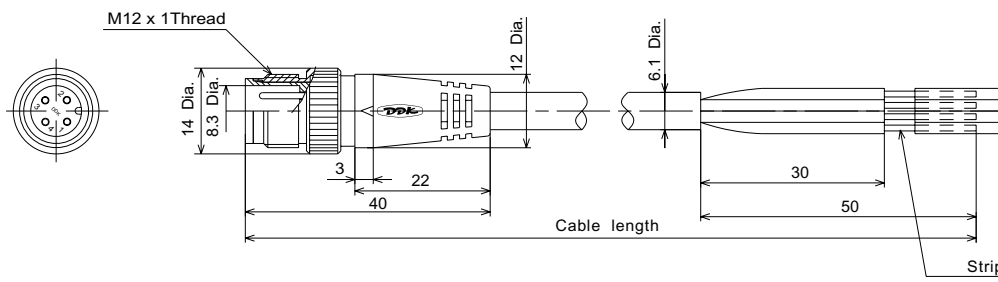
Single ended—Straight plug



Unit : mm

Part Number	Cable length
CM01-8DP4S 550A (01)	550
CM01-8DP4S1050A (01)	1050
CM01-8DP4S2200A (01)	2200
CM01-8DP4S3050A (01)	3050
CM01-8DP4S5050A (01)	5050
CM01-8DP4S010KA (01)	10000

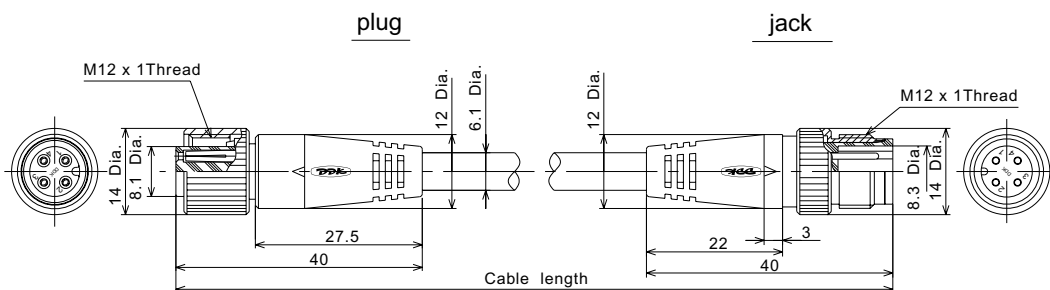
Single ended—Straight jack



Unit : mm

Part Number	Cable length
CM01-8DJ4P 550A (01)	550
CM01-8DJ4P1050A (01)	1050
CM01-8DJ4P2200A (01)	2200
CM01-8DJ4P3050A (01)	3050
CM01-8DJ4P5050A (01)	5050

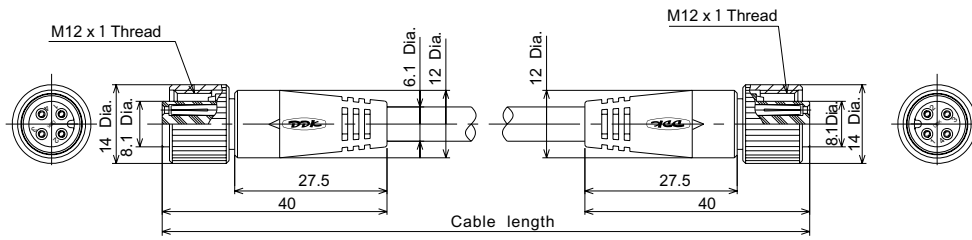
Double ended—Straight plug to jack



Unit : mm

Part Number	Cable length
CM01A-8DP4S1000A (01)	1000
CM01A-8DP4S2000A (01)	2000
CM01A-8DP4S3000A (01)	3000
CM01A-8DP4S5000A (01)	5000

Double ended—Straight plug to plug



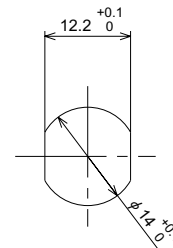
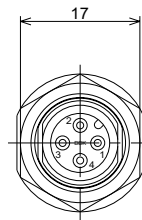
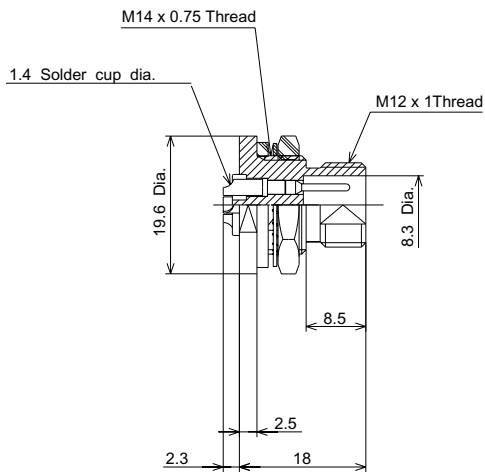
Unit : mm

Part Number	Cable length
CM01B-8DP4S1000A (01)	1000
CM01B-8DP4S2000A (01)	2000
CM01B-8DP4S3000A (01)	3000
CM01B-8DP4S5000A (01)	5000

Receptacle : Solder cup type

P/N : CM01—8DRA—4P (01)

Unit : mm

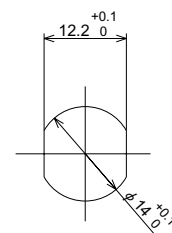
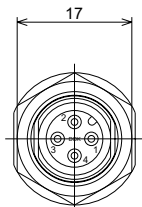
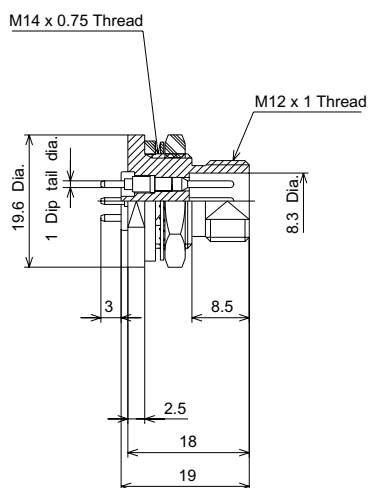


Panel cut-out
(Thickness : 2 MAX.)

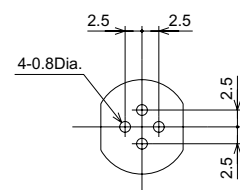
Receptacle : Straight PCB type

P/N : CM01—8DRA—4PD (01)

Unit : mm



Panel cut-out
(Thickness : 2MAX)

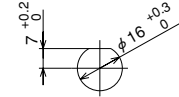
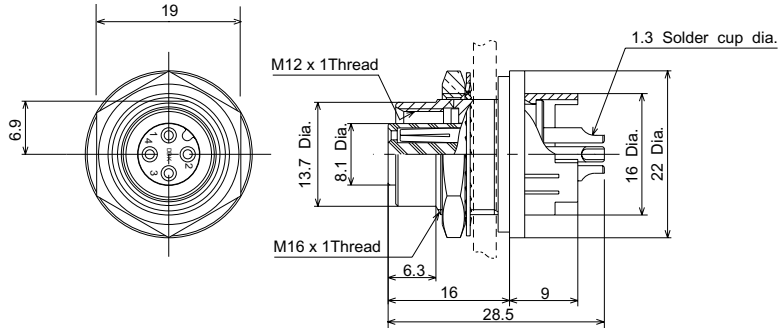


PCB Mounting hole

■ Plug receptacle : Solder cup type

P/N : CM01-8DPRA-4S (01)

Unit : mm

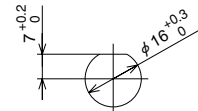
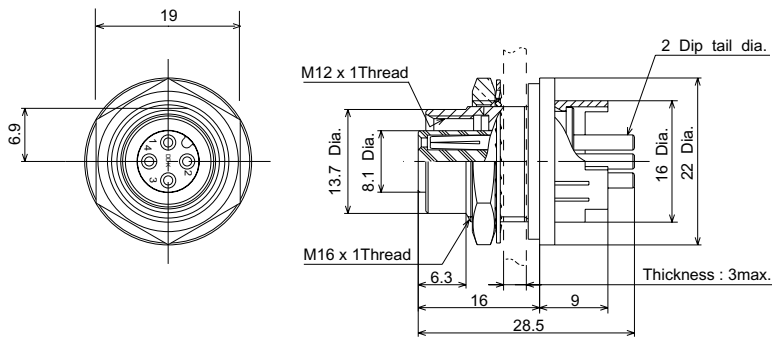


Panel cut-out
(Thickness: 3max.)

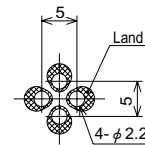
■ Plug receptacle : Straight PCB type

P/N : CM01-8DPRA-4SD (01)

Unit : mm



Panel cut-out
(Thickness: 3max.)



PCB Mounting hole

■ Plug cap (Metal)

P/N : CM01-P-CAP

Unit : mm

■ Receptacle cap (Metal)

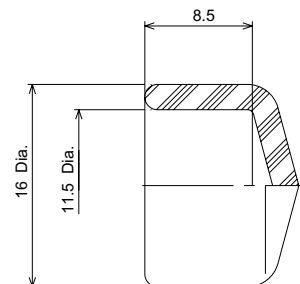
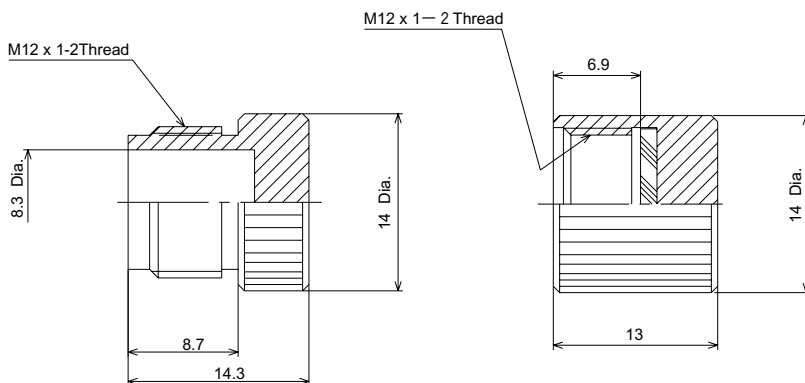
P/N : CM01-R-CAP

Unit : mm

■ Receptacle cap (PVC)

P/N : CM01-CAP

Unit : mm



Connection Matrix

