

# Absolute Singleturn Shaft Encoder

## BPSV Flexible – ProCoder

### Profibus-DP, CANopen, DeviceNet

#### features

- singleturn encoder 13 Bit
- modular buscover
- simple mounting via servo flange
- bus parameter selectable
- scaling and preset value programmable



BPSV58S



BPSV58K

#### general data

voltage supply	10 - 30 VDC with reverse polarity protection
max. supply current no load	100 mA (24 VDC)
signal code	binary
max. resolution	13 Bit (1 Messschritt = 2' 38")
code frequency	max. 800 kHz
repeatability	±0,05°
preset	value programmable within resolution range
address	selectable via dipswitches
baud rate	selectable via dipswitches
direction	programmable, default is increasing values with clockwise shaft rotation while viewing flange

#### mechanical data

max. revolutions	mech. 10,000 rpm elec. 6,000 rpm
rotor inertia	
torque	≤ 0.015 Nm
max. Wellenbelastung	axial: < 20 N      radial: < 40 N
product life	depending on ambient conditions (typ. 10 <sup>9</sup> revolutions)
max. protection class	IP 65
material	housing: steel buscover/flange: aluminum
weight	600 g

#### ambient conditions

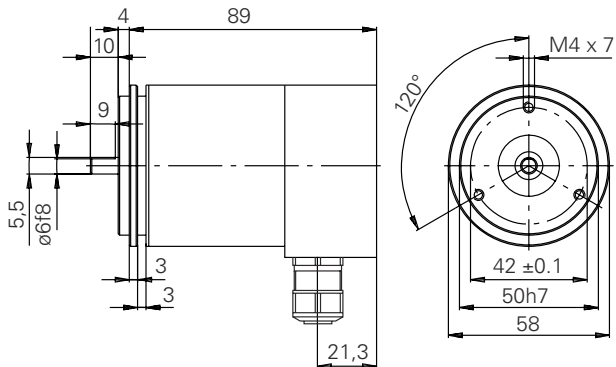
temperature range	-20 to +85 °C
vibration	DIN EN 60068-2-6 (≤ 200 m/s <sup>2</sup> / 16 - 2000 Hz)
shock	DIN EN 60068-2-27 (≤ 2000 m/s <sup>2</sup> / 6 ms)
noise immunity	DIN EN 61000-6-2
emitted interference	DIN EN 61000-6-4

## Profibus-DP, CANopen, DeviceNet

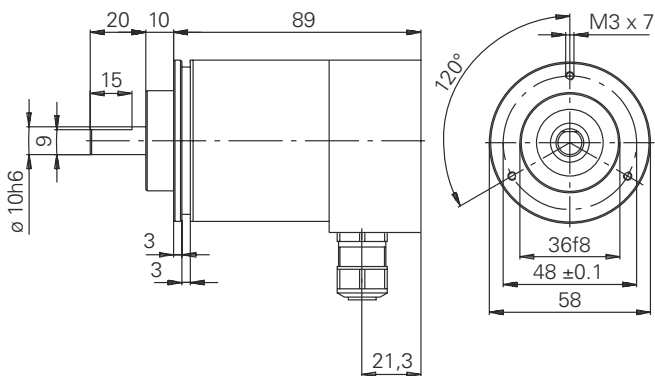


### diagram

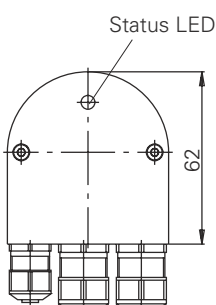
#### BPSV58S



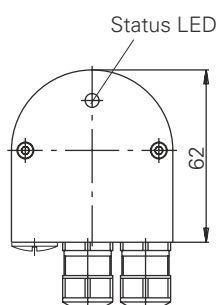
#### BPSV58K



#### Profibus-DP CANopen



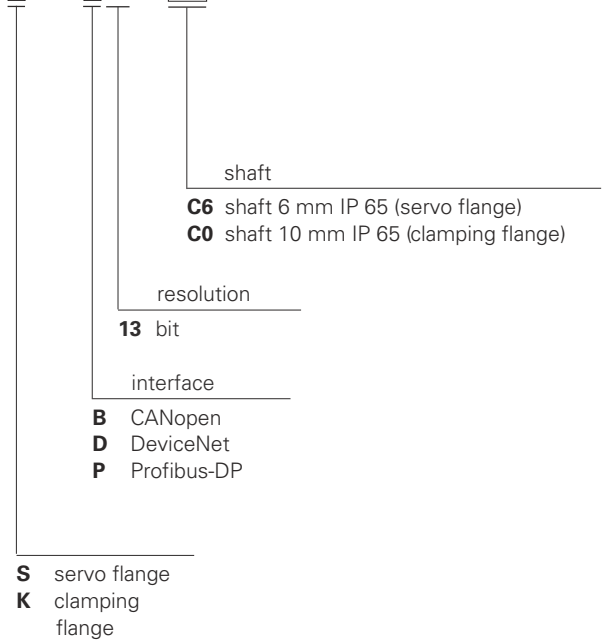
#### DeviceNet



### order designation

BPSV 58  1P24 C13/00  G Base encoder  
(no buscover)

BPSV 58  1P24  13/00  D Complete encoder



### accessories

Couplings	
Bore 6 mm / 10 mm	Art.Nr. 141132
Bore 6 mm / 6 mm	Art.Nr. 141131
Bore 10 mm / 10 mm	Art.Nr. 141133

CD with GSD/EDS-Data and handbook included	Art.Nr. 141134
--	----------------

buscover	
Profibus-DP	Art.Nr. 147997
CANopen	Art.Nr. 147999
DeviceNet	Art.Nr. 147998

#### BPMV58S servo flange

Mounting bracket	Art.Nr. 117667
Screws and clamps	Art.Nr. 117668

#### BPMV58K clamping flange

Mounting bell	Art.Nr. 117698
---------------	----------------