

PRODUCT NUMBER

77311-YXX-XXLF

WHEN REQUIRED, ADD SUFFIX LETTER "LF"  
INDICATES THE PRODUCT IS RoHS  
COMPATIBLE, SEE NOTE 7

TOTAL NB OF POSITIONS 01 TO 36

OPTION LETTER  
SEE NOTE 8

PIN STYLE SEE SHEET 2

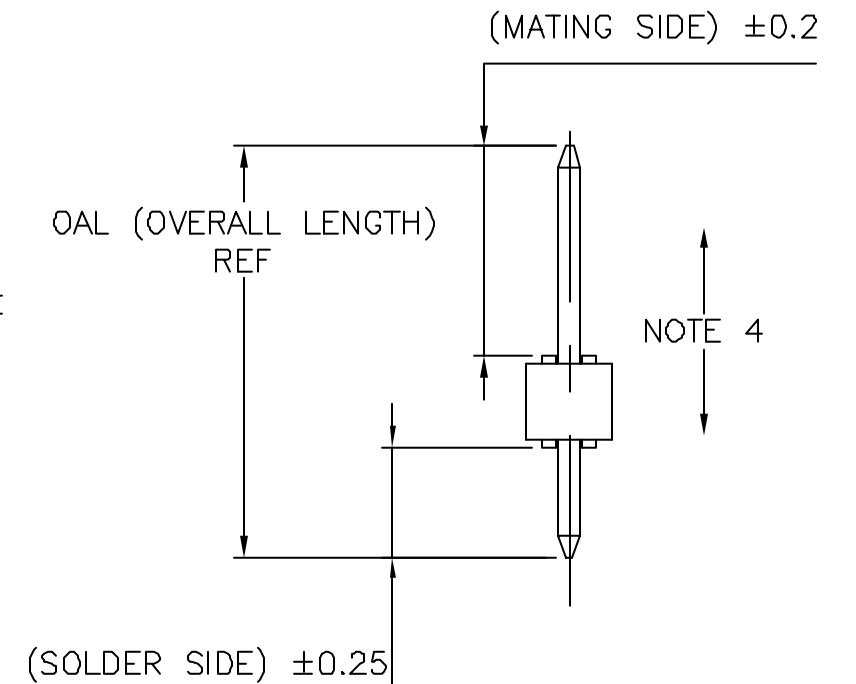
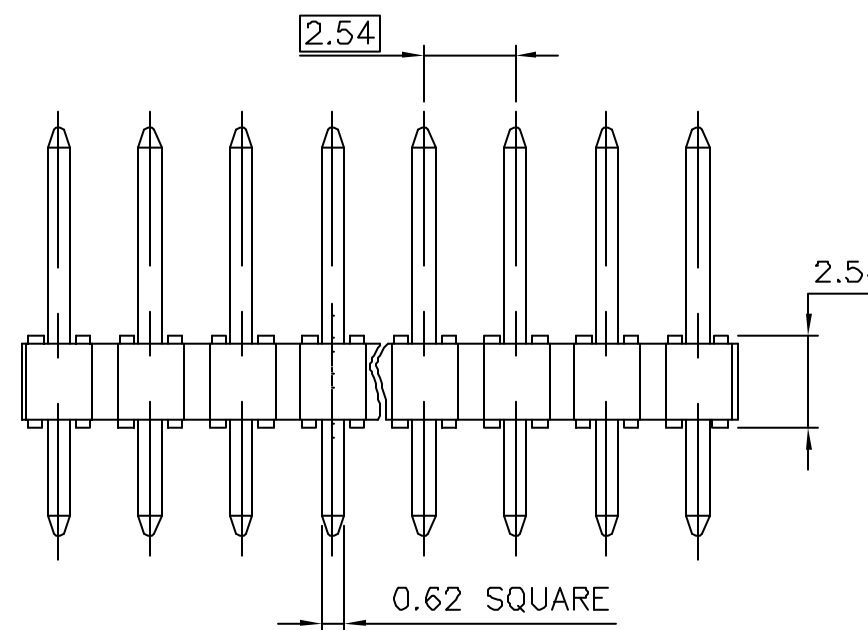
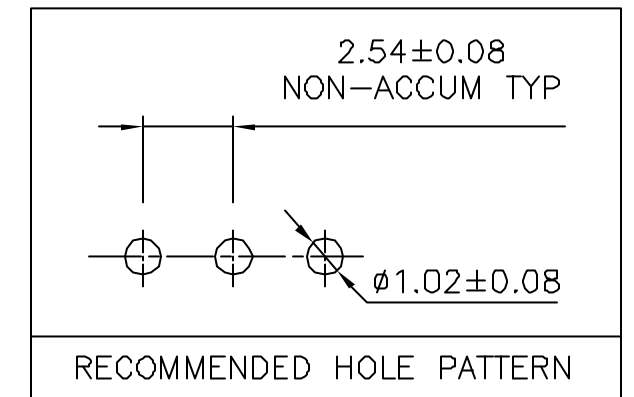
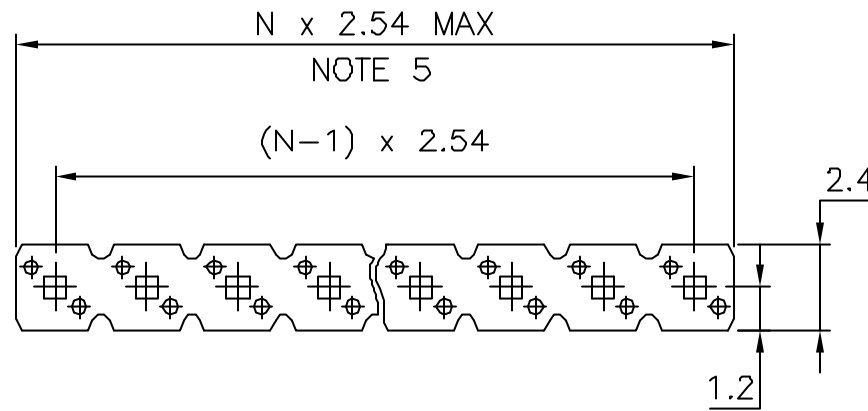
PLATING SEE SHEET 2

NOTES:

1. HOUSING MAT'L : HIGH TEMPERATURE THERMOPLASTIC. UL94V-0 COLOR: BLACK
2. PIN MATERIAL : PHOSPHOR BRONZE
3. PRODUCT PACKAGED IN POLY BAGS.
4. 9N MIN RETENTION IN EITHER DIRECTION
5. TO DETERMINE DIMENSIONS :  
N = NUMBER OF POSITIONS PER ROW  
EXAMPLE : 8 POS  $N \times 2.54 = 20.32\text{mm}$
6. UNDERPLATING :  $1.27\mu\text{m}$  Ni MIN
7. RoHS COMPATIBLE PRODUCT SPECIFICATIONS
  - a - PLATING:
    - "LF" MEANS THE PRODUCT IS LEAD-FREE,  $2\mu\text{m}$  MINIMUM MATTE TIN OVER  $1.27\mu\text{m}$  MINIMUM NICKEL UNDERPLATE.
  - b - MANUFACTURING PROCESS COMPATIBILITY
    - THE HOUSING WILL WITHSTAND EXPOSURE TO  $260^{\circ}\text{C} \pm 5^{\circ}\text{C}$  SOLDER BATH TEMPERATURE FOR 5 SECONDS IN A WAVE SOLDER APPLICATION WITH A 1.6mm MIN THICK CIRCUIT BOARD.
  - c - LABELING:
    - MEETS PACKAGING SPECS AS PER GS-14-920
  - d - LEGAL STATEMENT: SEE GS-22-008

8. OPTION LETTER :

R = RETENTION FEATURES, SEE SHEET 2  
K = TAPE & REEL PACKAGING, WITHOUT PICK UP CAP  
ONLY FOR P/N 77311-462K04(LF) AND 77311-462K05(LF)



mat'l. code				surface		tolerance		projection		product family	
SEE NOTES				ISO 1302		ISO 406 ISO 1101		mm		BERGSTIK	
ltr	ecn no	dr	date	tolerances unless otherwise specified						title	
AY	F06-0145	LMU	06.03.08	angles		x ±0.3			UNSHR.HEADER STR SR TMT		
BA	F06-0196	LMU	06.06.20	linear		.xx ±0.15					
						.xxx ±0.05	scale 5:1				
AU	F05-0167	LMU	05.04.05	dr	D.LE	01.01.24			dwg no		
AV	F05-0226	LMU	05.08.23	enr	JM.C	01.01.24			sheet 1 of 2		
AW	F05-0400	LMU	05.11.23	chr	JM.C	01.01.24			size		
AX	F05-0404	LMU	05.12.06	appd	JF.N	01.01.24			A3		
sheet	revision	BA	AS							type	
index	sheet	1	2							CUSTOMER Drawing	

### CORE RANGE

PLATING	PIN STYLE	MATING	SOLDER	OAL
1	01	5.84	2.41	10.8
1	18	5.84	3.05	11.43

#### PLATING

1 = 0.76µm GOLD ON CONTACT AREA  
3.81µm TIN/LEAD ON TAIL

- WHEN "LF" IS REQUIRED, 2µm MATTE TIN OVER 1.27µm MIN NICKEL IS PROVIDED INSTEAD OF TIN-LEAD

### CATALOGUE RANGE

PLATING	PIN STYLE	MATING	SOLDER	OAL
4/8	01	5.84	2.41	10.8
1/4/8	02	5.84	3.42	11.8
4/8	18	5.84	3.05	11.43
1/4/8	22	7.75	3.05	13.35
1/4/8	24	6.75	2.9	12.2
1/4/8	27	6.6	2.65	11.8

#### PLATING

1 = 0.76µm GOLD ON CONTACT AREA  
3.81µm TIN-LEAD ON TAIL

4 = 3.81µm TIN-LEAD ON CONTACT AREA AND ON TAIL

8 = 0.38µm GOLD ON CONTACT AREA  
3.81µm TIN-LEAD ON TAIL

- WHEN "LF" IS REQUIRED, 2µm MATTE TIN OVER 1.27µm MIN NICKEL IS PROVIDED INSTEAD OF TIN-LEAD

### APPLICATION SPECIFIC

PLATING	PIN STYLE	MATING	SOLDER	OAL
1/4/8	05	5.72	10.14	18.4
1/4/8	15	8.51	2.55	13.6
1/4/8	19	12.83	3.03	18.4
1/4/8	20	15.37	3.04	20.95
1/4/8	26	15.57	2.84	20.95
1/4/8	29	17.5	3.46	23.5
1/4/8	32	10.3	3.05	15.9
1/4/8	38	5.84	3.82	12.2
1/4/8	46	8.08	2.98	13.6
1/4/8	62	13.5	3.05	19.09
1/4/8	70	6.54	3.50	12.57
1/4/8	83	20.46	3.00	26.00
1/4/8	85	5.72	8.51	16.76

#### PLATING

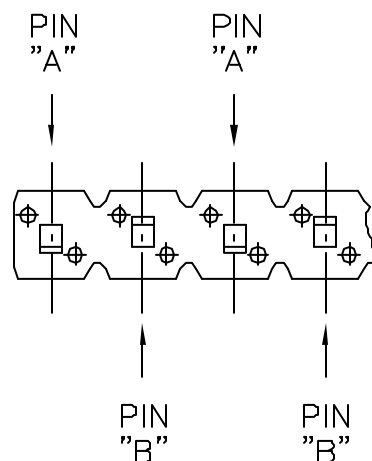
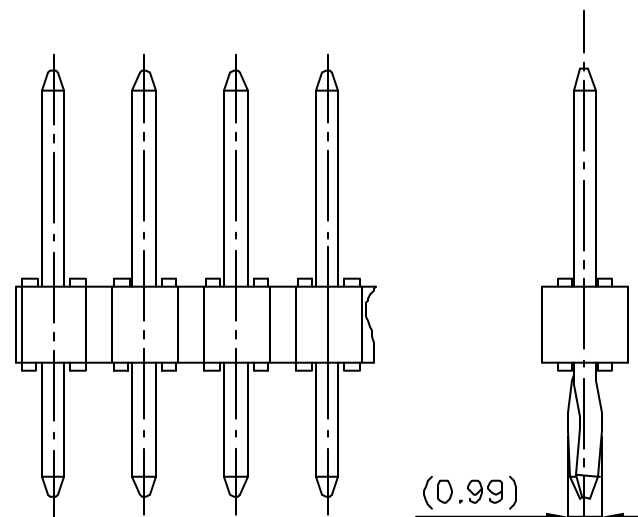
1 = 0.76µm GOLD ON CONTACT AREA  
3.81µm TIN-LEAD ON TAIL

4 = 3.81µm TIN-LEAD ON CONTACT AREA AND ON TAIL

8 = 0.38µm GOLD ON CONTACT AREA  
3.81µm TIN-LEAD ON TAIL

- WHEN "LF" IS REQUIRED, 2µm MATTE TIN OVER 1.27µm MIN NICKEL IS PROVIDED INSTEAD OF TIN-LEAD

### RETENTION FEATURES



#### NOTES FOR RETENTION FEATURES :

- PART NUMBER 77311-XXXXXX(LF)
- PINS "A" AND "B" USED FOR RETENTION.
- DIRECTION OF RETENTION SHOWN BY ARROWS.
- ON 4 TO 36 POSITIONS HEADER; RETENTION IS IN MID POSITION OF HEADER (4 CENTRAL PINS)
- FOR RETENTION OPTION , SOLDER TAIL LENGTH TO BE 2.9 MIN UP TO 3.5 MAX.

mat'l. code				surface ISO 1302 ✓		tolerance ISO 406 ISO 1101		projection		product family BERGSTIK	
ltr ecn no dr date				tolerances unless otherwise specified		mm		title		UNSHR.HEADER STR SR TMT	
AM F05-0167 LMU 05.04.05				angles		linear		scale N/A		dwg no sheet 2 of - size	
AN F05-0226 LMU 05.08.23								FCJ		77311 A3	
AP F05-0400 LMU 05.11.23										type CUSTOMER Drawing	
AR F05-0404 LMU 05.12.06				dr		D.LE 01.01.24					
AS F06-0196 LMU 06.06.20				enr		JM.C 01.01.24					
				chr		JM.C 01.01.24					
AL F04-0362 LMU 04.11.27				appd		JF.N 01.01.24					
sheet index		revision sheet									



Copyright FCI