

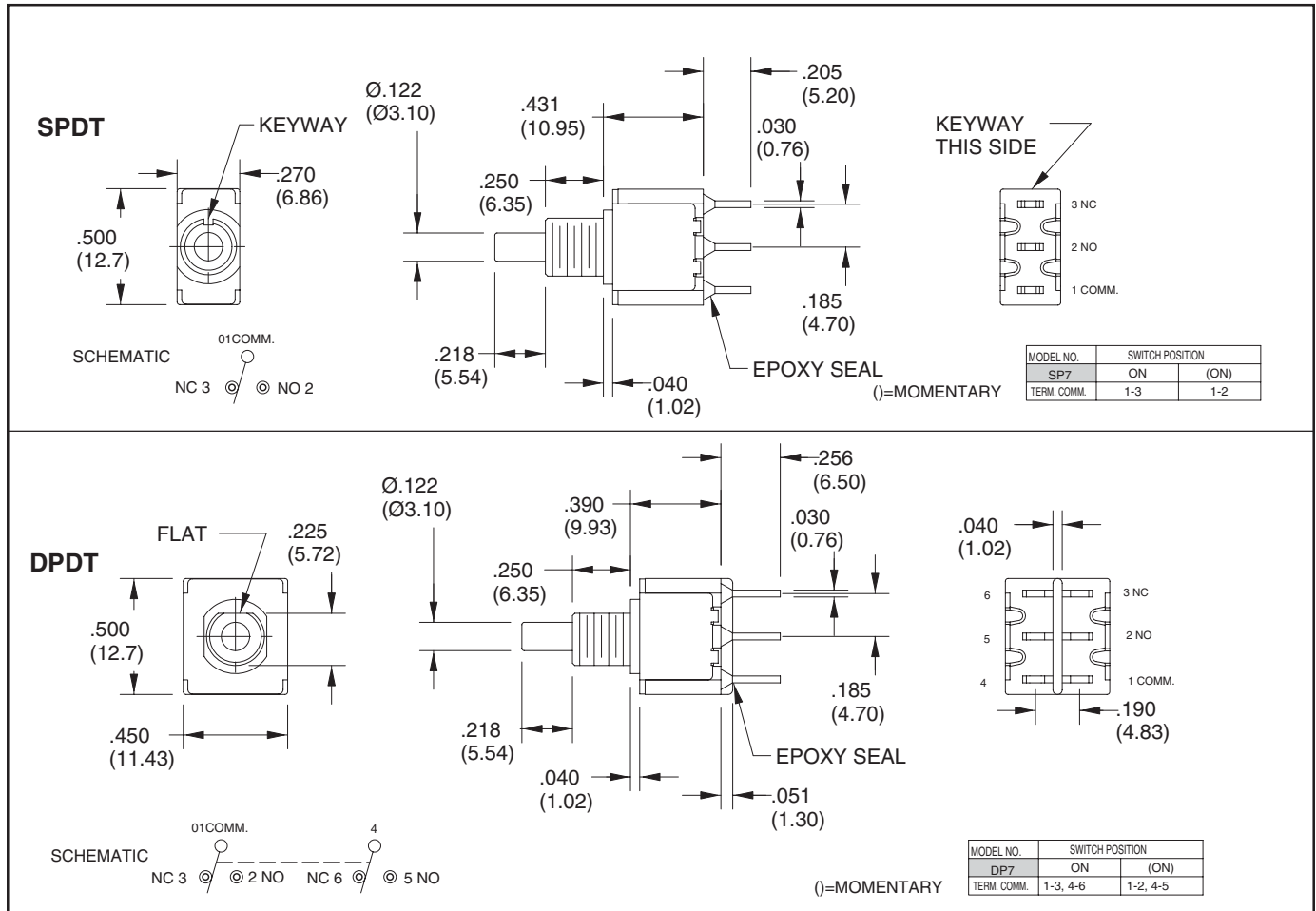
## SERIES 38C Miniature Pushbutton Switches

### FEATURES

- SPDT and DPDT Circuitry
- Choice of Bushings, and Terminations
- Caps and Frames Available
- UL Recognized



### DIMENSIONS IN INCHES (AND MILLIMETERS)

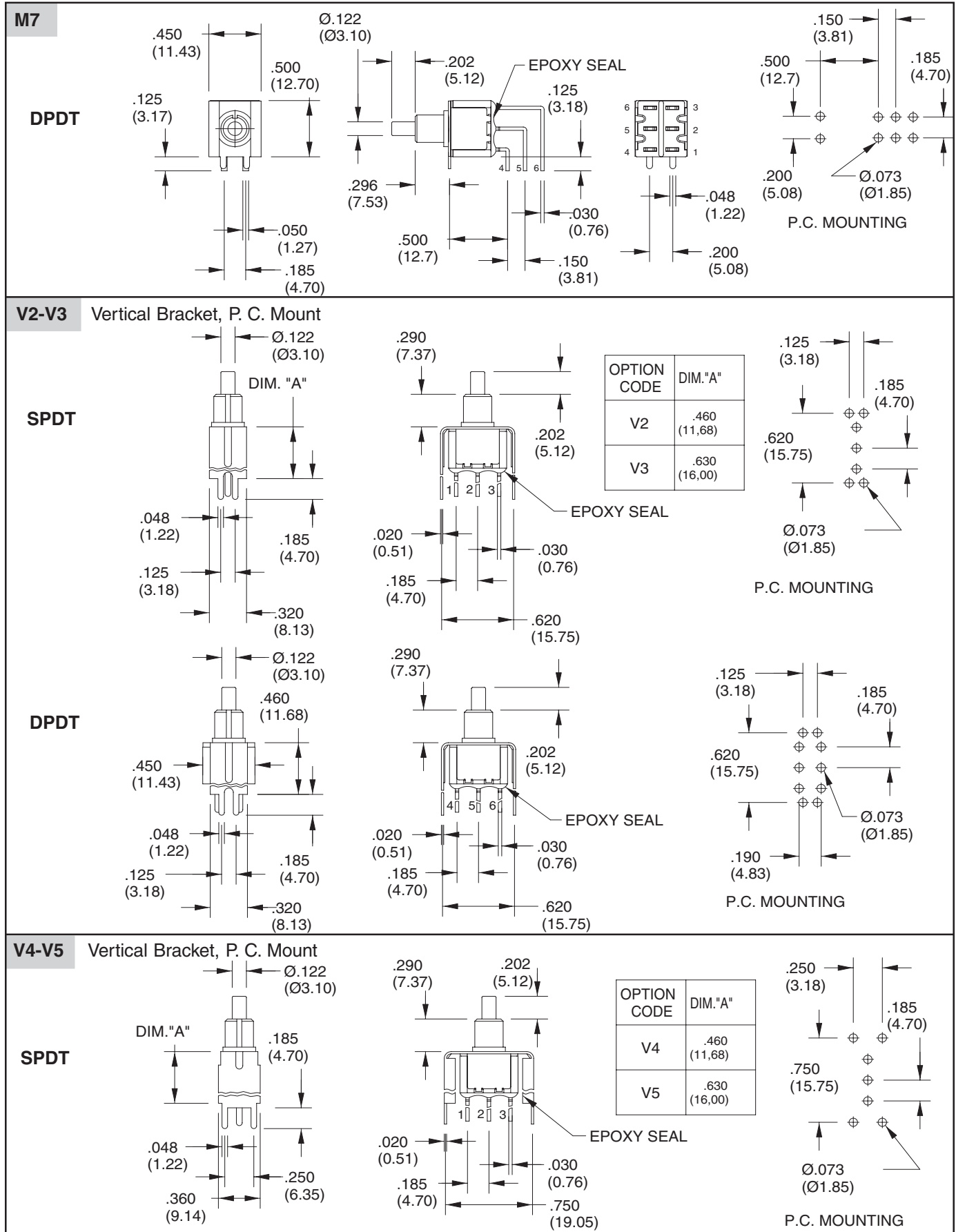


TERMINATION OPTIONS IN INCHES (AND MILLIMETERS)

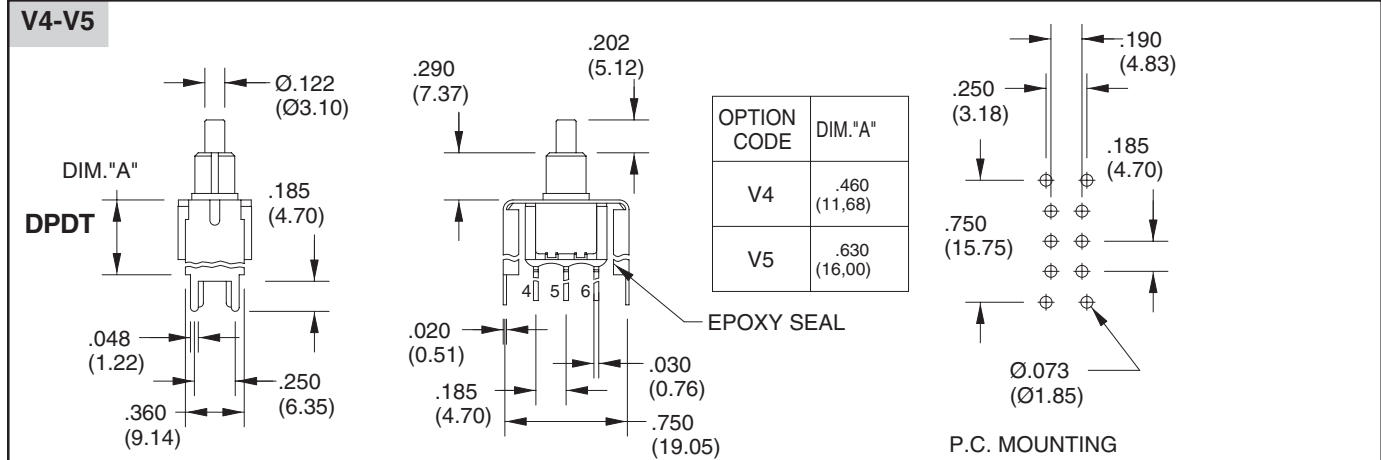
<p><b>M1 Solder Lug (Std)</b></p> <p>EPOXY SEAL</p> <p>THK. .030 (0.76)</p>	<p><b>M2 P. C. Mount</b></p> <p>EPOXY SEAL</p> <p>THK. .030 (0.76)</p>	<p><b>M3 P. C. Mount, Quick Connect</b></p> <p>EPOXY SEAL</p> <p>.030 (0.76) THK.</p>	<p><b>WX Wire Wrap</b></p> <p>EPOXY SEAL</p> <table border="1"> <thead> <tr> <th>OPTION CODE</th> <th>DIM. "A"</th> </tr> </thead> <tbody> <tr> <td>W1</td> <td>.750(19.05)</td> </tr> <tr> <td>W2</td> <td>.964(24.48)</td> </tr> <tr> <td>W3</td> <td>.425(10.80)</td> </tr> <tr> <td>W4</td> <td>1.062(26.97)</td> </tr> </tbody> </table>	OPTION CODE	DIM. "A"	W1	.750(19.05)	W2	.964(24.48)	W3	.425(10.80)	W4	1.062(26.97)
OPTION CODE	DIM. "A"												
W1	.750(19.05)												
W2	.964(24.48)												
W3	.425(10.80)												
W4	1.062(26.97)												
<p><b>M6 Right Angle P. C. Mount, Horizontal</b></p> <p><b>SPDT</b></p> <p><b>DPDT</b></p> <p>P.C. MOUNTING</p> <p>P.C. MOUNTING</p>													
<p><b>M7 Right Angle P.C. Mount, Vertical</b></p> <p><b>SPDT</b></p> <p>P.C. MOUNTING</p>													

Pushbutton Switches

## TERMINATION OPTIONS (CONT.) IN INCHES (AND MILLIMETERS)

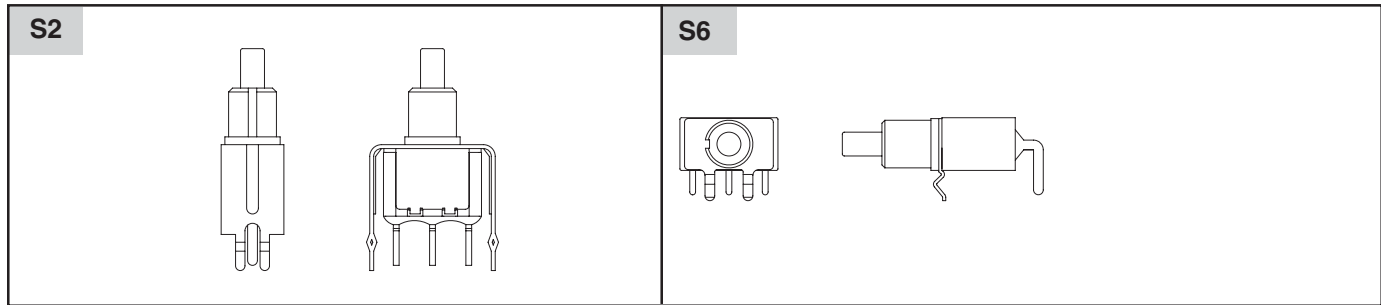


**TERMINATION OPTIONS (CONT.)** IN INCHES (AND MILLIMETERS)

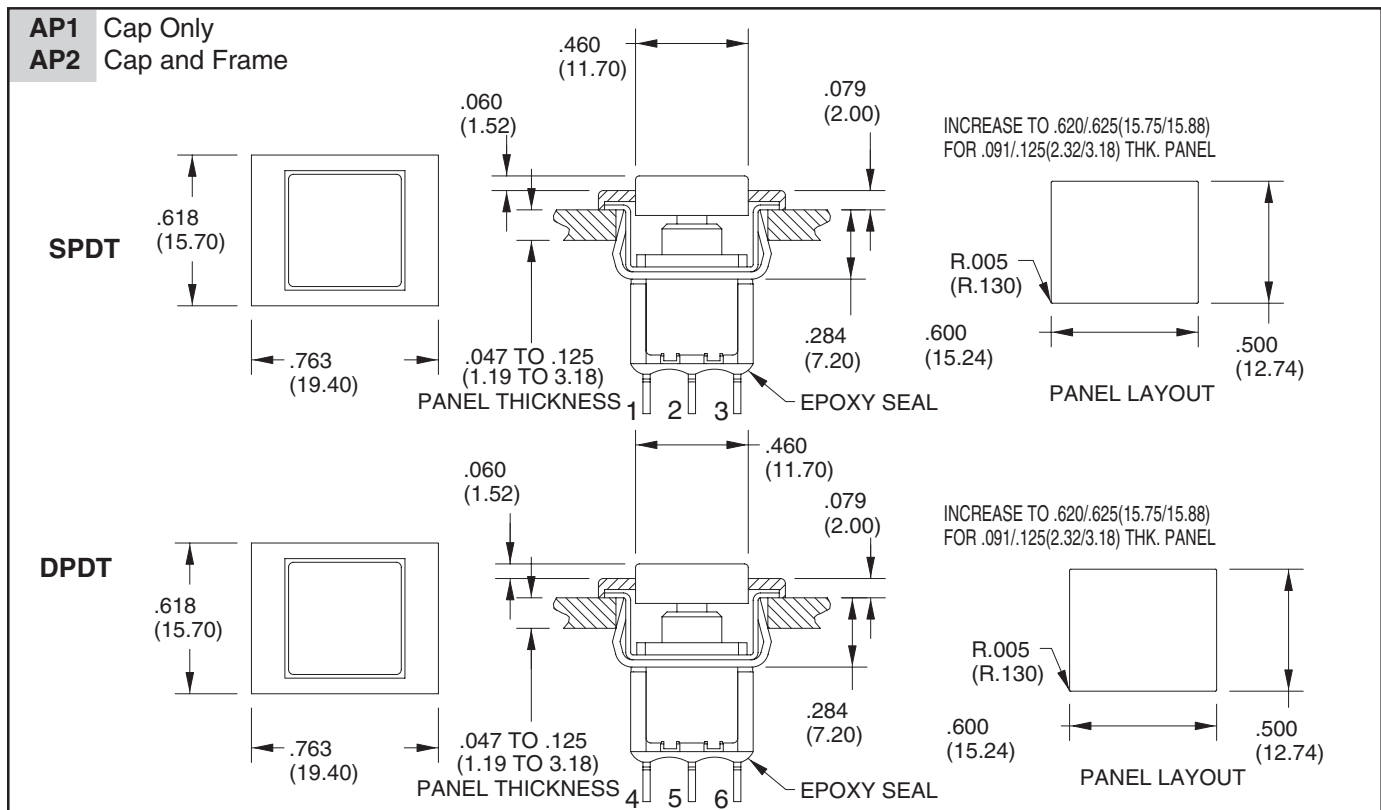


**Snap-in Termination Options**

(Snap-in termination options have the same PC layout as M2, M6 and M7 options)

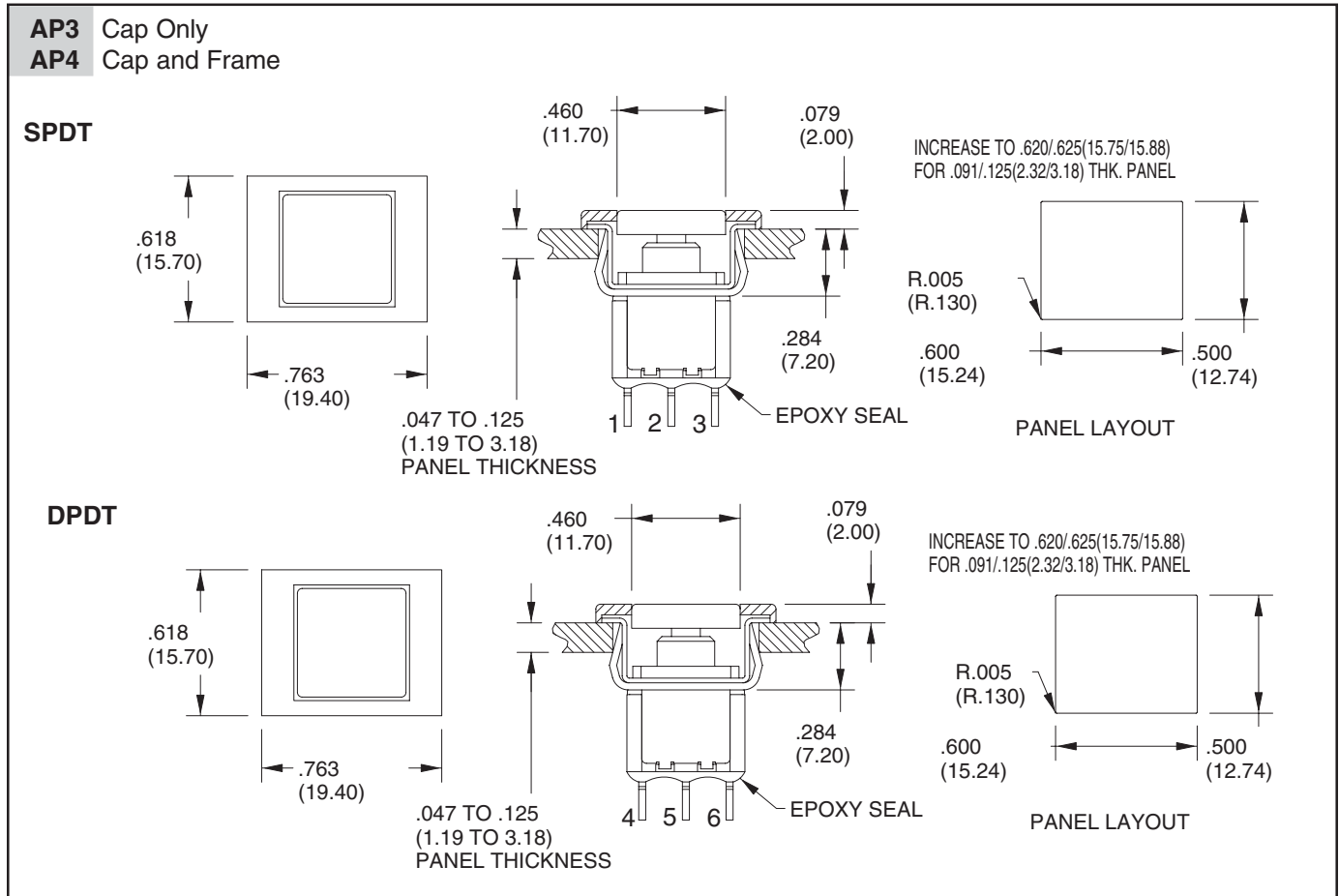


**BUSHING OPTIONS** IN INCHES (AND MILLIMETERS)  
FOR PANEL MOUNTING



Pushbutton Switches

## BUSHING OPTIONS IN INCHES (AND MILLIMETERS) FOR PANEL MOUNTING



### SPECIFICATIONS

#### RATINGS

**Contact Rating:** Q & G option - 3A with resistive load @ 125 VAC or 28 VDC; 1.5A with resistive load @ 250 VAC. R option - 0.4 VA max @ 20 Vmax (AC or DC)

**Electrical Life:** 50,000 make-and-break cycles at full load

**Travel:** .050 ± .010

**Contact Resistance:** 20 milliohms max. initial @ 2-4 VDC, 100 mA

**Insulation Resistance:** 1,000 megaohms minimum

**Dielectric Strength:** 1,000 V RMS @ sea level

**Operating Temperature:** -30°C to 85°C

#### MATERIALS

**Case:** Diallyl phthalate (DAP) (UL94V-0)

**Plunger:** Glass filled nylon or glass filled polyester

**Bushing:** Brass, nickel plated

**Housing:** Stainless steel

**Terminal/Switch Support:** Brass, electroplated

**Terminal Seal:** Epoxy

### ORDERING INFORMATION

SERIES	MODEL NO.	PLUNGER	BUSHING	TERMINATION	CONTACT	SEAL
<b>38C</b>	<b>SP7</b>		<b>B10</b>	<b>M1</b>	<b>Q</b>	<b>T</b>
38C = Miniature Pushbutton Switches	Options: SP7, DP7 (see models for switching positions)	Options: Blank=std as shown in dwg 0 = 0.0 (Flush) 1 = .205 (5.02) 2 = .079 (2.00)	Options: AP1, AP2, AP3, AP4, B10, B11, B21, B21 (see bushing options)	Options: M1, M2, M3, M6, M7, S2, S6, V2, V3, V4, V5, W1, W2, W3, W4 (see termination options)	R = Copper alloy, gold plate over nickel plate.  Q = Copper alloy, silver plated  G=Gold plate over silver plate	T = Lead Free and RoHS Compliant