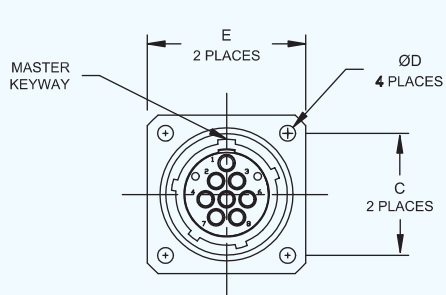
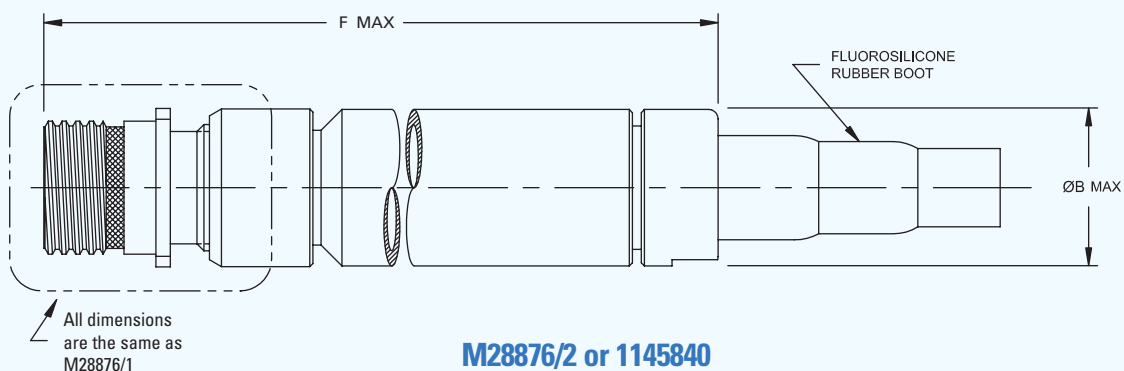
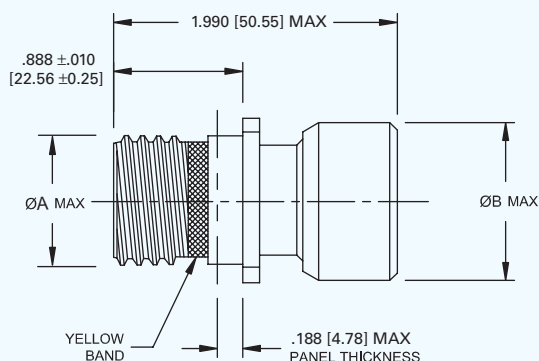


# Wall Mount Receptacles



**M28876/1 or 4565141**



**M28876/2 or 1145840**

**Dimension Table, Wall Mount Receptacles**

Connector Size	ØA Max.	ØB Max.	C	ØD	E	F Max.	G Max.	H Max.	J Max.	K Max.
11	.750 [19.05]	.960 [24.38]	.750 [19.05]	.130 [3.30]	1.043 [26.49]	6.150 [156.21]	6.150 [156.21]	3.540 [89.92]	4.250 [107.95]	4.250 [107.95]
				.115 [2.92]	1.001 [25.43]					
13	.875 [22.23]	1.085 [27.56]	.843 [21.41]	.130 [3.30]	1.158 [29.41]	6.150 [156.21]	6.250 [158.75]	3.580 [90.93]	4.250 [107.95]	4.250 [107.95]
				.115 [2.92]	1.116 [28.35]					
15	1.062 [26.97]	1.257 [31.93]	.968 [24.59]	.130 [3.30]	1.278 [32.46]	6.150 [156.21]	6.500 [165.10]	3.850 [97.79]	4.500 [114.30]	4.500 [114.30]
				.115 [2.92]	1.236 [31.39]					
23	1.500 [38.10]	1.703 [43.26]	1.281 [32.54]	.130 [3.30]	1.738 [44.15]	6.150 [156.21]	7.500 [190.50]	5.000 [127.00]	5.000 [127.00]	5.000 [127.00]
				.115 [2.92]	1.698 [43.13]					

Dimensions shown are for reference only. Unless otherwise specified, dimensions are in inches and [millimeters].