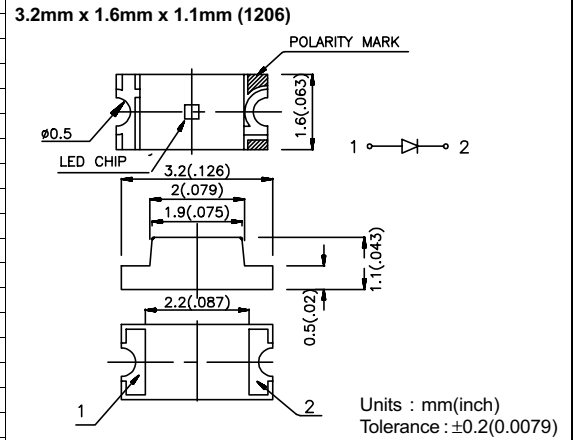


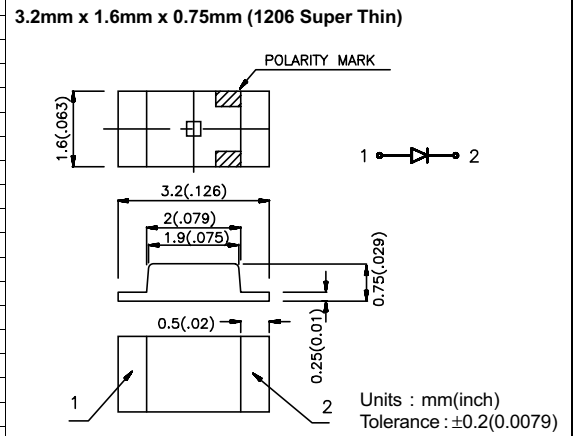
KPC-3216			KPT-3216			KPTR-3216		
----------	--	--	----------	--	--	-----------	--	--

Part No.	Emitting Color + Material	Wave-length (nm)	Lens Type	Iv (mcd) @20mA		Viewing Angle	Dimension
				Min.	Typ.		

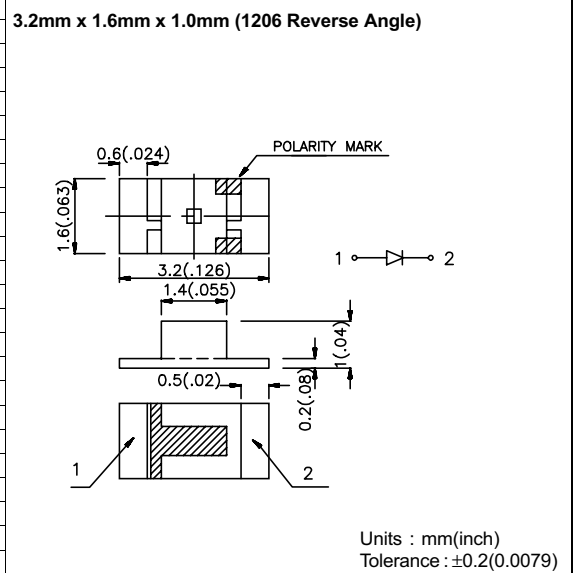
KPC-3216HD	GaP	700	red diffused	0.8	1.2	120°
KPC-3216HC	GaP	700	water clear	0.8	1.2	120°
KPC-3216ID	GaAsP/GaP	625	red diffused	5	12	120°
KPC-3216EC	GaAsP/GaP	625	water clear	5	12	120°
KPC-3216SGD	GaP	565	green diffused	3	12	120°
KPC-3216SGC	GaP	565	water clear	3	12	120°
KPC-3216YD	GaAsP/GaP	590	yellow diffused	3	8	120°
KPC-3216YC	GaAsP/GaP	590	water clear	3	8	120°
KPC-3216SRD-PRV	GaAlAs	660	red diffused	40	70	120°
KPC-3216SRC-PRV	GaAlAs	660	water clear	40	70	120°
KPC-3216SURC	InGaAlP	640	water clear	70	180	120°
KPC-3216SURCK	InGaAlP	640	water clear	50	150	120°
KPC-3216SEC	InGaAlP	610	water clear	80	250	120°
KPC-3216SECK	InGaAlP	610	water clear	70	200	120°
KPC-3216MGC	InGaAlP	565	water clear	20	50	120°
KPC-3216SYC	InGaAlP	590	water clear	40	70	120°
KPC-3216SYCK	InGaAlP	590	water clear	30	50	120°
KPC-3216MBC	GaN	430	water clear	2	8	120°
KPC-3216PBC	InGaN	468	water clear	30	45	120°



KPT-3216HD	GaP	700	red diffused	0.8	1.2	120°
KPT-3216HC	GaP	700	water clear	0.8	1.2	120°
KPT-3216ID	GaAsP/GaP	625	red diffused	5	12	120°
KPT-3216EC	GaAsP/GaP	625	water clear	5	12	120°
KPT-3216SGD	GaP	565	green diffused	3	12	120°
KPT-3216SGC	GaP	565	water clear	3	12	120°
KPT-3216YD	GaAsP/GaP	590	yellow diffused	3	8	120°
KPT-3216YC	GaAsP/GaP	590	water clear	3	8	120°
KPT-3216SRD-PRV	GaAlAs	660	red diffused	40	70	120°
KPT-3216SRC-PRV	GaAlAs	660	water clear	40	70	120°
KPT-3216SURC	InGaAlP	640	water clear	70	180	120°
KPT-3216SURCK	InGaAlP	640	water clear	50	150	120°
KPT-3216SEC	InGaAlP	610	water clear	80	250	120°
KPT-3216SECK	InGaAlP	610	water clear	70	200	120°
KPT-3216MGC	InGaAlP	565	water clear	20	50	120°
KPT-3216SYC	InGaAlP	590	water clear	40	70	120°
KPT-3216SYCK	InGaAlP	590	water clear	30	50	120°
KPT-3216MBC	GaN	430	water clear	2	8	120°
KPT-3216PBC	InGaN	468	water clear	30	45	120°



KPTR-3216HD	GaP	700	red diffused	0.8	1.2	120°
KPTR-3216HC	GaP	700	water clear	0.8	1.2	120°
KPTR-3216ID	GaAsP/GaP	625	red diffused	5	12	120°
KPTR-3216EC	GaAsP/GaP	625	water clear	5	12	120°
KPTR-3216NW	GaAsP/GaP	610	white diffused	5	12	120°
KPTR-3216SGD	GaP	565	green diffused	3	12	120°
KPTR-3216SGC	GaP	565	water clear	3	12	120°
KPTR-3216SGW	GaP	560	white diffused	3	12	120°
KPTR-3216QGW	GaP	560	white diffused	3	12	120°
KPTR-3216PGW	GaP	555	white diffused	2	5	120°
KPTR-3216YD	GaAsP/GaP	590	yellow diffused	3	8	120°
KPTR-3216YC	GaAsP/GaP	590	water clear	3	8	120°
KPTR-3216PYW	GaAsP/GaP	580	white diffused	3	8	120°
KPTR-3216SRD-PRV	GaAlAs	660	red diffused	40	70	120°
KPTR-3216SRC-PRV	GaAlAs	660	water clear	40	70	120°
KPTR-3216SRW-PRV	GaAlAs	660	white diffused	40	70	120°
KPTR-3216SURC	InGaAlP	640	water clear	70	180	120°
KPTR-3216SURCK	InGaAlP	640	water clear	50	150	120°
KPTR-3216SEC	InGaAlP	610	water clear	80	250	120°
KPTR-3216SECK	InGaAlP	610	water clear	70	200	120°
KPTR-3216SYC	InGaAlP	590	water clear	40	70	120°
KPTR-3216SYCK	InGaAlP	590	water clear	30	50	120°
KPTR-3216MBC	GaN	430	water clear	2	8	120°
KPTR-3216MBW	GaN	430	white diffused	2	8	120°
KPTR-3216PBC	InGaN	468	water clear	30	45	120°



NOTE :

1. KP series custom-made is available upon request.