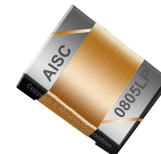


# LOW PROFILE WIRE WOUND INDUCTOR (CERAMIC BASE)

AISC-0805LP



RoHS  
Compliant



2.29 x 1.73 x 1.03mm

## FEATURES:

- Wire wound Ceramic Construction Provides High SRFs and Exceptional Q Values
- Outstanding Endurance from Pull-up Force, Mechanical Shock and Pressure
- Tighter Tolerance of  $\pm 2\%$ , Low Profile Construction
- Working Temperature Range :  $-40^{\circ}\text{C} \sim 125^{\circ}\text{C}$

## APPLICATIONS:

- Widely applied in the VCO, RF module, remote controller and security system
- Cellular Phone (CDMA/GSM/PHS), Wireless PDA,
- Base Station, Repeater, GPS Receiver
- CATV Filter, Tuner, Set Top Box, Cable Modem/XDSL Tuner
- USB 2.0, IEEE 1394

## ELECTRICAL SPECIFICATIONS:

### PARAMETERS

ABRACON P/N: AISC-0805LP Series

Operating temperature:  $-40^{\circ}\text{C}$  to  $+125^{\circ}\text{C}$

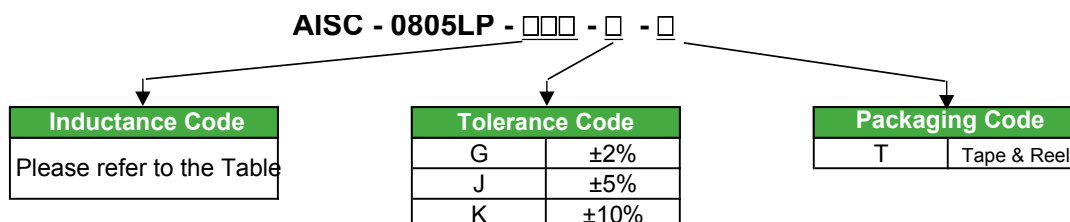
Storage temperature:  $-40^{\circ}\text{C}$  to  $+85^{\circ}\text{C}$ , 70% RH max.

Part Number	Inductance (L) @Test Freq. (nH)	Tolerance ( $\pm\%$ )	Q, Min @Test Freq.	SRF Min (GHz)	R <sub>DC</sub> Max ( $\Omega$ )	I <sub>DC</sub> Max (mA)	Color Code
AISC-0805LP-1N8	1.8 @ 250 MHz	K	55 @ 1500 MHz	9.4	0.03	800	Black
AISC-0805LP-3N9	3.9 @ 250 MHz	J, K	60 @ 1000 MHz	6.1	0.06	800	Brown
AISC-0805LP-4N7	4.7 @ 250 MHz	J, K	50 @ 1000 MHz	5.5	0.06	800	Red
AISC-0805LP-6N8	6.8 @ 250 MHz	J, K	50 @ 1000 MHz	5.5	0.08	800	Orange
AISC-0805LP-8N2	8.2 @ 250 MHz	G, J, K	50 @ 1000 MHz	4.8	0.08	800	Yellow
AISC-0805LP-10N	10 @ 250 MHz	G, J, K	55 @ 750 MHz	3.3	0.08	800	Green
AISC-0805LP-12N	12 @ 250 MHz	G, J, K	55 @ 750 MHz	3.8	0.1	800	Blue
AISC-0805LP-15N	15 @ 250 MHz	G, J, K	50 @ 500 MHz	2.95	0.1	800	Violet
AISC-0805LP-18N	18 @ 250 MHz	G, J, K	50 @ 500 MHz	3.1	0.13	800	Gray
AISC-0805LP-22N	22 @ 250 MHz	G, J, K	50 @ 500MHz	2.9	0.15	800	Whit
AISC-0805LP-27N	27 @ 250 MHz	G, J, K	50 @ 500MHz	2.45	0.23	600	Black
AISC-0805LP-33N	33 @ 250 MHz	G, J, K	50 @ 500MHz	2.35	0.28	600	Brown
AISC-0805LP-39N	39 @ 250 MHz	G, J, K	50 @ 500MHz	2.2	0.33	600	Red
AISC-0805LP-47N	47 @ 200 MHz	G, J, K	50 @ 500MHz	2	0.39	600	Orange
AISC-0805LP-56N	56 @ 200 MHz	G, J, K	50 @ 500MHz	1.85	0.39	500	Yellow
AISC-0805LP-68N	68 @ 200 MHz	G, J, K	50 @ 500MHz	1.5	0.4	500	Green
AISC-0805LP-82N	82 @ 150 MHz	G, J, K	50 @ 500MHz	1.5	0.44	500	Blue
AISC-0805LP-R10	100 @ 150 MHz	G, J, K	50 @ 500MHz	1.2	0.64	400	Violet
AISC-0805LP-R12	120 @ 150 MHz	G, J, K	40 @ 250 MHz	1.15	0.68	300	Gray
AISC-0805LP-R15	150 @ 150 MHz	G, J, K	40 @ 250 MHz	1.05	0.8	300	Whit
AISC-0805LP-1R0	1000 @ 25 MHz	G, J, K	16 @ 50 MHz	0.08	3.5	1.7	Black

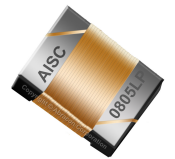
### Test Equipment

- 1.For SMT inductor, the inductance value(L) is measured by using HP4291B impedance analyzer
2. RDC measured by using Micro-ohm meter (GOM-801G)
- 3.For SMT inductor , the quality factor (Q) is measured by using HP4291B impedance analyzer
- 4.For SMT inductor ,SRF is measured by using HP8753 network analyzer

## OPTIONS AND PART IDENTIFICATION



# LOW PROFILE WIRE WOUND INDUCTOR (CERAMIC BASE)

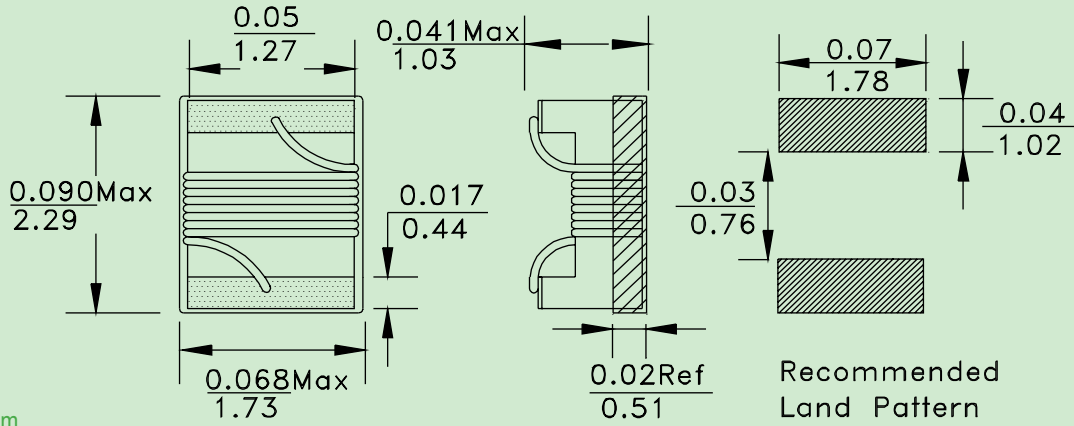


2.29 x 1.73 x 1.03mm

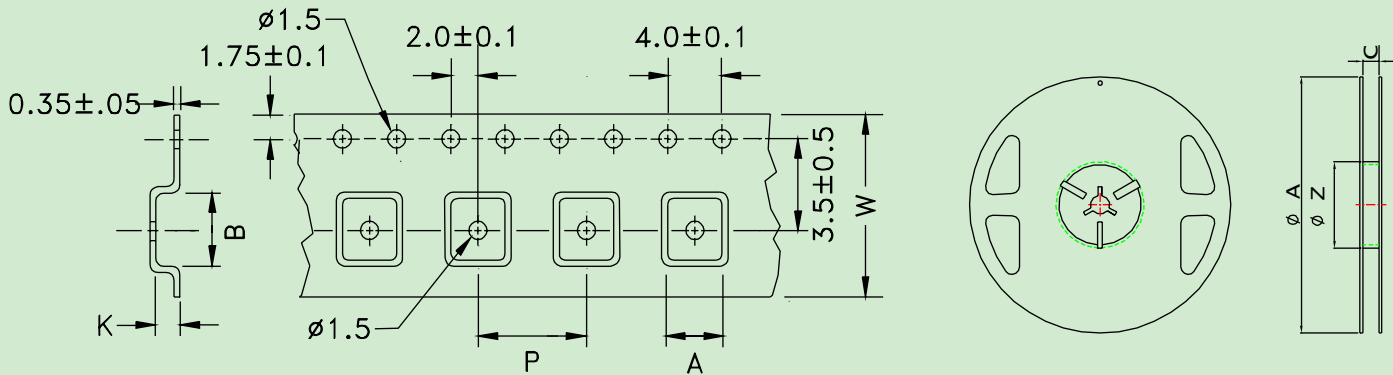
**AISC-0805LP**



## OUTLINE DRAWING:



## TAPE & REEL: Tape and reel 2,000pcs/reel

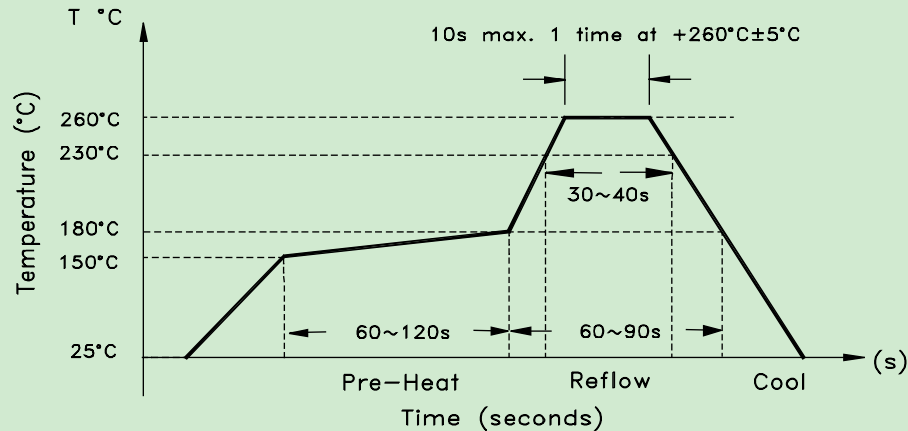


ABRACON P/N	A (mm)	B (mm)	K (mm)	P (mm)	W (mm)	PCS/REEL
AISC-0805LP	1.8	2.3	0.9	4	8	2,000

Series	A	C	Z
AISC-0805LP	178±2.0	9±0.3	60±1.0

Dimensions: mm

## REFLOW PROFILE:



**NOTE:** Abracon manufactured products are intended for general commercial and industrial use. For applications requiring high reliability and/or presenting extreme operating environment, written consent & authorization from Abracon is required.

ABRACON IS  
ISO 9001 / QS 9000  
CERTIFIED



Visit [www.abracon.com](http://www.abracon.com) for Terms & Conditions of Sale **Revised: 08.18.09**  
30332 Esperanza, Rancho Santa Margarita, California 92688  
tel 949-546-8000 | fax 949-546-8001 | [www.abracon.com](http://www.abracon.com)