

ST Patchcord

Description:

The ST connectors are offered in MM or SM performances with PC polishing method. It is possible to exactly specify your demands of boot colors.



Features:

- Coupling nut radial track minimizes the rotation needed to mate the connector
- One piece body construction simplifies field assembly
- Single mode and multimode versions available
- Accommodates tight and loose tube buffer cables with jacket up to 3.1mm
- Ceramic ferrules are configured for easy hand or machine "Super" PC and "Ultra" Polishing
- Optional boot colors available
- Boot options for 3.0 mm and 900 micron breakout cable
- Universal dust cap (fits, ST, SC, FC)

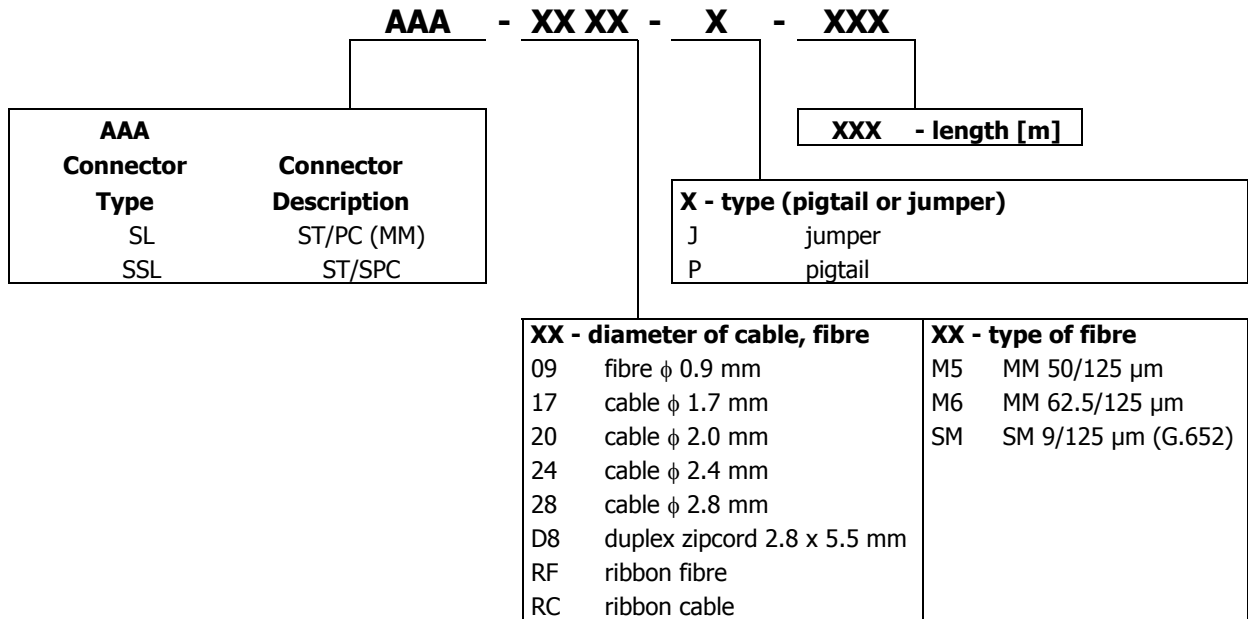
Specifications:

Insertion loss (IL)	typ. 0,25 dB
Return loss (RL)	> 40 dB for jumper length up to 3 m
Strain relief	100 N
Operating temperature	-40°C to +80°C, conditioned by type of cable
Durability	min 500 cycles
Assembly procedure	glue and polish
Connection	physical contact
Lock mechanism	coupling nut
Standards	Bellcore GR-326, TIA 568A
Ferrule material	full ceramic zirconia
Connector material	zinc alloy, nickel plated, thermoplastic rubber

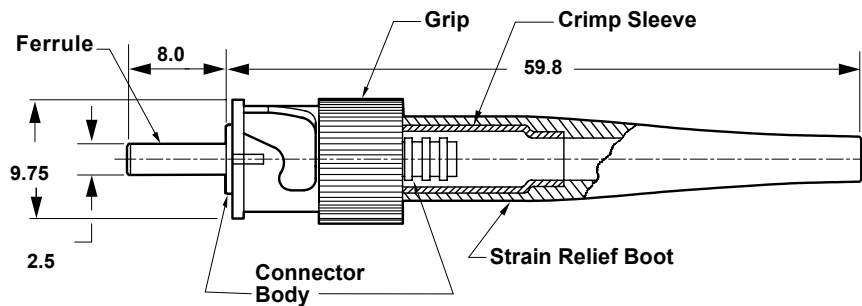
Application:

- LAN, WAN
- Measuring Technique
- Utilities
- Railways

Ordering code:



Dimensions:



Samples:

2xSL-D8 M5-J-0000.5

SSL-09 SM-P-001



ST[®] is trademark of Lucent Technologies, Inc.