

# 2 • ROW

## Cable to Cable

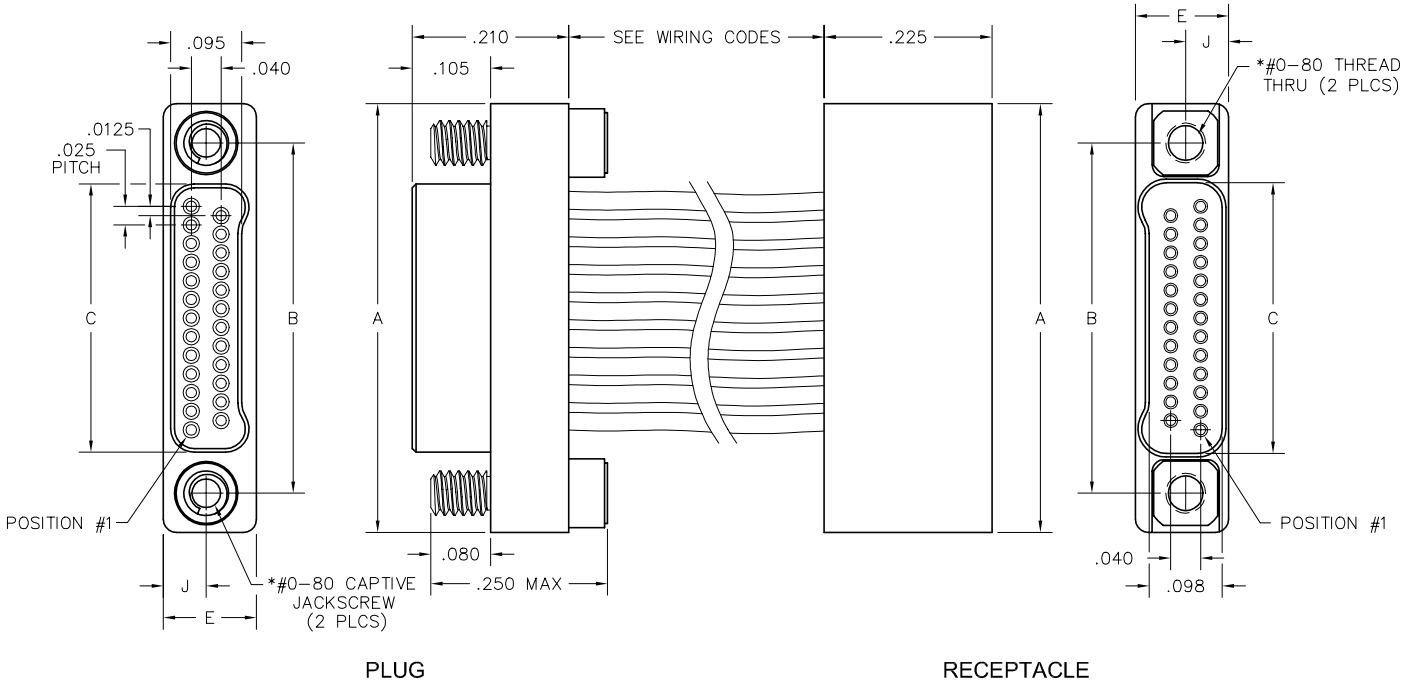
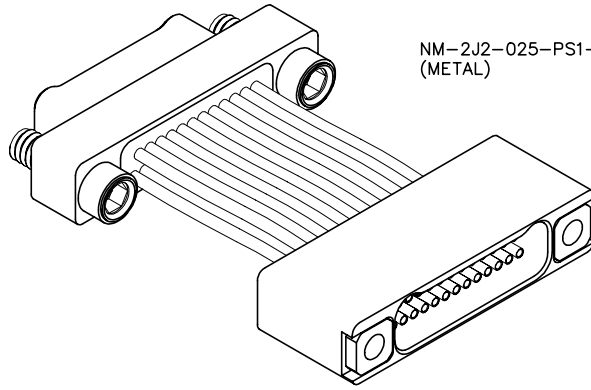
### (Jumper Assembly)

.025"

**NM, NM**

9 thru 85 Contacts

NM-2J2-025-PS1-JTWA  
(METAL)

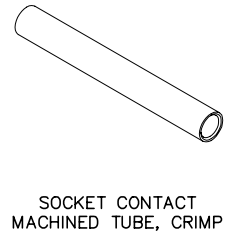


PLUG

RECEPTACLE



SIZE	A	B	C		E	J	*HARDWARE
			PLUG	RCPT			
9	.375	.270	.160	.163	.125	.0575	#0-80 THREAD
15	.450	.345	.235	.238			
21	.525	.420	.310	.313			
25	.575	.470	.360	.363			
31	.650	.545	.435	.438			
37	.725	.620	.510	.513			
51	.900	.795	.685	.688			
65	1.075	.970	.860	.863			
69	1.125	1.020	.910	.913			
85	1.377	1.246	1.110	1.113			



NM- 2J2- 025- PS1- JTWA  
 XX- XXX- XXX- XXX- XXXX

<b>SERIES</b>	
NM .025" Metal I/O Connector	
<b>BODY</b>	
2	2-Row
BODY STYLE:	
J	Jumper assembly
BODY MATERIAL:	
2	Liquid Crystal Polymer with electroless nickel shell
3	Liquid Crystal Polymer with electrodeposited cadmium shell
<b>SIZE</b>	
XXX Number of contacts (009, 015, 021, 025, 031, 037, 051, 065, 069 or 085)	
<b>CONTACTS</b>	
TYPE CONTACTS/TERMINATIONS:	
PP	Plug to plug
PS	Plug to receptacle
SS	Receptacle to receptacle
PLATING OPTIONS:	
1	50 μ" Au contacts
<b>HARDWARE</b>	
STYLE OF HARDWARE:	
00	None
JJ	Four #0-80* turning jackscrews, captivated, on both connectors
JT	Two #0-80* turning jackscrews, captivated, on plug & two #0-80* threaded holes on receptacle
JP	Two #0-80* turning jackscrews, captivated, on plug & two #0-80* threaded holes on plug
TJ	Two #0-80* threaded holes on plug & two #0-80* turning jackscrews, captivated, on receptacle
JR	Two #0-80* turning jackscrews, captivated, on receptacle & two #0-80* threaded holes on receptacle
TT	Four #0-80* threaded holes on both connectors
POLARIZATION / WIRING:	
WX	For wiring codes, see page N-51

\* = #2-56 hardware on 85 position connectors

## AirBorn Standard Nano Wire Codes (in accordance with MIL-W-16878)

Wire Code	Wire Size	Wire Type	Wire Color	Wire Length (+1.0"/-0.0")
AA	30 AWG	TFE 7-strand ET	Per MIL-STD-681 *	6.0
AB	30 AWG	TFE 7-strand ET	Per MIL-STD-681 *	12.0
AC	30 AWG	TFE 7-strand ET	Per MIL-STD-681 *	18.0
AD	30 AWG	TFE 7-strand ET	Per MIL-STD-681 *	36.0
AE	30 AWG	TFE 7-strand ET	White	6.0
AF	30 AWG	TFE 7-strand ET	White	12.0
AG	30 AWG	TFE 7-strand ET	White	18.0
AH	30 AWG	TFE 7-strand ET	White	36.0
AJ	30 AWG	TFE 7-strand ET	Yellow	6.0
AK	30 AWG	TFE 7-strand ET	Yellow	12.0
AL	30 AWG	TFE 7-strand ET	Yellow	18.0
AM	30 AWG	TFE 7-strand ET	Yellow	36.0
AN	32 AWG	TFE 7-strand ET	Per MIL-STD-681 *	6.0
AP	32 AWG	TFE 7-strand ET	Per MIL-STD-681 *	12.0
AQ	32 AWG	TFE 7-strand ET	Per MIL-STD-681 *	18.0
AR	32 AWG	TFE 7-strand ET	Per MIL-STD-681 *	36.0
AS	32 AWG	TFE 7-strand ET	White	6.0
AT	32 AWG	TFE 7-strand ET	White	12.0
AU	32 AWG	TFE 7-strand ET	White	18.0
AV	32 AWG	TFE 7-strand ET	White	36.0
AW	32 AWG	TFE 7-strand ET	Yellow	6.0
AX	32 AWG	TFE 7-strand ET	Yellow	12.0
AY	32 AWG	TFE 7-strand ET	Yellow	18.0
AZ	32 AWG	TFE 7-strand ET	Yellow	36.0

\* = Color coding in accordance with MIL-STD-681, System I, except using ten solid colors only in repeating sequence.