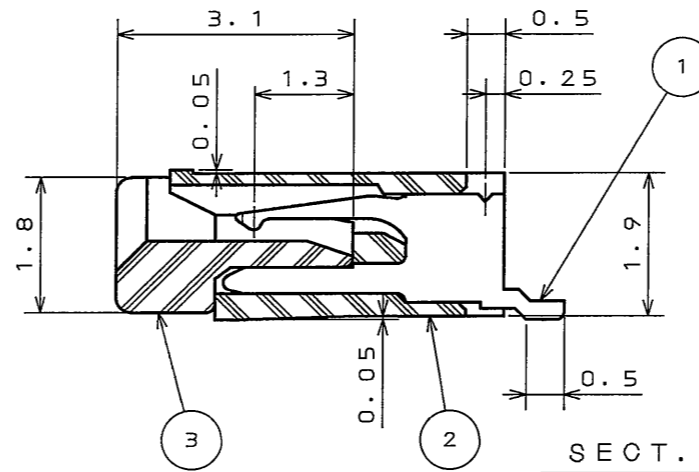
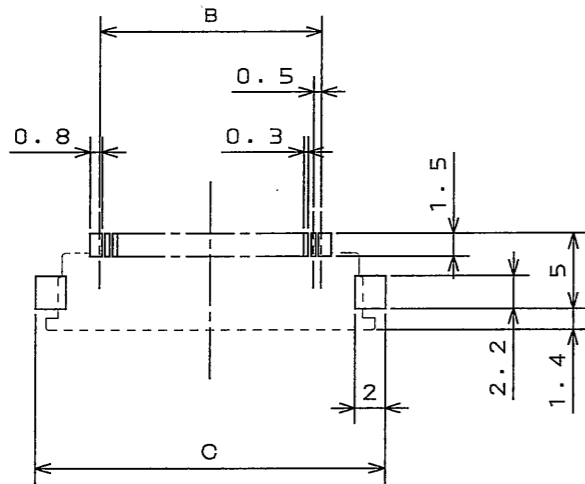
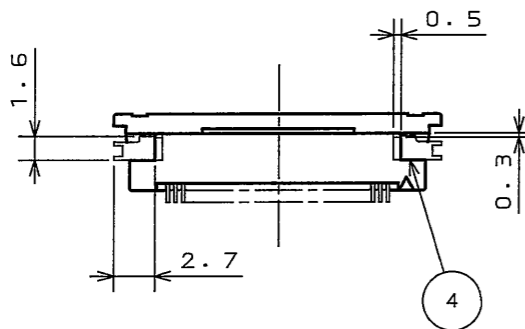
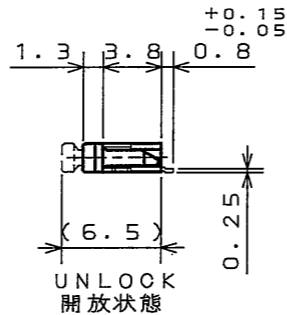
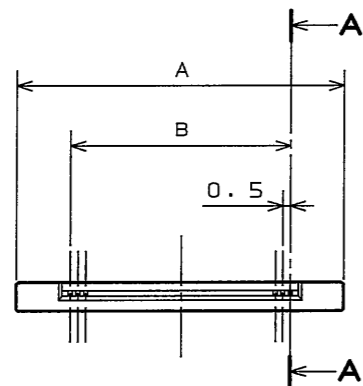
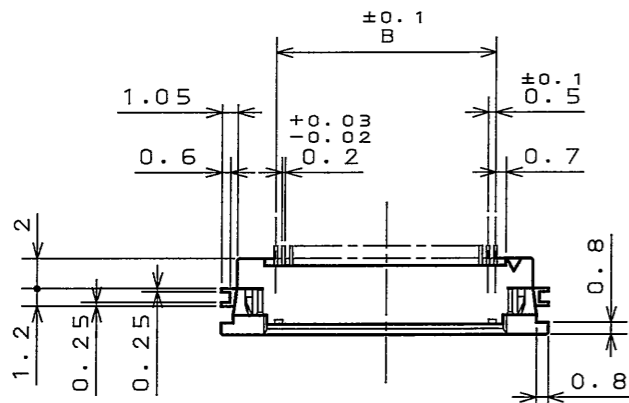


SJ100469
(ON 0NIMARD) 台票理図

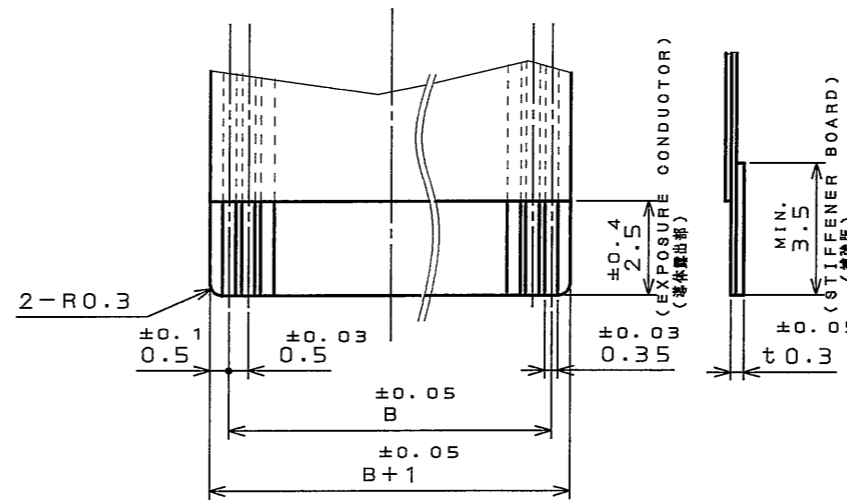
| 版数 REV. | 年月日 DATE | DCN NO. | 変更内容 DESCRIPTION | 製図 DR. | 担当 CHK. | 査閲 APPD. | 承認 APPD. |
|---------|-------------|---------|------------------|-------------|---------|----------|-------------|
| 2 | 12.Apr.2004 | 054834 | ADDED ITEMS etc. | M.YAMASHITA | T.KUDOU | — | Y. Ichiyama |

TABLE 1

| No. OF CONTACTS N | A | B | C |
|-------------------|------|------|------|
| 5 | 9.1 | 2.0 | 10.5 |
| 6 | 9.6 | 2.5 | 11.0 |
| 7 | 10.1 | 3.0 | 11.5 |
| 8 | 10.6 | 3.5 | 12.0 |
| 9 | 11.1 | 4.0 | 12.5 |
| 10 | 11.6 | 4.5 | 13.0 |
| 11 | 12.1 | 5.0 | 13.5 |
| 12 | 12.6 | 5.5 | 14.0 |
| 13 | 13.1 | 6.0 | 14.5 |
| 14 | 13.6 | 6.5 | 15.0 |
| 16 | 14.6 | 7.5 | 16.0 |
| 17 | 15.1 | 8.0 | 16.5 |
| 18 | 15.6 | 8.5 | 17.0 |
| 20 | 16.6 | 9.5 | 18.0 |
| 21 | 17.1 | 10.0 | 18.5 |
| 22 | 17.6 | 10.5 | 19.0 |
| 26 | 19.6 | 12.5 | 21.0 |
| 28 | 20.6 | 13.5 | 22.0 |
| 30 | 21.6 | 14.5 | 23.0 |
| 31 | 22.1 | 15.0 | 23.5 |
| 32 | 22.6 | 15.5 | 24.0 |
| 33 | 23.1 | 16.0 | 24.5 |
| 34 | 23.6 | 16.5 | 25.0 |
| 35 | 24.1 | 17.0 | 25.5 |
| 36 | 24.6 | 17.5 | 26.0 |
| 38 | 25.6 | 18.5 | 27.0 |
| 40 | 26.6 | 19.5 | 28.0 |
| 45 | 29.1 | 22.0 | 30.5 |
| 50 | 31.6 | 24.5 | 33.0 |



SECT. A-A
(SCALE 10:1)



APPLICABLE F.P.C. DIMENSION (REF.)
適合FPC寸法(参考)

注1. F.P.Cの仕上げは金メッキのこと。
NOTE1. EXPOSURE CONDUCTORS OF F.P.C SHOULD BE GIVEN GOLD PLATING.

APPLICABLE P.C.B. DIMENSION (REF.)
適合基板寸法(参考)

| 符号 NO. | 名称 DESCRIPTION | 個数 QTY. | 材料 MATERIAL | 仕上 FINISH | 備考 REMARKS |
|--------|-----------------|---------|---------------------|-----------------------------------|-------------------------|
| 4 | HOLD-DOWN | 2 | COPPER ALLOY | (LEAD-FREE) TIN/TIN ALLOY PLATING | |
| 3 | SLIDE INSULATOR | 1 | GLASS FILLED PPS | | COLOR: WHITE UL94V-0 |
| 2 | BASE INSULATOR | 1 | GLASS FILLED PPS | | COLOR: BLACK UL94V-0 |
| 1 | CONTACT | N | HIGH STRENGTH BRASS | SELECTIVE GOLD PLATING | |

| | | |
|-----------------------------------|-----------------------------------|-------------------------------------|
| 仕様書 (SPECIFICATION) JAOS-10135 | 第1版 (ORIGINAL DATE) 9.Jan.2004 | 尺度 (SCALE) 2:1 |
| 製図 DR. D.MACHIHARA | 担当 CHK. T.KUDOU | 名称 (TITLE) IL-FPR-U**S -HF-N1 |
| 査閲 APPD. | 承認 APPD. Y.ICHIYAMA | 重量 (WEIGHT) |

| | |
|------------------------|-------------|
| 公差 (GENERAL TOLERANCE) | 角度 (ANGLES) |
| . ±0.8 | X° ± |
| .X ±0.4 | X°X' ± |
| .XX ±0.1 | |
| .XXX ± | |

| | |
|--------------------------------|----------------|
| 図面番号 (DRAWING NO.) SJ100469 | 版数 (REV.) 2 |
|--------------------------------|----------------|

DOF-0-212E(03.08)



LEAD FREE この製品は鉛フリー品です