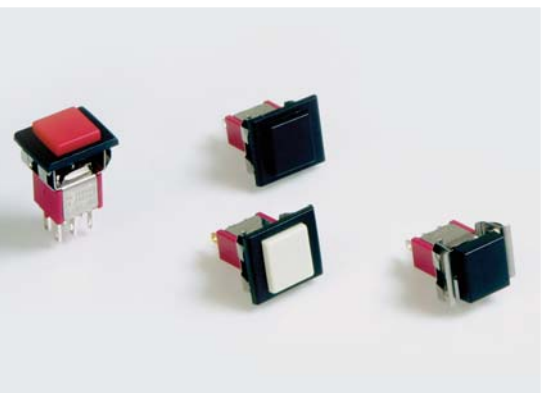


# SERIES 700 SWITCHES

## PUSHBUTTON SWITCHES - SNAP-ACTING PANEL MOUNTED



### SPECIFICATIONS

Contact Rating:	1A @ 250 VDC 3A @ 120 VDC or 28VDC
Life Expectancy:	50,000 cycles typical
Contact Resistance:	10mΩ max., typical @ 2-4 VDC, 100mA for both silver and gold plated contacts
Insulation Resistance:	1,000 MΩ min.
Dielectric Strength:	1,000 V rms at sea level
Actuation Force:	200 ± 50 gf
Operating Temperature:	-30°C to +85°C

### MATERIALS

Case:	Diallyl Phthalate (DAP)
Plunger:	Glass filled nylon or glass filled polyester
Bushing:	Nickel plated brass
Housing:	Stainless steel
Contacts:	Silver or Gold plated copper alloy

### FEATURES & BENEFITS

- ▶ Snap acting contact design
- ▶ Gold & silver contact options
- ▶ Multiple termination options
- ▶ Snap-in panel mount option

### APPLICATIONS/MARKETS

- ▶ Telecommunications
- ▶ Networking
- ▶ Computers/servers
- ▶ Performance audio
- ▶ Instrumentation
- ▶ Low power on/off designs
- ▶ External hard drives and modems

### HOW TO ORDER

SERIES	MODEL NO.	TERMINATION	CONTACT MATERIAL	SEAL	CAP/FRAME	CAP COLOR	FRAME COLOR
700	SP7 DP7	M1 M3	Q = Silver R = Gold	E = Epoxy Sealed at Base of Terminal	AP1 AP2	BLK = Black RED = Red GRY = Grey WHT = White	BLK = Black RED = Red GRY = Grey WHT = White

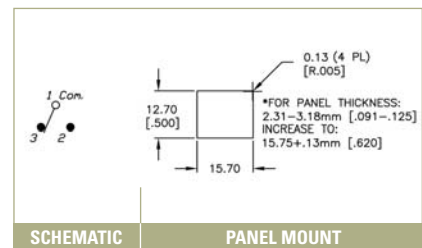
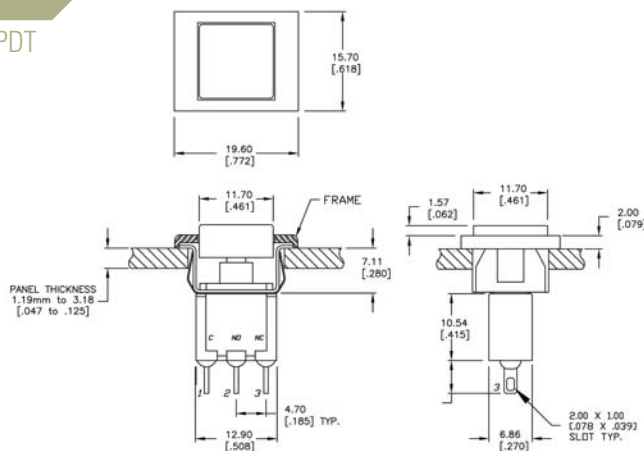
### Example Ordering Number

700-DP7-M1-Q-E-AP1-RED-RED

Specifications subject to change without notice.

### AP2

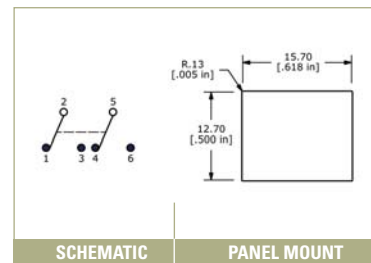
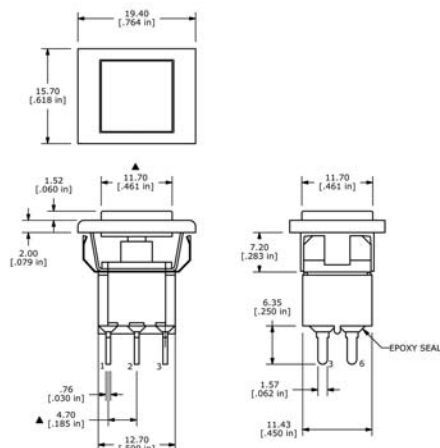
#### CAP/FRAME SPDT





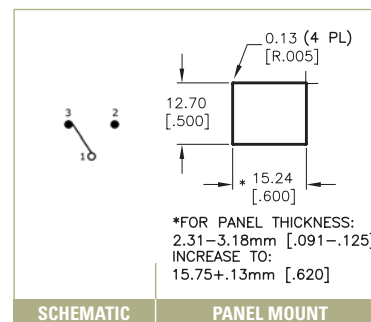
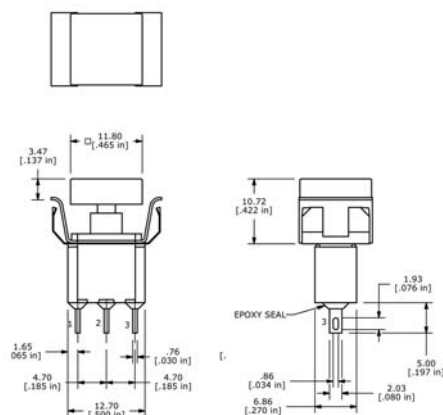
## AP2

CAP/FRAME DPDT



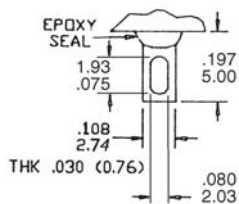
## AP1

CAP/FRAME SPDT

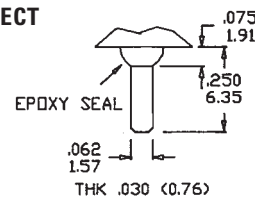


### TERMINATION OPTIONS FOR PANEL MOUNT

#### M1 SOLDER LUG



#### M3 QUICK CONNECT



### CONTACT MATERIAL OPTIONS

#### Q

Fixed Terminal:	Silver plated copper alloy
Moving Contact:	Silver plated copper alloy
Rating:	1 AMP @ 250 VAC 3 AMP @ 125 VAC or 28 VDC

#### R

Fixed Terminal:	Copper alloy with gold plate over nickel plate
Moving Contact:	Copper alloy with gold plate over nickel plate
Rating:	0.4 VA max. @ 20 VAC