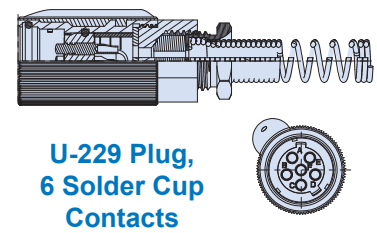
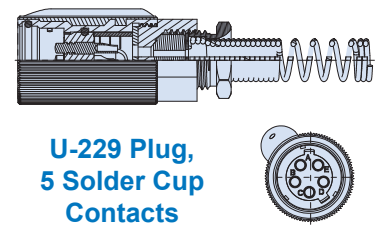
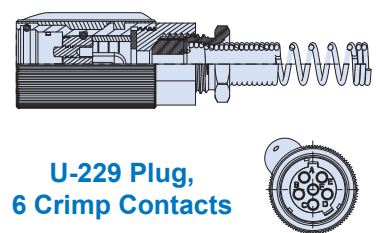
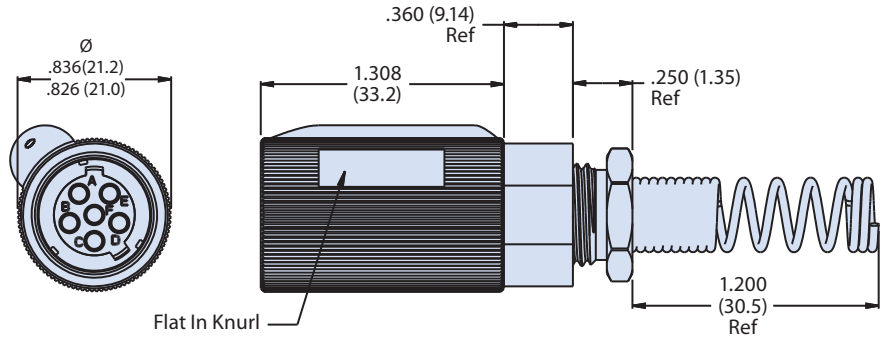
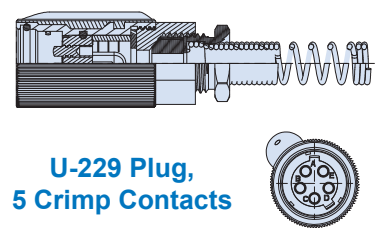


151-001 • M55116/1 – /4
U-229 • MIL-DTL-55116 Type Audio Plugs
Field Serviceable with Wire Strain Relief

MIL-DTL-55116 type audio plug, field serviceable with wire strain relief



These Series 151 MIL-DTL-55116 Type audio plugs are designed for high-reliability, severe environment radio communications equipment. They are available in both 5 pin and 6 pin configurations, with either crimp sleeve or solder cup pogo pin terminals. All feature versatile wire strain relief to protect cable conductors from damage. Shells are made of passivated stainless steel, contacts are gold plated copper alloy. Plug connector contacts are sealed in the unmated condition.



No. of Contacts	Contact Type	Ø Cable ± .010	MIL SPEC Part Number	Glenair Part Number	Mates With
5	Crimp	.165	M55116/1-1	151-001-1-1	151-003-1 151-004-1 151-004-3
		.228	M55116/1-2	151-001-1-2	
		.250	M55116/1-3	151-001-1-3	
		.290	M55116/1-4	151-001-1-4	
		.320	M55116/1-5	151-001-1-5	
6	Crimp	.165	M55116/2-1	151-001-2-1	151-003-2 151-004-2 151-004-4
		.228	M55116/2-2	151-001-2-2	
		.250	M55116/2-3	151-001-2-3	
		.290	M55116/2-4	151-001-2-4	
		.320	M55116/2-5	151-001-2-5	
5	Solder Cup	.165	M55116/3-1	151-001-3-1	151-003-1 151-004-1 151-004-3
		.228	M55116/3-2	151-001-3-2	
		.250	M55116/3-3	151-001-3-3	
		.290	M55116/3-4	151-001-3-4	
		.320	M55116/3-5	151-001-3-5	
6	Solder Cup	.165	M55116/4-1	151-001-4-1	151-003-2 151-004-2 151-004-4
		.228	M55116/4-2	151-001-4-2	
		.250	M55116/4-3	151-001-4-3	
		.290	M55116/4-4	151-001-4-4	
		.320	M55116/4-5	151-001-4-5	