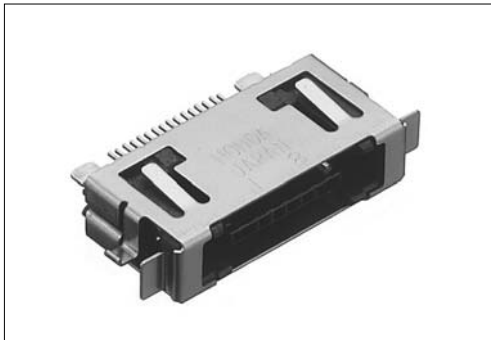


# Right-angle SMT type male board connector RMCA-EA( ) LMY-OM( )-( )

For PCB

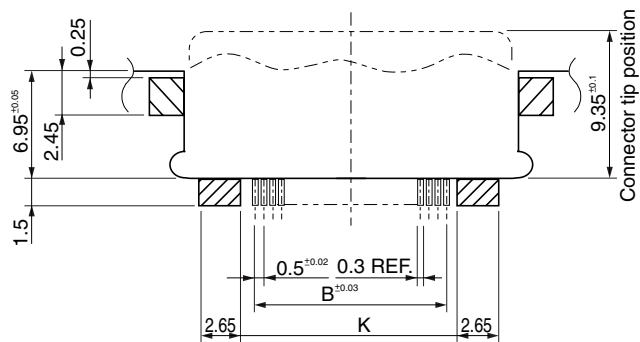
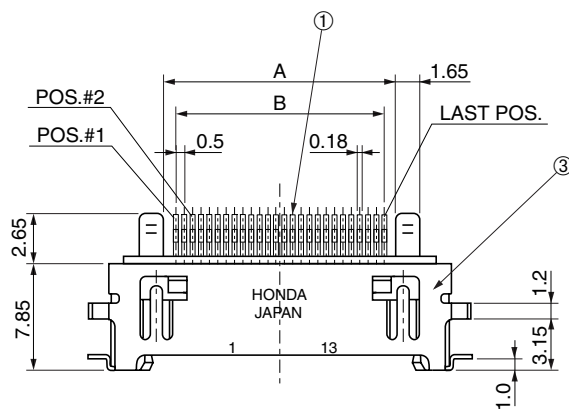
Right-angle SMT



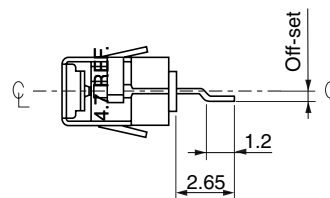
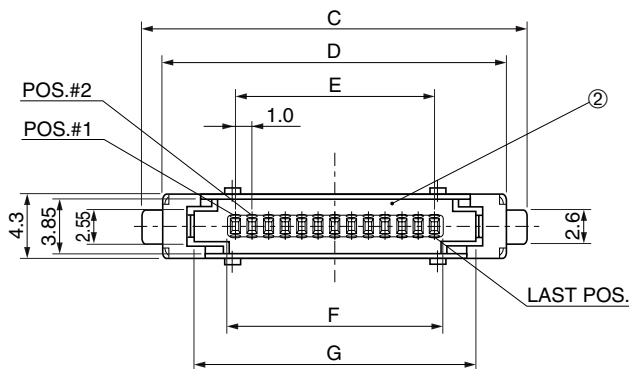
● Configuration of product Part No.

## RMCA-EA ( ) LMY-OM( )-( )

- |   |            |
|---|------------|
| ① Series name   | ⑤ Polarity |
| ② No. of contacts: 16 or 26   | A: A type  |
| ③ Type of contact<br>LMY: Right-angle SMT type, male  | B: B type  |
| ④ Off-set<br>OM00: Off-set 0 mm<br>OM03: Off-set 0.3 mm<br>OM06: Off-set 0.6 mm<br>OM09: Off-set 0.9 mm | C: C type  |
|   | D: D type  |
|   | E: E type  |



PCB layout for reference only  
(Mounting figure for connector)



● Components

①	Contacts
②	Insulator
③	Shell

● Dimensions

Part No.	A	B	C	D	E	F	G	H	J	K
RMCA-EA16LMY-OM06-A	9.7	7.5	19.2	16.1	7.0	7.9	12.2	21.2	16.8	8.7
RMCA-EA26LMY-OM06-A	14.7	12.5	24.2	21.1	12.0	12.9	17.2	26.2	21.8	13.7

Some models may not be quickly supplied depending on the configuration of part number. For availability of the model required, consult your supplier.

Mating connectors: RMCA series of soldering type female connectors