



**Thin Film Chip Resistors
(RB series Standard)**

Document No TRB-120S001B

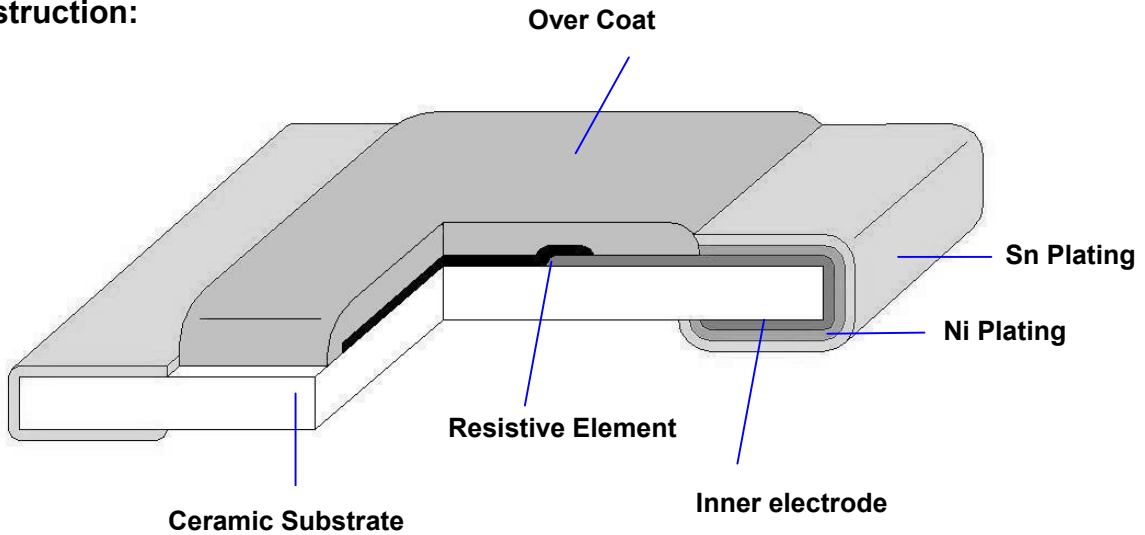
Issued date 2007/12/27

page 1/9

1. Scope :

This specification applies for the RB series of thin film chip resistors made by TA-I.

2. Construction:



3. Type Designation:

RB

12

B

T

P

1001

Product Code

Size

Tolerance

Packaging

TCR

Nominal Resistance

RB : Thin Film

Power Rating

Resistance

12-1206(3216) 1/4W	B- ±0.10% C- ±0.25% D- ±0.50% F- ±1.00%	T- Paper Tape B- Bulk Cassette	J- ±5 ppm k- ±10 ppm M- ±15 ppm P- ±25 ppm S- ±50 ppm	e.g., 1001=1kΩ
--------------------	--	---	---	-------------------



**Thin Film Chip Resistors
(RB series Standard)**

Document No

TRB-120S001B

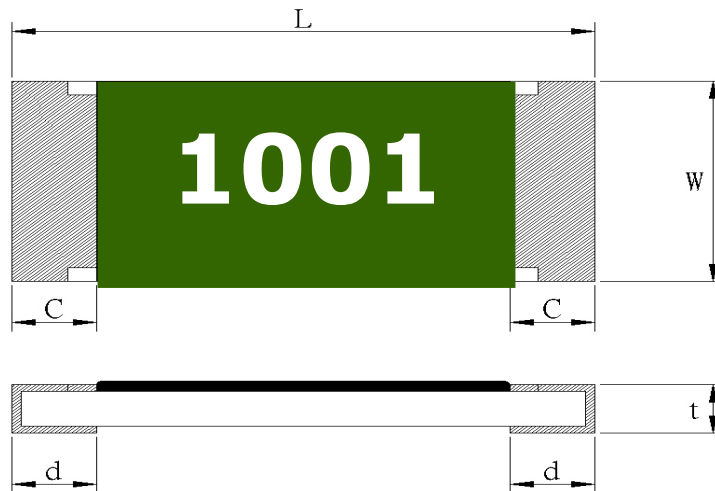
Issued date

2007/12/27

page

2/9

4. Dimensions:



UNIT: mm

Type	L	W	C	d	t
RB12	3.10 ±0.10	1.55 ±0.10	0.50 ±0.30	0.40 ±0.20	0.55 ±0.10

5. Ratings & Characteristics

Type	Power Rating at 70°C	Rated Voltage	Max. Working Voltage	Max. Over- Load Voltage	T.C.R (PPM/°C)	Resistance Range	Resistance tolerance(%)
RB12	1/4 W	Refer 5.2	150V	300V	± 50	1~9.1Ω	±0.5~1
RB12	1/4 W	Refer 5.2	150V	300V	± 10 ±25 ± 50	10Ω~1MΩ	± 0.1 ~ ±1.0

Operating Temp(°C): -55°C ~ +125°C

Note : Except for the above standardized products, we also provide the customized products.



Thin Film Chip Resistors (RB series Standard)

Document No

TRB-120S001B

Issued date

2007/12/27

page

3/9

5.1 Derating Curve :

For resistors operated at ambient temperature over 70°C , power rating shall be derated according to figure 1.

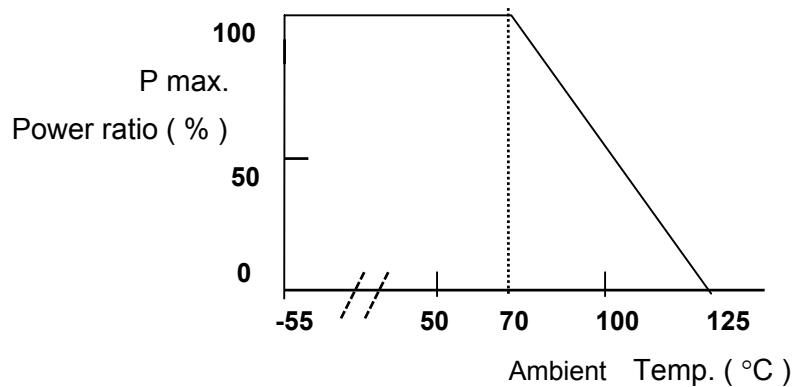


Figure 1

5.2 Rated Voltage:

The rated voltage is calculated by the following formula:

$$E = \sqrt{P * R}$$

E=Rated Voltage(V)

P=Rated Power(W)

R=Resistance Value(Ω)



Thin Film Chip Resistors (RB series Standard)

Document No

TRB-120S001B

Issued date

2007/12/27

page

4/9

6. Reliability Tests:(As specified in JIS C 5202)

Test Items	Reference standard	Condition of Test	Test Limits
Temperature Coefficient of Resistance	JIS-C5202-5.2	+25 ~ +125 °C	Refer 5.0
Rapid Change of Temp.	JIS-C5202-7.4	-55°C(30 min.) / +125°C(30 min.), 5 cycles	±(0.5%+0.05Ω)
Short Time Overload	JIS-C5202-5.5	2.5 X rated voltage for 5sec	±(0.5% + 0.05Ω)
Resistance to Dry Heat	JIS-C5202-7.2	125±5°C for 96±4Hrs	±(0.5% +0.05Ω)
Load Life	JIS-C5202-7.10	1000 hours at rated power , 70°C , 1.5hours“ON “ , 0.5hour “OFF”	±(0.5% +0.05Ω)
Resistance to Solder Heat	JIS-C5202-6.10	270 ±5°C solder , 10 ±1 sec dwell .	±(0.5% +0.05Ω)
Bending	JIS-C5202—6.1	3mm deflection	±(0.5% +0.05Ω)
Dielectric Withstanding Voltage (Voltage Proof)	JIS-C5202-5.7	Applying voltage : 0201 : 50V , 0402 & 0603 : 300V The other 500V for a minute .	No abnormalities such as flashover, burning dielectric breakdown shall appear.
Load Life with Humidity	JIS-C5202-7.5	40±2°C , 90~95% RH for 1000 hours	±(0.5% +0.05Ω)
Insulation Resistance	JIS-C5202-5.6	Applying voltage 100V for 1 minute. Remark : 0201 50V	≥ 1GΩ
Solderability	JIS-C5202-6.11	245 ±5°C solder, 2 ±0.5 sec dwell. Solder : Sn96.5 / Ag3.0 / Cu0.5	At least 95% of surface area of electrode shall be covered with new solder.

Note* :RCWV : Rated continuous working voltage .

7. Marking

7.1 ±0.1% ~ 1%

Resistance value is expressed by 4 digits, the first three digits represent the significant figures of nominal resistance value in Ω, and the fourth digit represents exponent for base of 10.

e.g., 1001 = 100 × 10¹ = 1000Ω = 1KΩ

7.2 ±1%(RB06/E96)

When the marking space is too small in such small-sized resistors as RM06, the marking can not made by 4 digits and may be made by two digits combined with one English capital.



**Thin Film Chip Resistors
(RB series Standard)**

Document No

TRB-120S001B

Issued date

2007/12/27

page

5/9

Symbol for E96 series nominal resistance value

Symbol	E96	Symbol	E96	Symbol	E96	Symbol	E96
01	100	25	178	49	316	73	562
02	102	26	182	50	324	74	576
03	105	27	187	51	332	75	590
04	107	28	191	52	340	76	604
05	110	29	196	53	348	77	619
06	113	30	200	54	357	78	634
07	115	31	205	55	365	79	649
08	118	32	210	56	374	80	665
09	121	33	215	57	383	81	681
10	124	34	221	58	392	82	698
11	127	35	226	59	402	83	715
12	130	36	232	60	412	84	732
13	133	37	237	61	422	85	750
14	137	38	243	62	432	86	768
15	140	39	249	63	442	87	787
16	143	40	255	64	453	88	806
17	147	41	261	65	464	89	825
18	150	42	267	66	475	90	845
19	154	43	274	67	487	91	866
20	158	44	280	68	499	92	887
21	162	45	287	69	511	93	909
22	165	46	294	70	523	94	931
23	169	47	301	71	536	95	953
24	174	48	309	72	549	96	976

Symbol for multipliers

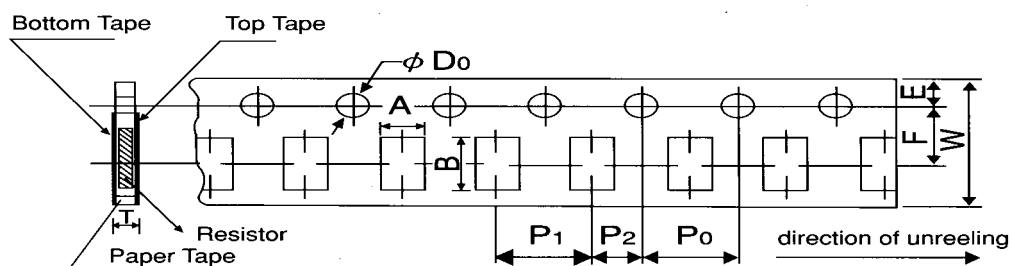
Symbol	A	B	C	D	E	F	G	H	X	Y	Z
multipliers	10 ⁰	10 ¹	10 ²	10 ³	10 ⁴	10 ⁵	10 ⁶	10 ⁷	10 ⁻¹	10 ⁻²	10 ⁻³

Ex: 02c=102 × 10²=10.2kΩ

8. Taping & Reel

8.1 Taping Dimensions

8.1.1 4 mm pitch paper





**Thin Film Chip Resistors
(RB series Standard)**

Document No

TRB-120S001B

Issued date

2007/12/27

page

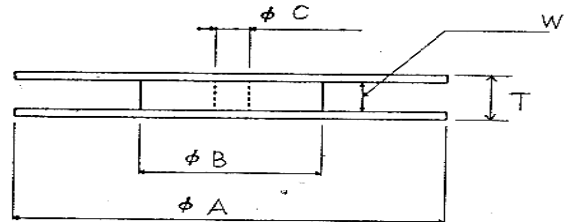
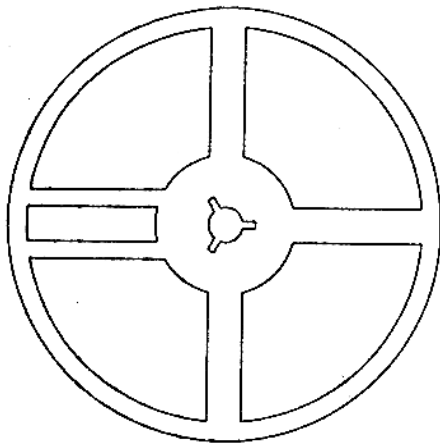
6/9

Packing	Type	A	B	W	F	E	P ₁	P ₂	P ₀	D ₀	T
Paper Tape	RB12	2.0±0.15	3.6±0.2	8.0±0.2	3.5±0.05	1.75±0.1	4.0±0.1	2.0±0.1	4.0±0.1	$\phi 1.5^{+0.1}_{-0}$	0.84±0.1

UNIT: mm

Type	Size	Paper Tape
		4 mm pitch
		180mm/R
RB	12	5000

8.2 Reel Specifications



Type	ϕA	ϕB	ϕC	W	T
RB04 / 06 RB10 / 12	180^{+0}_{-3}	60 min	13.0 ±1.0	9.0 ±1.0	11.4 ±2.0

UNIT: mm



Thin Film Chip Resistors (RB series Standard)

Document No

TRB-120S001B

Issued date

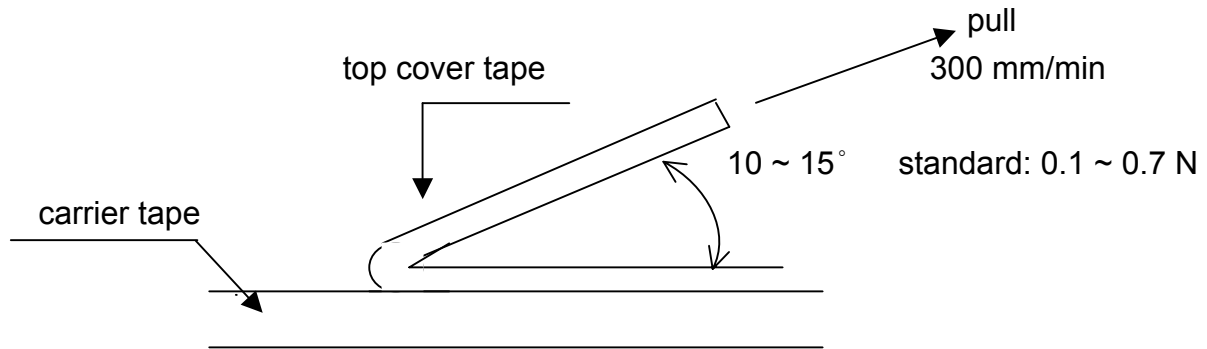
2007/12/27

page

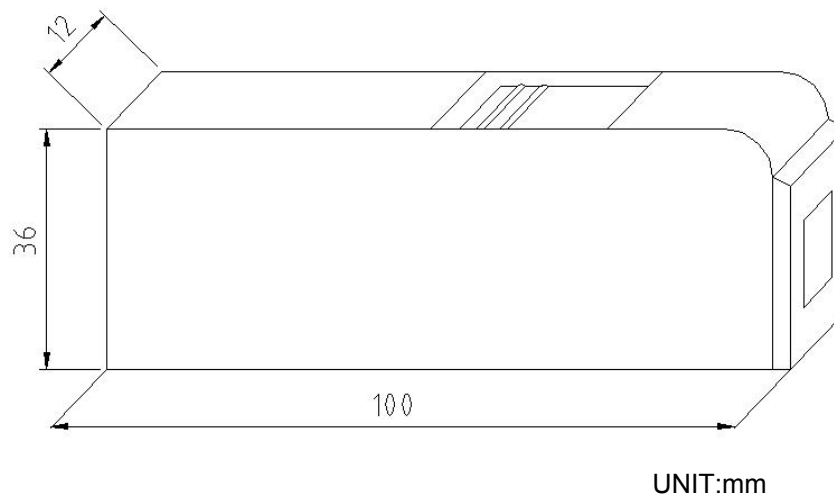
7/9

8.3 Peel – off force :

Peel – off force of paper and blister tape is in accordance with “JIS ”
that is , 0.1 to 0.7 N at a peel-off speed of 300 mm / minute.



9. Bulk Case Specifications:



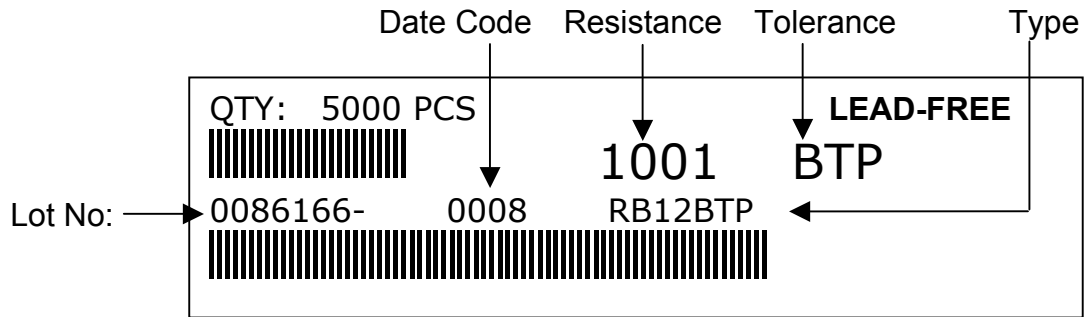


**Thin Film Chip Resistors
(RB series Standard)**

Document No	TRB-120S001B
Issued date	2007/12/27
page	8/9

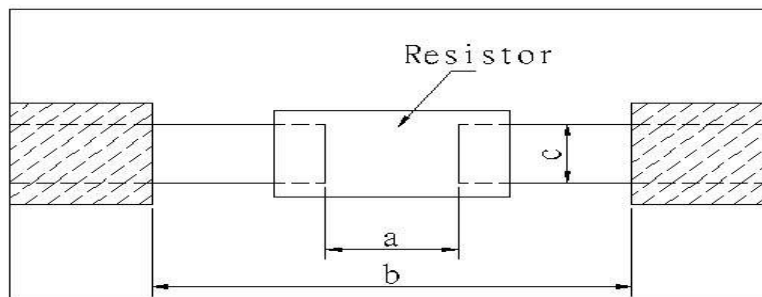
10. Label

10.1 Normal Products :



Manufacture Label

11. Recommended land patterns



Land pattern		Dimension (mm)		
		a	b	c
Type	Size			
RB	12 (1206)	2.0 ~ 2.4	4.4 ~ 5.0	1.2 ~ 1.8

12. ECN

Engineering Change Notice: The customer will be informed with ECN if there is significant modification on the characteristics and materials described in Approval Sheet.



Thin Film Chip Resistors (RB series Standard)

Document No

TRB-120S001B

Issued date

2007/12/27

page

9/9

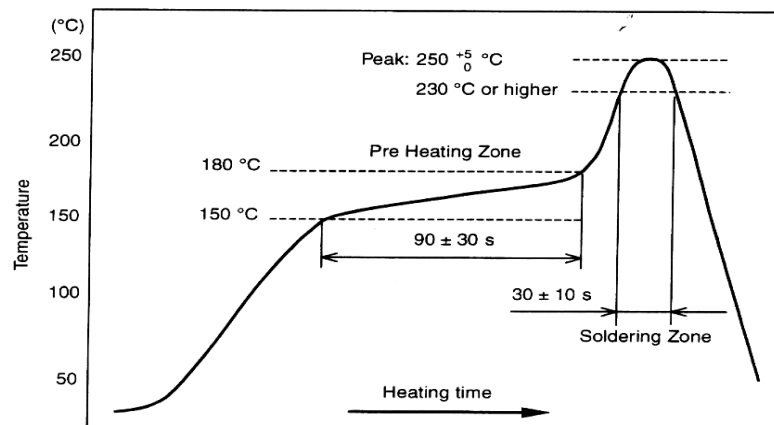
13. Storage Conditions:

Temperature: 5°C~35°C, Humidity: 40%~75%

14. Shelf Life:

2 years from manufacturing date.

15. Recommend IR – Reflow profile : (solder : Sn96.5 / Ag3 / Cu0.5)



Peak : 250 $\begin{matrix} +5 \\ -0 \end{matrix}$ °C , 5 sec

Pre – heat Zone : 150 to 180 °C , 90±30 sec

Soldering Zone : 230°C or higher , 30±10 sec

16. Manufacturing Country & City:

TA-I TECHNOLOGY CO., LTD. (Taiwan– Taoyuan)

Tel: 886-3-3246169 Fax : 886-3-3247410

Associated companies :

(1) FORTUNE TASK RESISTOR FACTORY (China - Kwangtung)

Tel : 86-769-83394790 Fax : 86-769-83394794

(2) TA-I TECHNOLOGY (SU ZHOU) CO., LTD. (China – Jiang-Su)

Tel :86- 512-63457879 Fax : 86-512-63457869

(3) TAI OHM ELECTRONICS (M) SDN. BHD. (Malaysia – Pulaupinang)

Tel :604- 3900480 Fax : 604-3901481

(4) P.T.TAI ELECTRONICS Indonesia (Indonesia – Jakarta)

Tel :002-62-21-89830123 Fax : 002-62-21-89830703