

Surface Mount Sense Resistors

OARS Series

- Flexible leads for thermal expansion
- Resistance wire TCR ± 20 ppm/ $^{\circ}\text{C}$
- Tolerance down to 1%
- Values down to $3\text{m}\Omega$



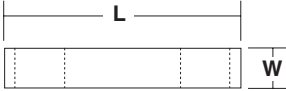
Electrical Data


		OARS-1
Power rating	watts	1 @ 85°C 2 @ 25°C
Resistance range	ohms	.003, .004, .005, .010, .015, .020, .025, .030, .040, .050

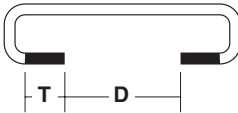
*Contact factory for values outside these specifications

Physical Data

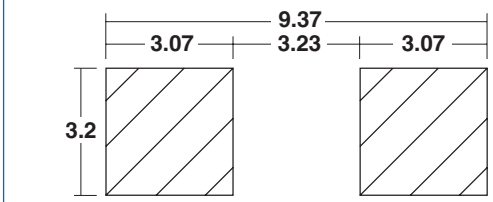
Dimensions (mm)					
Type	L	H	T	D	W
OARS-1	11.18 ± 0.381	3.05 ± 0.762	2.36 ± 0.254	4.83 ± 0.762	3.175 $_{\text{max}}$







Recommended pad dimensions (mm)



Performance Data

Operating Characteristics		Maximum
Load life: 1000 hrs at 70°C	$\Delta\text{R}\%$	1
Moisture no load 1000 hrs	$\Delta\text{R}\%$	1
Temperature Cycle 1000 cyc at -40°C and +125°C	$\Delta\text{R}\%$	1

Features

- Superior thermal expansion cycling
- Inductance less than 10 nanohenries
- Flameproof
- Solderable pads (solder plated)
- Lead flexible for thermal expansion
- Low termination stress ('J' leads) applications

Applications

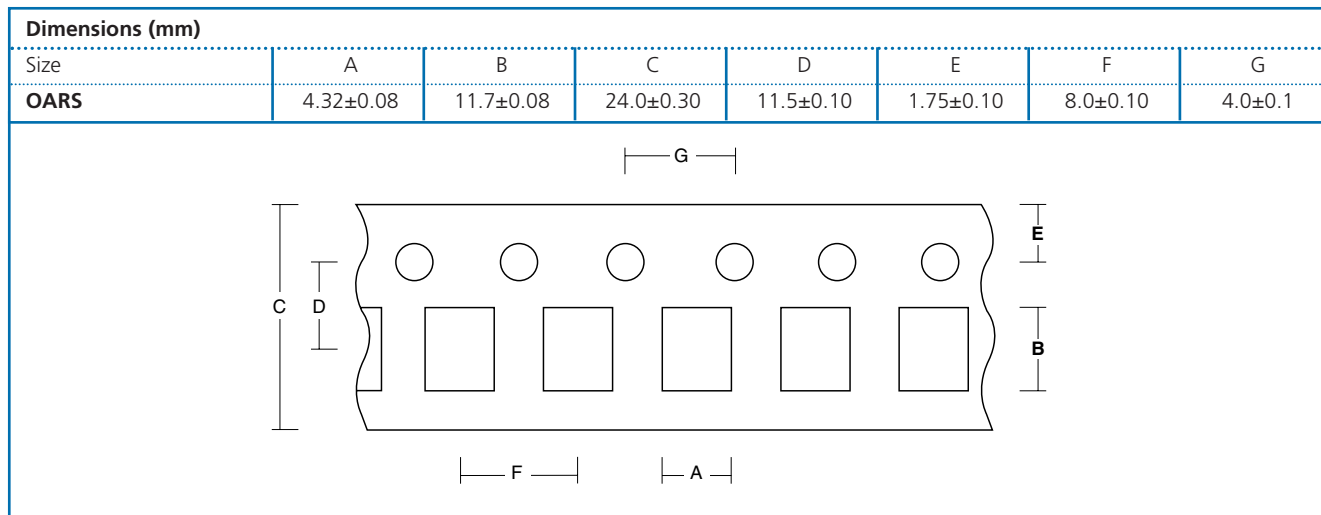
- Current sensing
- Feedback
- Low inductance
- Surge and pulse
- AC applications

General Note

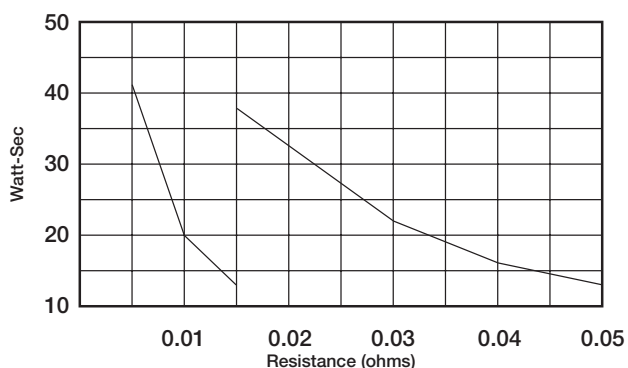
Welwyn Components reserves the right to make changes in product specification without notice or liability. All information is subject to Welwyn's own data and is considered accurate at time of going to print.

© Welwyn Components Limited · Bedlington, Northumberland NE22 7AA, UK
 Telephone: +44 (0) 1670 822181 · Facsimile: +44 (0) 1670 829465 · Email: info@welwyn-tt.com · Website: www.welwyn-tt.com

Packaging Data



OARS Pulse Handling



Packaging

Resistors are supplied taped and reeled.

1,900 pcs per reel.

Ordering Procedure

Specify type reference, value and tolerance as shown in this example of OARS-1 R05 1%:

Type **OARS-1** **R05** **F**

Resistance value
(IEC62 code)

Tolerance
(IEC62 code)

F	1%
G	2%
J	5%