

# Right-angle through hole type modular jack for PCB MOD-J6( )DA( )A+

**Modular connector**

**For PCB**

**Right-angle Through hole**

**FCC Standard**

RoHS

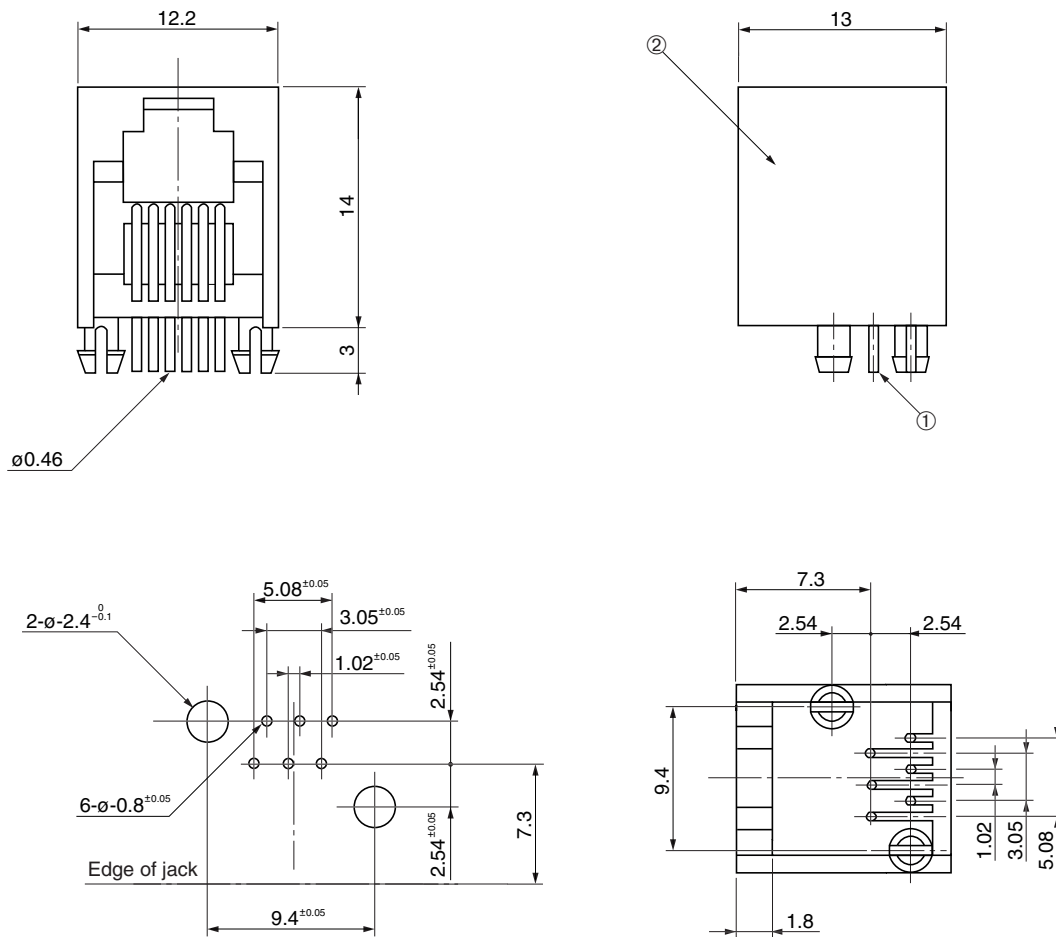


● Configuration of product Part No.

## MOD- J 6 ( ) DA ( ) A+

① ② ③ ④ ⑤ ⑥

- ① Series name
- ② Jack
- ③ Opening size: For 6 contacts
- ④ No. of contacts  
2: 6-2 Jack  
4: 6-4 Jack  
6: 6-6 Jack
- ⑤ Type of contact  
Right-angle through hole type
- ⑥ Contact plating  
03: Min. 0.3 μm Gold plate  
10: Min. 1.0 μm Gold plate



● Components

①	Contacts
②	Insulator

Mating connectors: 6-2, 6-4, 6-6 modular plug

Accessory: Cap: MOD-6C( )