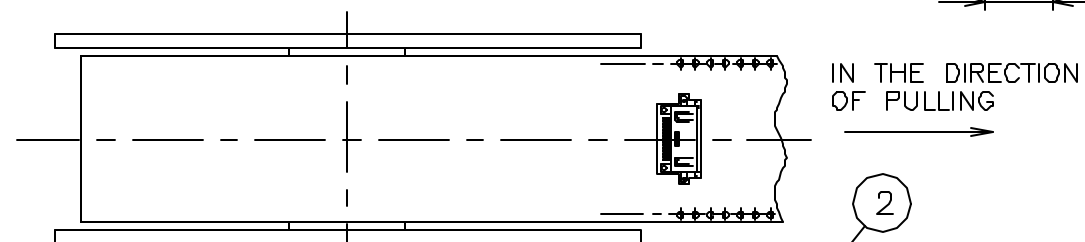
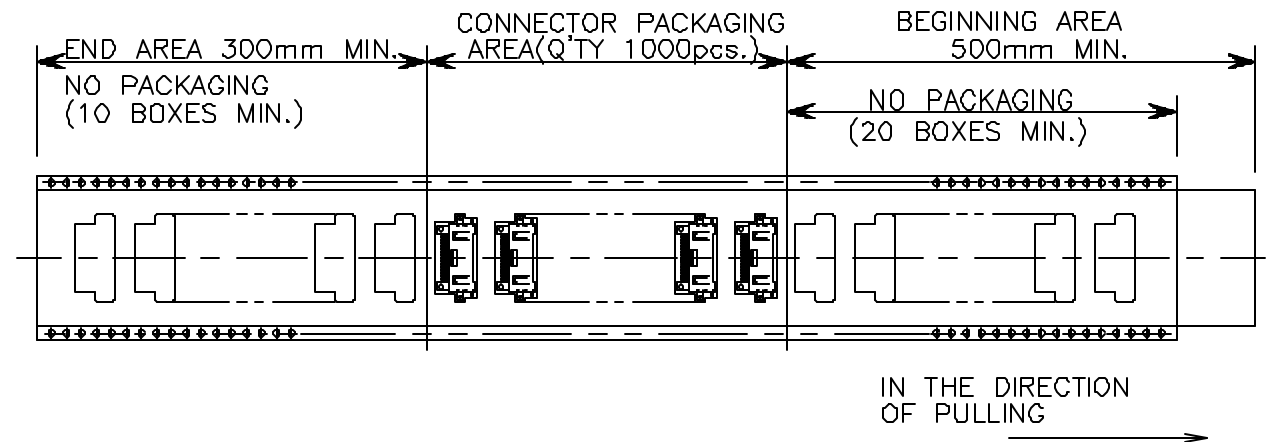
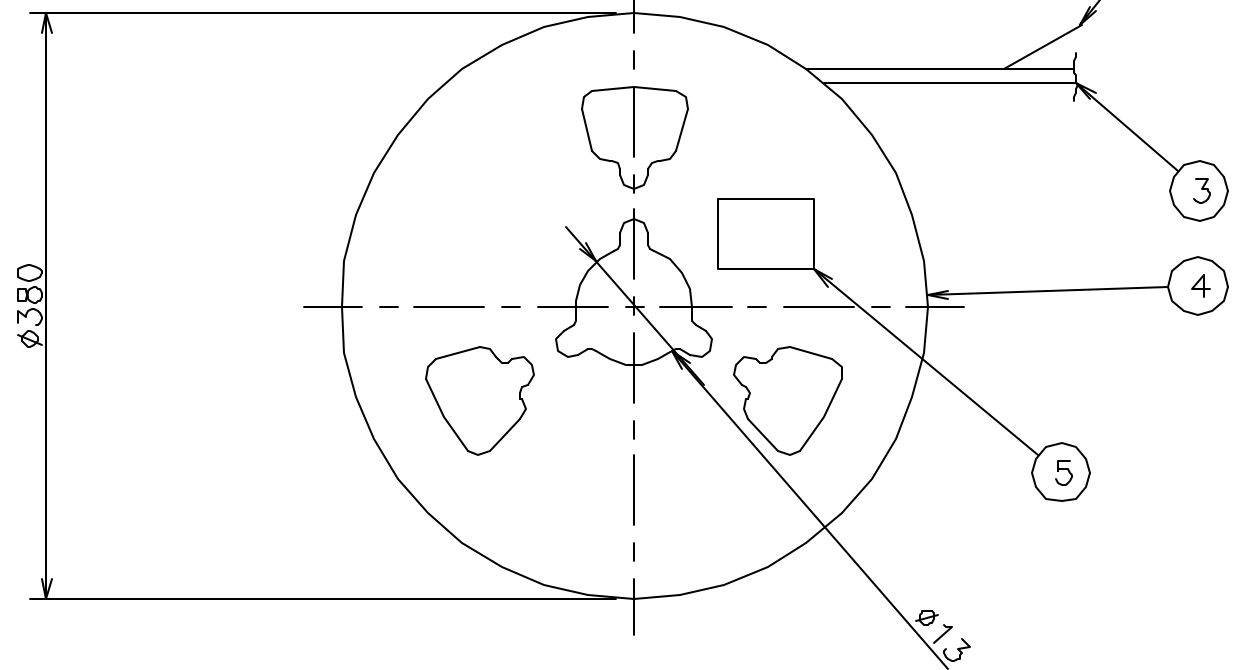


DETAIL A



PART No.	CONNECTOR PART No.
RMC-E15MY-OM-MA-TP	RMC-E15MY-OM-MA
RMC-E15MY-OM-MA1-TP	RMC-E15MY-OM-MA1
RMC-E15MY-OM-MA2-TP	RMC-E15MY-OM-MA2
RMC-E15MY-OM-MA3-TP	RMC-E15MY-OM-MA3

HONDA
PRINT RM
APR.9.1998
ISSUED



△				5	LABEL	PAPER	1			
△				4	REEL	PAPER	1			
△				3	EMBOSSD TAPE	A PET	1			
△				2	COVER TAPE	P.E.	1			
△				1	CONNECTOR		1000			
LTR.	DATE	BY	REV.	DESCRIPT	NO.	PART NAME	MATERIAL	QTY	FINISH	NOTE

DATE	SCALE	UNIT	3RD . A . P	HONDA TSUSHIN KOGYO., LTD.		
APR.8 (1996)	2/1	mm(INCH)		NAME	RMC-EA15POS. MALE CONNECTOR WITH EMBOSSD TAPE AND REEL	
DR.	DE.	CHK.	CHK.	APP.	PART NO.	RMC-E15MY-OM-MA()-TP

RMC-E15MY-OM-MA1-TP 'E'