

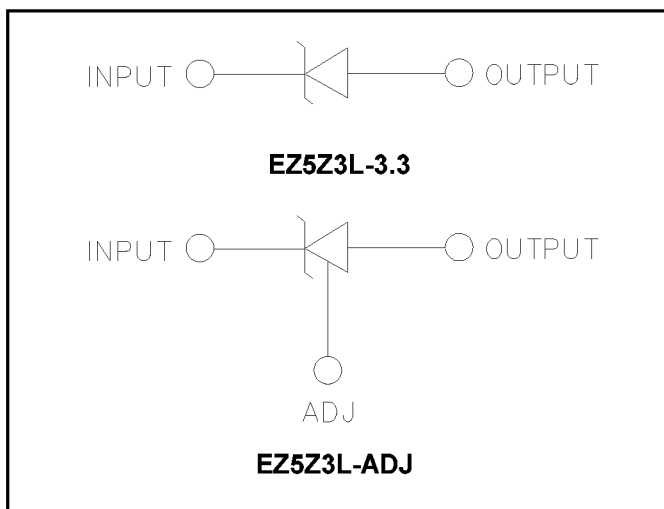
April 13, 1998

TEL:805-498-2111 FAX:805-498-3804 WEB:http://www.semtech.com

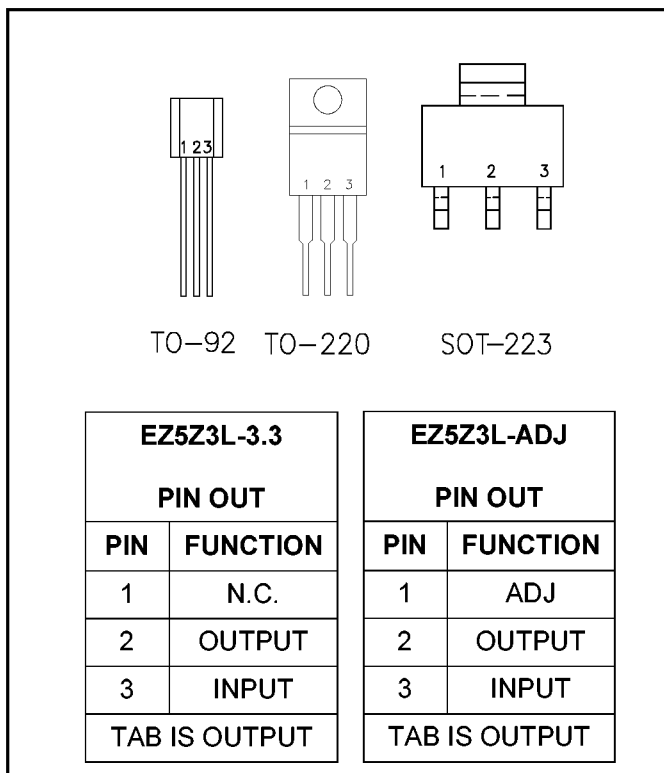
## DESCRIPTION

The EZ5Z3L voltage converters are innovative 2 terminal devices that accept a regulated 5.0V input and reduce it to 3.3V over a range of 5mA to 250mA. The EZ5Z3L-ADJ is an adjustable 3 terminal model allowing output voltage trimming.

## SYMBOLS



## PIN CONFIGURATIONS



## FEATURES

- External components not required
- Heatsink not required
- 2 simple connections
- 250mA output current
- Generates no EMI or spikes
- TO-92, TO-220 and SOT-223 packages
- Drops 5V to 3.3V, ADJ

## ORDERING INFORMATION

DEVICE	$V_{IN}$	PACKAGE	$V_{OUT}$ VOLTS
EZ5Z3L - T3.3	5	TO-220	3.3
EZ5Z3L - TADJ			ADJ
EZ5Z3L - S3.3	5	SOT-223 <sup>(2)</sup>	3.3
EZ5Z3L - SADJ			ADJ
EZ5Z3L - Z3.3	5	TO-92 <sup>(2)</sup>	3.3
EZ5Z3L - ZADJ			ADJ

Notes:

- (1) Contact factory for additional voltage options.
- (2) Add suffix 'TR' for tape and reel (SOT-223, TO-92). Add suffix 'TA' for ammo pack (TO-92).

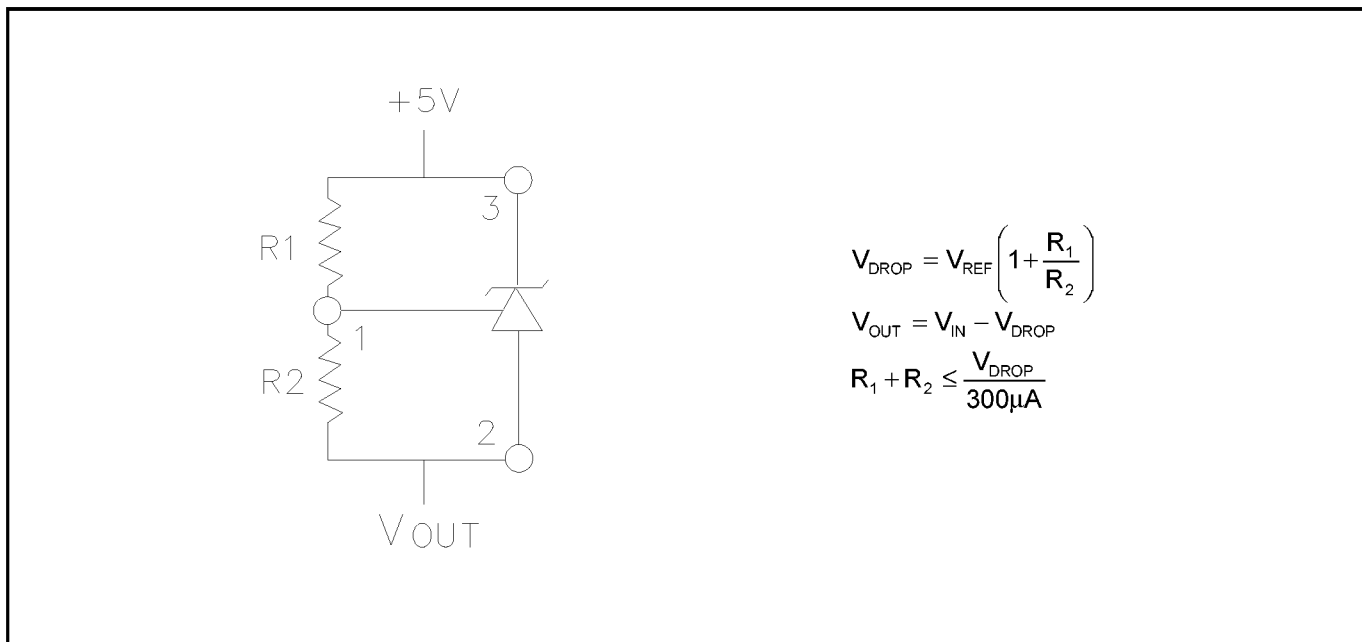
## ABSOLUTE MAXIMUM RATINGS

Parameter	Symbol	Maximum	Units
Power Dissipation	$P_D$	0.5	W
Continuous Current	$I_C$	250	mA
Thermal Resistance Junction to Case TO-220 SOT-223 TO-92	$\theta_{JC}$	15 15 83	°C/W
Thermal Resistance Junction to Ambient TO-220 SOT-223 TO-92	$\theta_{JA}$	50 156 200	°C/W
Operating Junction Temperature Range	$T_J$	-40 to 150	°C
Storage Temperature Range	$T_{STG}$	-65 to 150	°C
Lead Temperature (Soldering) 10 Sec	$T_{LEAD}$	260	°C

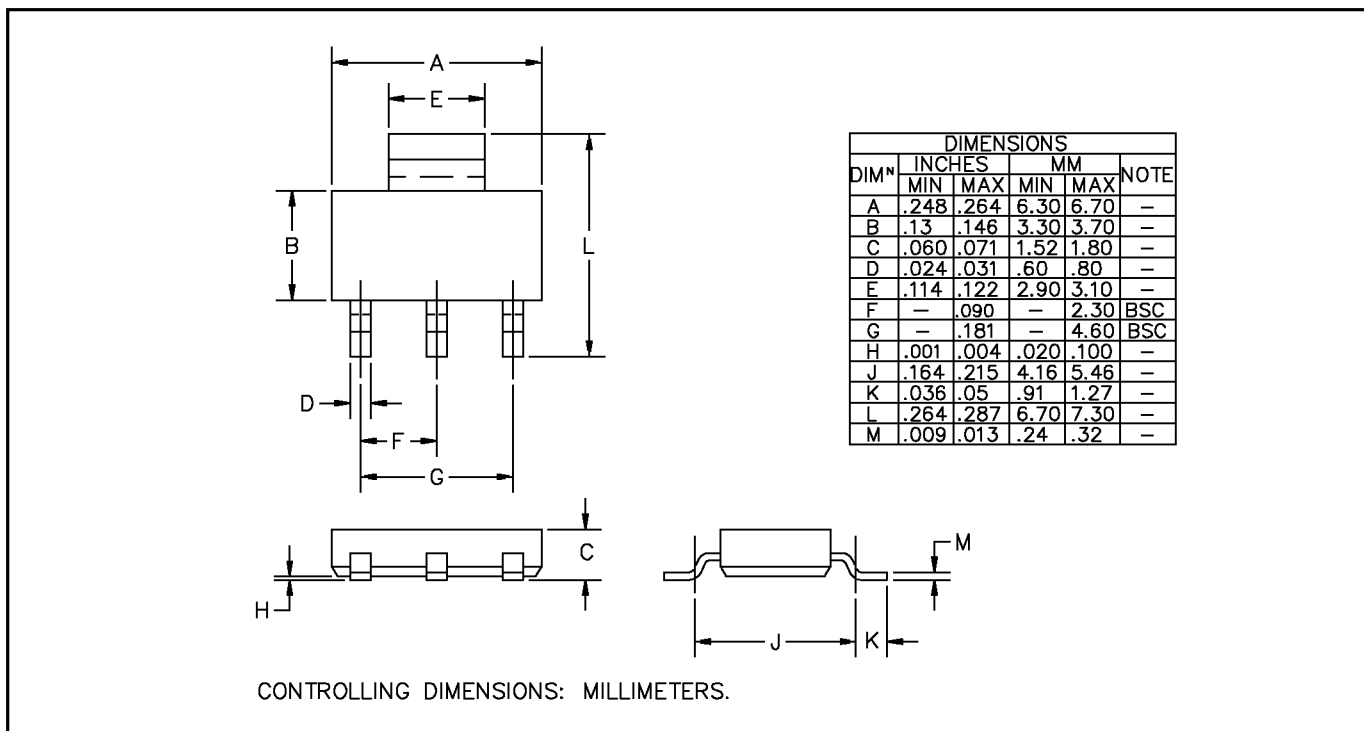
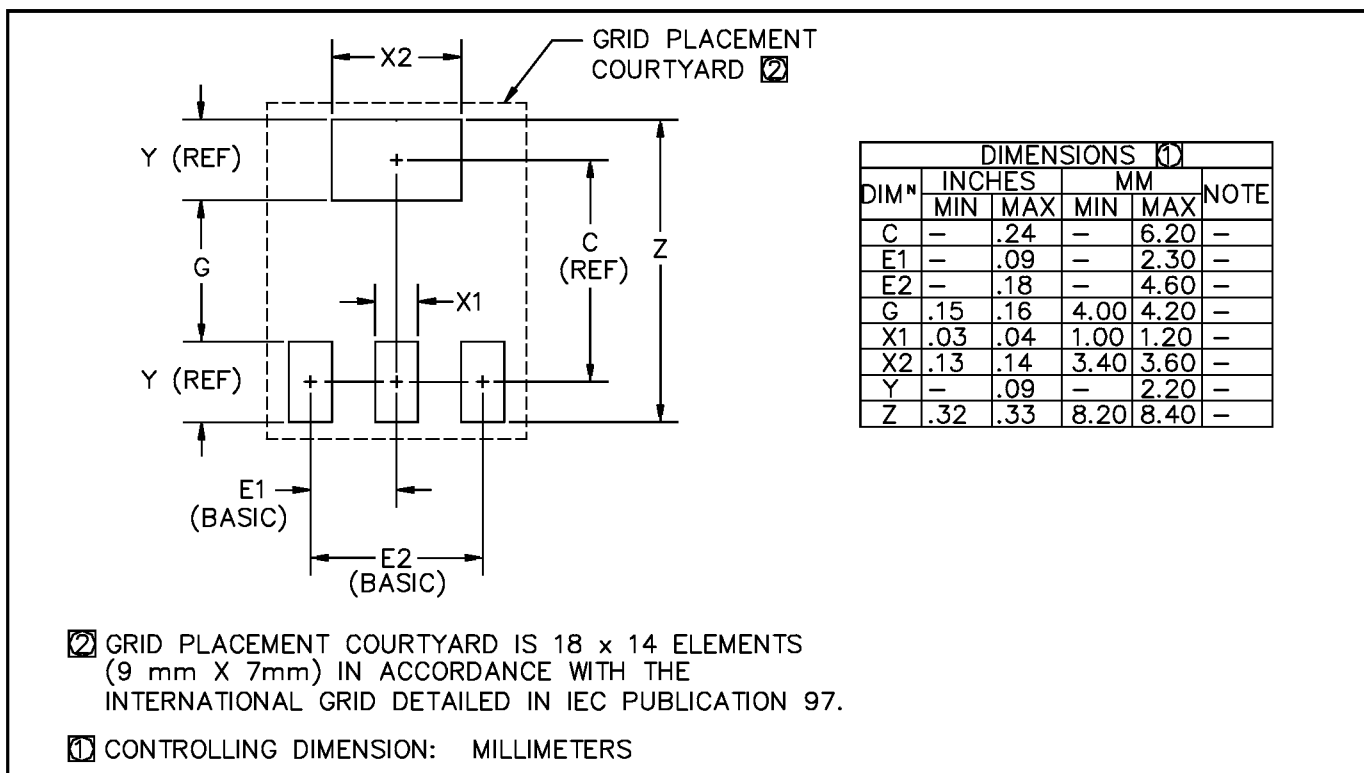
April 13, 1998

**ELECTRICAL CHARACTERISTICS**

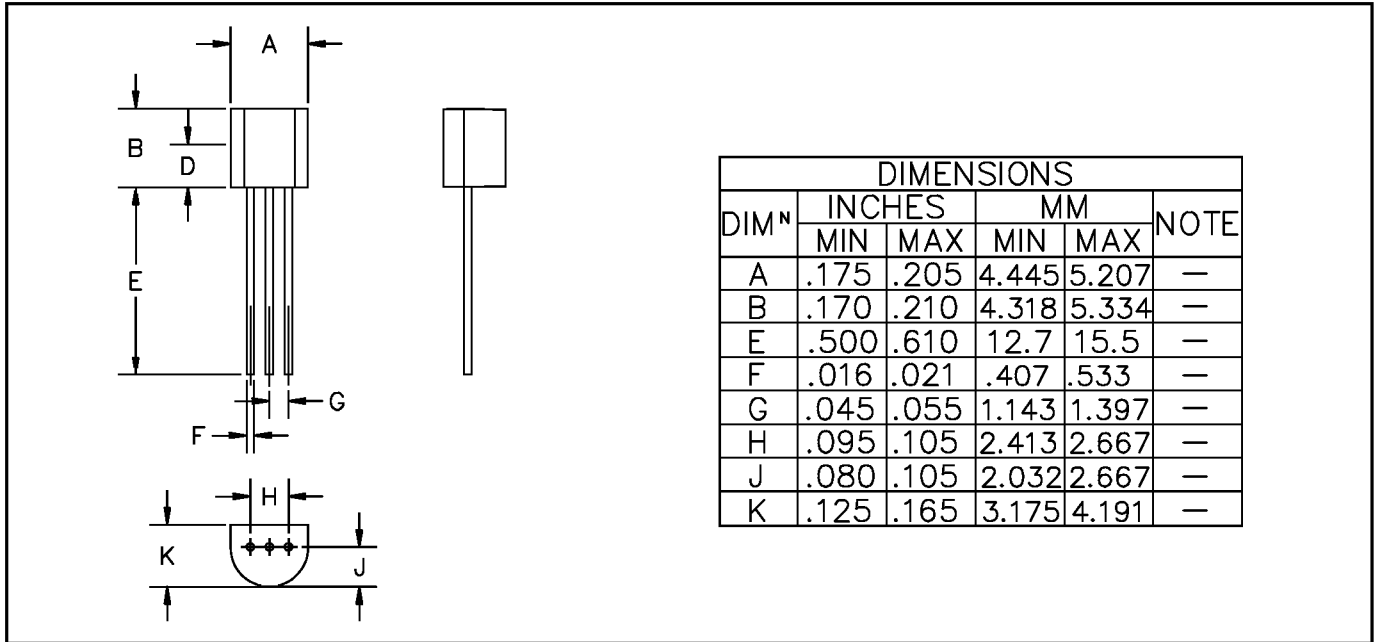
Parameter	Symbol	Test Conditions			Test Limits			Units
		V <sub>IN</sub>	I <sub>o</sub>	T <sub>J</sub>	Min	Typ	Max	
EZ5Z3L-3.3	V <sub>O</sub>	5V	125mA	25°C	3.20	3.30	3.39	V
			5mA to 250mA	-40 to 125°C	3.13	3.30	3.46	
EZ5Z3L-ADJ	V <sub>REF</sub>	5V	125mA	25°C	1.21	1.25	1.28	V
			5mA to 250mA	-40 to 125°C	1.18	1.25	1.31	
Regulation	REG <sub>(LOAD)</sub>	5V	5mA to 250mA	25°C		0.5	1.0	% V <sub>O</sub>
Temp. Coefficient	T <sub>C</sub>	5V	125mA	-40 to 125°C		0.005	0.01	% V <sub>O</sub> / °C

**ADJUSTING EZ5Z3L-ADJ**


April 13, 1998

**DEVICE OUTLINE - SOT-223**

**LAND PATTERN - SOT-223**


April 13, 1998

**DEVICE OUTLINE - TO-92**

**DEVICE OUTLINE - TO-220**
