

# SMD Type Crystal Resonators

## DMX-38(AT)



### ■ Features

- Surface mount type of AT-38 crystal resonators with mold package.
- Good for automatic mounting and reflow soldering.

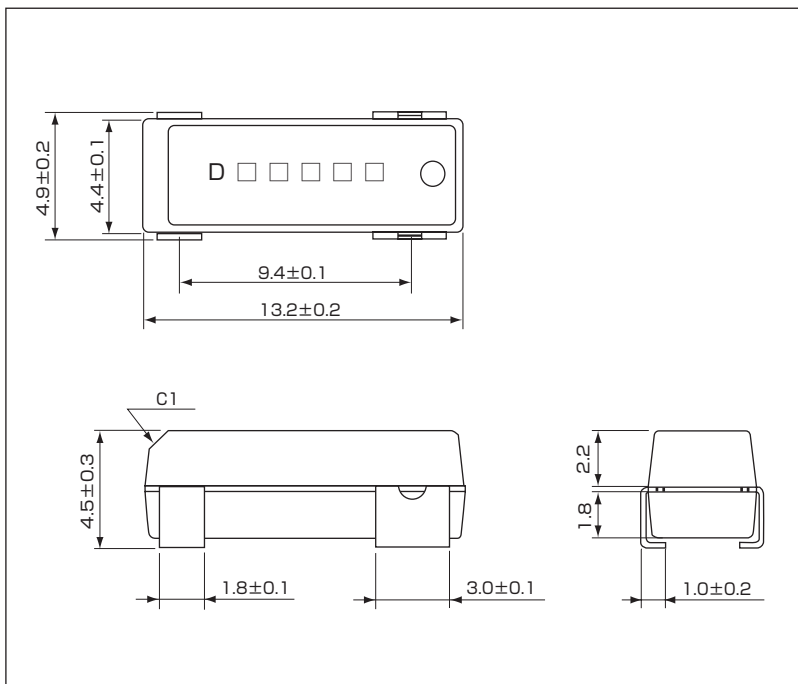
### ■ Generic Specification

Item	Type	DMX-38(AT)
Frequency Range		3.57~40MHz
Vibration Mode		Fundamental, 3rd overtone
Load Capacitance		Series 12pF, 16pF, 20pF, 32pF (Fund.) 8pF, 10pF, 12pF, 16pF (3rd)
Drive Level		Fund : 10μW (300μW max.) 3rd : 50μW (1mW max.)
Frequency Tolerance		$\pm 50 \times 10^{-6}$ , $\pm 100 \times 10^{-6}$ (at 25°C)
Series Resistance		40~300Ω
Frequency Characteristics over Temperature		$\pm 50 \times 10^{-6}$ , $\pm 100 \times 10^{-6}$ / -40~+85°C (Ref. to 25°C)
Storage Temperature Range		-40~+85°C
Aging		$\pm 5 \times 10^{-6}$ max./year

Packing Unit : 1000pcs./reel

Consult our sales representative for other specifications or special specifications.

### ■ Dimensions [mm]



### ■ Internal Connections

<Top View>



### ■ Recommended Land Pattern [mm]

