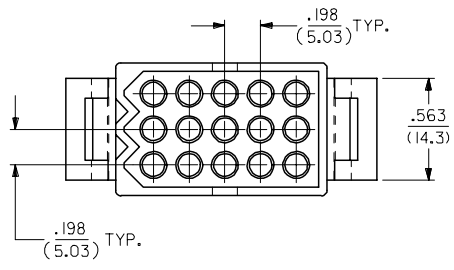
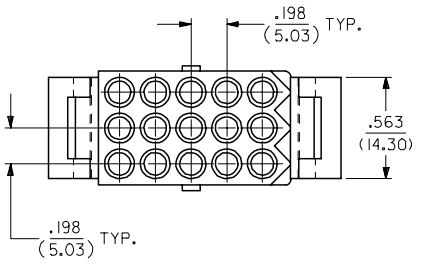
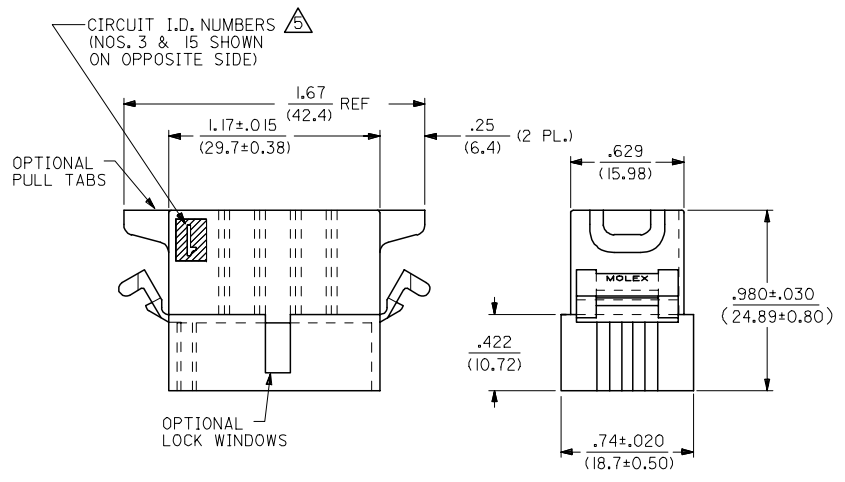
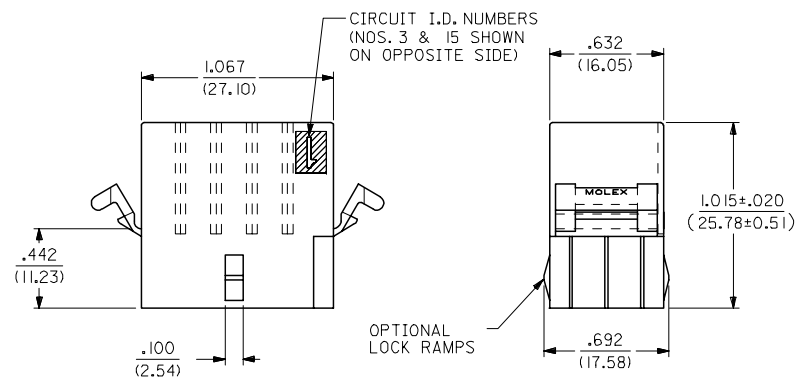
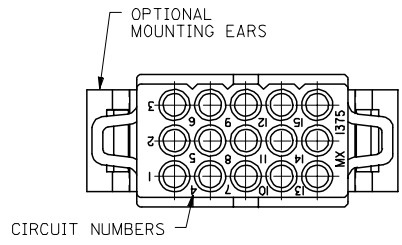
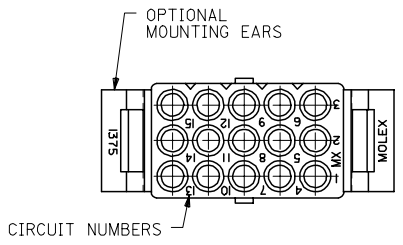


13 12 11 10 9 8 7 6 5 4 3 2 1

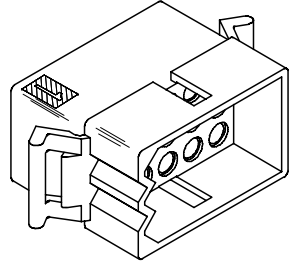
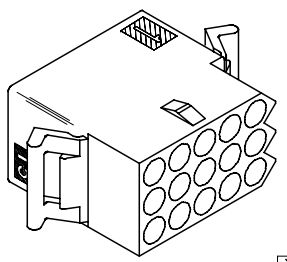
J
I
H
G
F
E
D
C
B
A

J
I
H
G
F
E
D
C
B
A



RECEPTACLE

PLUG



UPDATE TITLE BLOCK EC NO: UCP2007-2415 DRWNAELHAG 2007/04/17 CHKD:LSHMDT 2007/05/03 APPR:FSMTH 2007/05/03	QUALITY SYMBOLS 	GENERAL TOLERANCES (UNLESS SPECIFIED)		DIMENSION STYLE		SCALE	DESIGN UNITS	THIRD ANGLE PROJECTION		
				IN/MM		2:1	INCH			
		4 PLACES ±---	±---	DRAWN BY	DATE	TITLE				
		3 PLACES ±---	±.010	KBW	01/14/1989	.093/(2.36) HOUSINGS PLUG & RECEPTACLE 15 CIRCUIT,.198/(5.03)CL				
2 PLACES ±0.25	±.014	CHECKED BY	DATE	MOLEX INCORPORATED						
1 PLACE ±0.35	±---	RW	01/14/1989							
ANGULAR ±1/2°		APPROVED BY	DATE	MATERIAL NO.		DOCUMENT NO.		SHEET NO.		
		RAS	01/14/1989	SEE CHART		SD-1375-*		1 OF 2		
DRAFT WHERE APPLICABLE MUST REMAIN WITHIN DIMENSIONS				SIZE		THIS DRAWING CONTAINS INFORMATION THAT IS PROPRIETARY TO MOLEX INCORPORATED AND SHOULD NOT BE USED WITHOUT WRITTEN PERMISSION				
AE				C						

12 11 10 9 8 7 6 5 4 3 2 1

PLUG				RECEPTACLE		
ORDER NO	ENG NO	PACKAGING		ORDER NO	ENG NO	PACKAGING
03-09-2151	I375-P	PK-1375-001		03-09-1151	I375-R	PK-1375-001
03-09-2159	I375-P4	PK-1375-002		03-09-1152	I375-R1	PK-1375-001
03-09-2158	I375-P7	PK-1375-001		03-09-1154	I375-R6	PK-1375-001
03-09-7158	I375-P7BK	PK-1375-001	OBSOL.	03-09-1157	I375-R6-1	PK-1375-001
				03-09-6154	I375-R6BK	PK-1375-001

LEGEND FOR PLUG:

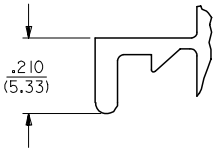
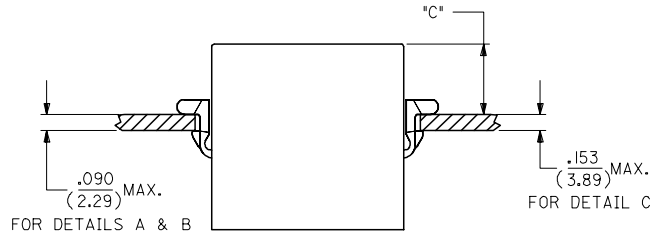
1375-P***
 OPTIONS: _____
 BLANK = W/O EARS, W/ PULL TABS, W/O LOCK WINDOWS
 2 = W/ STANDARD EARS, W/O PULL TABS, W/O LOCK WINDOWS
 4 = W/ PREBENT EARS, W/O PULL TABS, W/ LOCK WINDOWS
 6 = W/O EARS, W/O PULL TABS, W/ LOCK WINDOWS
 7 = W/O EARS, W/ PULL TABS, W/ LOCK WINDOWS
 8 = W/ PREBENT EARS, W/O PULL TABS, W/O LOCK WINDOWS

COLOR: _____
 BLANK = NATURAL COLOR
 AM = AMBER BK = BLACK BU = BLUE
 BN = BROWN GY = GRAY GN = GREEN
 OR = ORANGE RD = RED YW = YELLOW

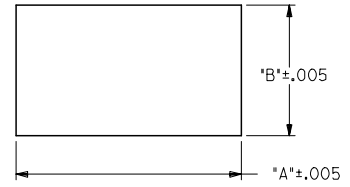
LEGEND FOR RECEPTACLE:

1375-R***
 OPTIONS: _____
 BLANK = W/ PREBENT EARS, W/O LOCK RAMPS
 1 = W/O EARS, W/O LOCK RAMPS
 6 = W/ STANDARD EARS & LOCK RAMPS
 6-1 = W/O EARS, W/ LOCK RAMPS

COLOR: _____
 BLANK = NATURAL COLOR
 AM = AMBER BK = BLACK BU = BLUE
 BN = BROWN GY = GRAY GN = GREEN
 OR = ORANGE RD = RED YW = YELLOW

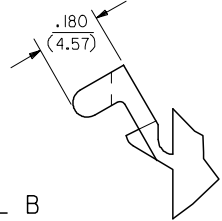
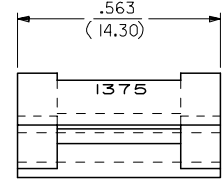


DETAIL A
 .093/(2.36) STANDARD MOUNTING EAR
 (SCALE 4:1)



RECOMMENDED PANEL OPENING

HOUSING	DIM. *A*	DIM. *B*	*C* PREBENT EAR	*C* STANDARD EAR	*C* SPECIAL EAR
PLUG	1.343/(34.11)	.760/(19.30)	.40/(10.2)	.36/(9.1)	
RECEPT. W/ RAMPS	1.240/(31.50)	.725/(18.42)	.41/(10.4)	.37/(9.4)	.31/(7.8)
RECEPT. W/O RAMPS	1.240/(31.50)	.655/(16.64)	.41/(10.4)	.37/(9.4)	.31/(7.8)



DETAIL B
 .093/(2.36)PREBENT MOUNTING EAR
 (SCALE 4:1)

NOTES :

1. MATERIAL : NYLON TYPE 6/6, 94V-2.
2. FINISH : NONE.
3. PRODUCT SPECIFICATION : PS-02-09.
4. PACKAGING INFORMATION : SEE CHART.
5. ETCHED CIRCUIT I.D. NUMBERS ON SIDE OF HOUSINGS TO BE PRESENT ON PARTS FROM TOOLS BUILT AFTER 2/28/94.
6. PARTS CONFORM TO CLASS B REQUIREMENTS OF COSMETIC SPECIFICATION PS-45499-002.

ADD NOTES 2, 4 & 6
 EC NO: UCP2007-2415
 DRWNAELHAG 2007/04/17
 CHKD:LSHM DT 2007/05/03
 APPR:FSM TH 2007/05/03

QUALITY SYMBOLS 	GENERAL TOLERANCES (UNLESS SPECIFIED)	DIMENSION STYLE IN/MM	SCALE 1:1	DESIGN UNITS INCH	THIRD ANGLE PROJECTION																				
	<table border="0"> <tr> <td></td> <td>mm</td> <td>INCH</td> <td>DRAWN BY KBW</td> <td>DATE 6/14/1989</td> <td>TITLE .093/(2.36) HOUSINGS PLUG & RECEPTACLE 15 CIRCUIT, .198/(5.03)CL</td> </tr> <tr> <td>4 PLACES</td> <td>± ---</td> <td>± ---</td> <td>CHECKED BY RW</td> <td>DATE 6/14/1989</td> <td rowspan="3"> MOLEX INCORPORATED DOCUMENT NO. SD-1375-* SHEET NO. 2 OF 2 </td> </tr> <tr> <td>3 PLACES</td> <td>± ---</td> <td>± .010</td> <td>APPROVED BY RAS</td> <td>DATE 6/14/1989</td> </tr> <tr> <td>2 PLACES</td> <td>± 0.25</td> <td>± .014</td> <td>MATERIAL NO.</td> <td>SIZE C</td> </tr> </table>		mm	INCH	DRAWN BY KBW	DATE 6/14/1989	TITLE .093/(2.36) HOUSINGS PLUG & RECEPTACLE 15 CIRCUIT, .198/(5.03)CL	4 PLACES	± ---	± ---	CHECKED BY RW	DATE 6/14/1989	MOLEX INCORPORATED DOCUMENT NO. SD-1375-* SHEET NO. 2 OF 2	3 PLACES	± ---	± .010	APPROVED BY RAS	DATE 6/14/1989	2 PLACES	± 0.25	± .014	MATERIAL NO.	SIZE C	DRAFT WHERE APPLICABLE MUST REMAIN WITHIN DIMENSIONS	SEE CHART
	mm	INCH	DRAWN BY KBW	DATE 6/14/1989	TITLE .093/(2.36) HOUSINGS PLUG & RECEPTACLE 15 CIRCUIT, .198/(5.03)CL																				
4 PLACES	± ---	± ---	CHECKED BY RW	DATE 6/14/1989	MOLEX INCORPORATED DOCUMENT NO. SD-1375-* SHEET NO. 2 OF 2																				
3 PLACES	± ---	± .010	APPROVED BY RAS	DATE 6/14/1989																					
2 PLACES	± 0.25	± .014	MATERIAL NO.	SIZE C																					