



PANEL MOUNT LED INDICATOR LAMPS FRESNEL LENS Ø10 mm

FEATURES

- unique fresnel lens, increasing brightness and viewing angle
- low profile panel mounting
- 5 superbright colours including AlGaAs Red
- rugged brass, black chromed body
- ESD protection for semi-conductors

APPLICATIONS

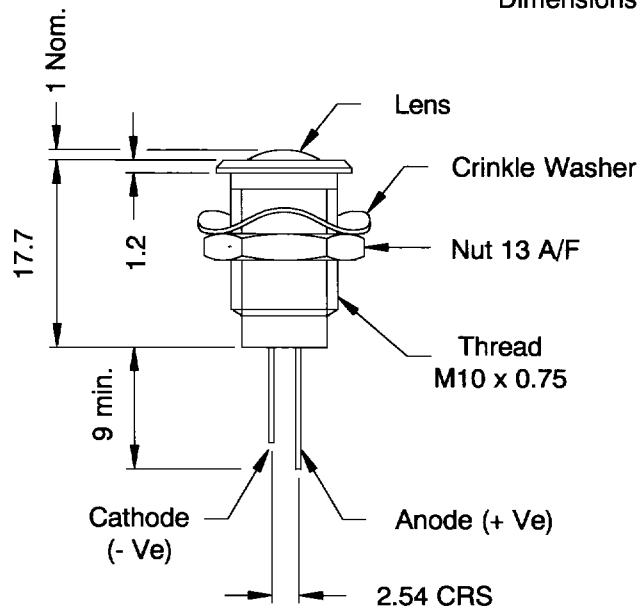
- industrial
- fail - safe - high reliability panel indicators
- high brightness alarm indications
- indoor/outdoor where a low level of sealing is required
- IPG5 splashproof

STYLES/OPTIONS

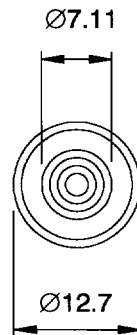
- tinted or water clear lens
- voltage options available
- sunlight readable
- 5 V to 28 V integral resistor options also available



Dimensions in mm



OXL/CLH/100/-/-



FRONT VIEW





PANEL MOUNT LED INDICATOR LAMPS FRESNEL LENS Ø10 mm

OPTICAL CHARACTERISTICS

Type No.	Luminous Intensity Typical (mcd @ 20 mA)						
	AlGaAs RED	RED	AMBER	YELLOW	GREEN	BLUE	WHITE
OXL/CLH/100	300	120	130	250	250	200	100
OXL/CLH/100/CL	370	140	135	290	290	230	115

Note: Bi-colour LEDs and High Intensity Colours available including blue and white, contact our Sales Department for more information.

OXL/CLH/100 Figures above, refer to coloured lens.
OXL/CLH/100/CL Figures above, refer to a water clear lens.

ELECTRICAL CHARACTERISTIC (All types)

	AlGaAs RED	RED	AMBER	YELLOW	GREEN	BLUE	WHITE
Forward current (mA) max. /typ.	30/20	30/25	30/25	30/20	30/25	30/20	30/20
Forward voltage (V) typ. @ 20 mA	1.8	2.2	2.2	2.2	2.3	3.6	3.6
Reverse voltage (V) max.	5	5	5	5	5	5	5

ENVIRONMENTAL

Operating and storage temperature : -20°C to 70°C

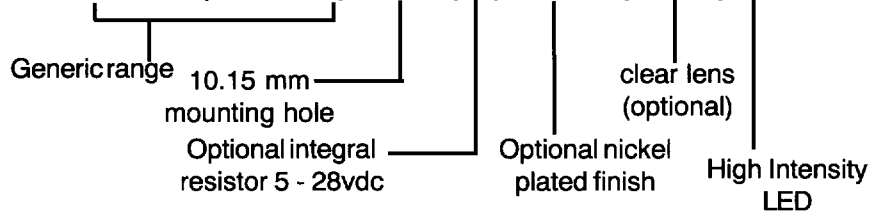
MOUNTING DETAILS

Mounting Hole diameter : ??
Chassis thickness : 1.5 mm min. ?? mm max
Recommended mounting torque : 1 Nm

MATERIALS

Body : Brass - black chromed
 : Brass - nickel plated
Nut : Aluminium alloy
Terminations : Silver plated or Tin Lead (solderability exceeds BS 2011. Test T)

OXL/CLH/100/-/NPL/CL/H



ORDERING INFORMATION

Please specify type no. and colour when ordering,
eg. OXL/CLH/100/CL AlGaAs red.

COMPANY APPROVALS

BS EN ISO 9001:1994 and QAS/34/61 REG No. FM 01759
CECC Approval No. M/0022, BS 9000 Approval No. 1048/M

European and International Patents

OXLEY® is a trademark of Oxley Developments Company Ltd.

®Registered

Oxley Developments Company Ltd., Priory Park, Ulverston, Cumbria, England, LA12 9QG
Tel: (01229) 582621 Fax: (01229) 585090 E-mail: contact@oxley.co.uk www.oxleygroup.com

Oxley Inc. 25 Business Park Drive, PO Box 814, Branford, CT 06405, USA
Tel: (203) 488-1033 Fax: (203) 481-6971