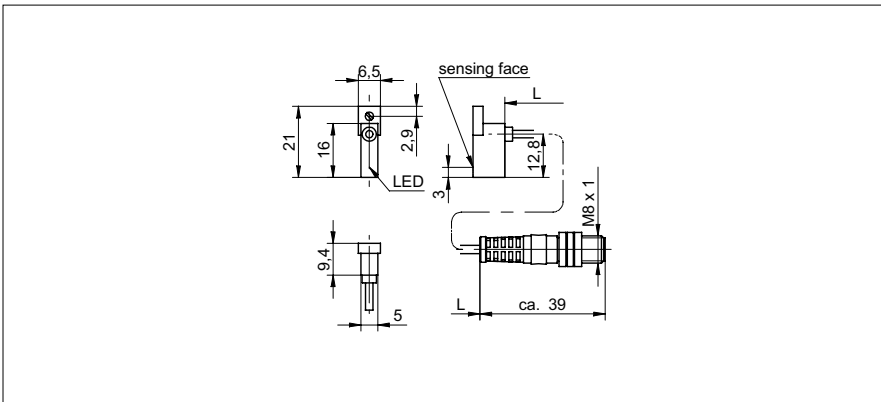


Magnetic cylinder sensors

MZTK 06N1012/KS35D

dimension drawing



general data

type	magneto-resistive
version	T-slots
nominal operation point	2 mT
difference ON-OFF	0,5 ... 1,5 mT
output indicator	LED yellow

electrical data

switching frequency	< 200 kHz
response time / release time	< 0,0025 ms
output circuit	NPN
output current	< 200 mA
voltage supply range +Vs	5 ... 30 VDC
output function	normally open (NO)
voltage drop Vd	< 1 VDC
reverse polarity protection	yes

mechanical data

cable output	lateral
connection types	flylead connector PUR M8, L=300 mm
type	rectangular
depth	21 mm
width / diameter	6,5 mm
height / length	9,4 mm
housing material	PA66

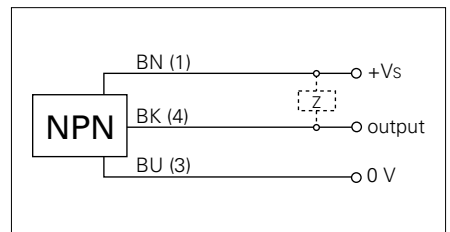
ambient conditions

operating temperature	-10 ... +70 °C
protection class	IP 67

photo



connection diagram



- Oil- and salt water climate resistant